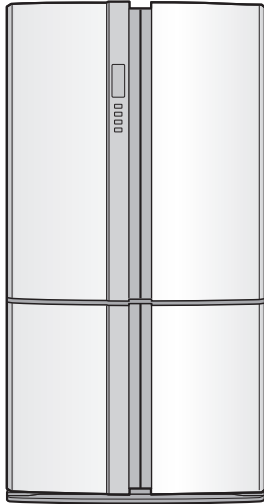


SHARP PARTS GUIDE



SJ-FX680V-ST/WH
SJ-FX630V-ST

Refrigerator-freezer

MODELS

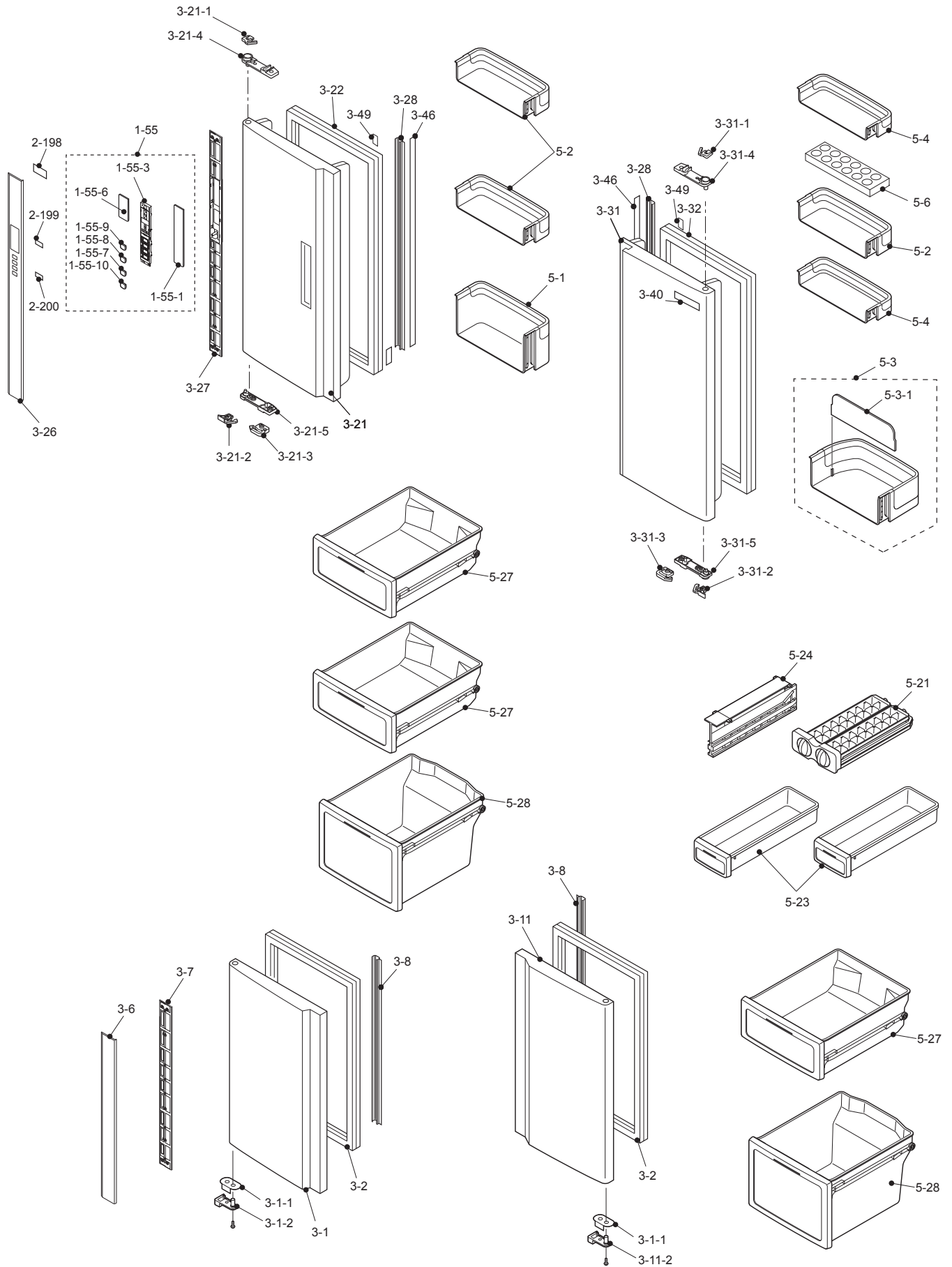
SJ-FX680V-ST/WH

SJ-FX630V-ST

CONTENTS

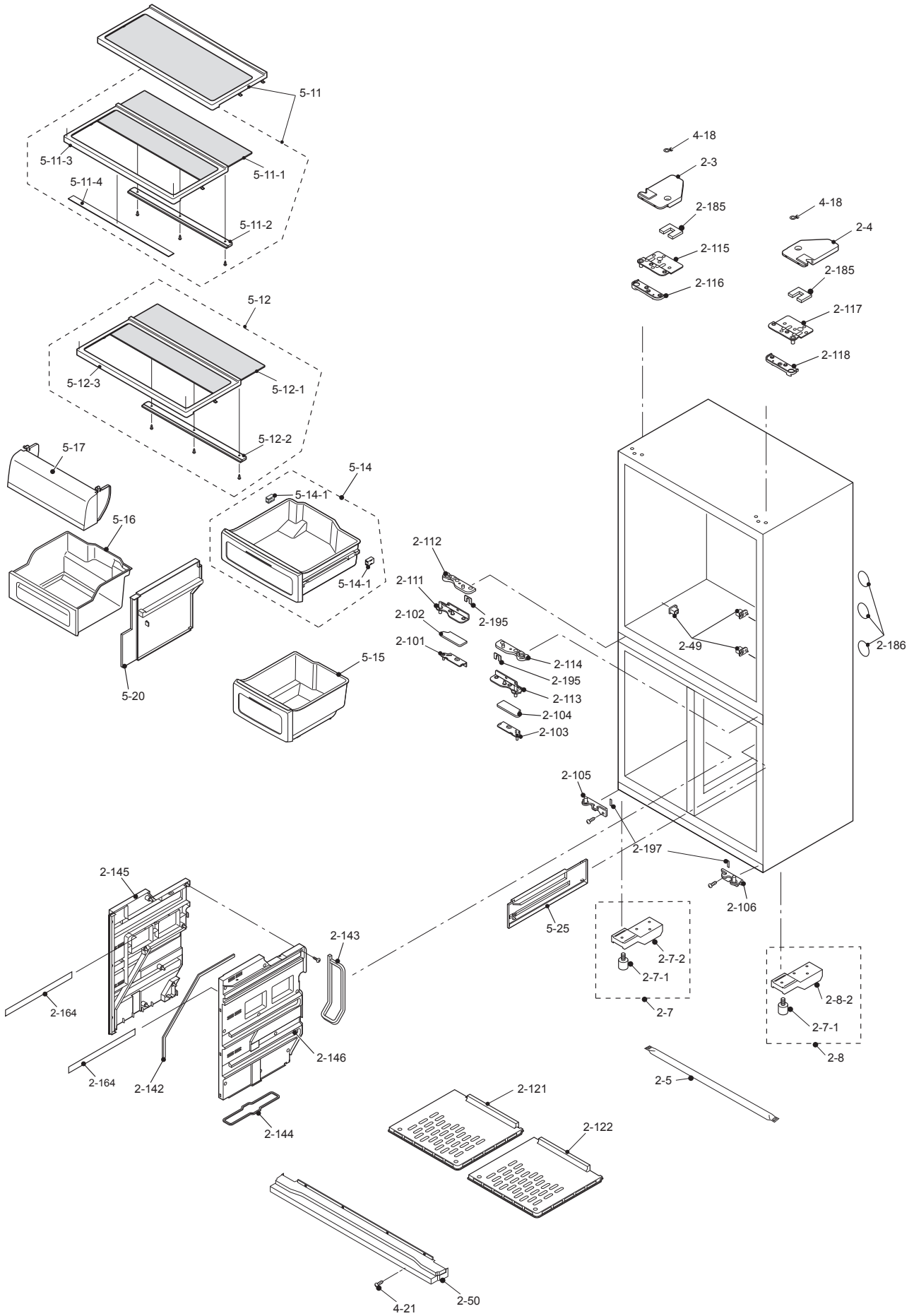
- | | |
|---------------------------------------|--|
| [1] SJ-FX680V/FX630V-ST/WH DOOR PARTS | [4] SJ-FX680V/FX630V-ST/WH CYCLE PARTS |
| [2] SJ-FX680V/FX630V-ST/WH CABINET1 | [5] SJ-FX680V/FX630V-ST/WH OTHER PARTS |
| [3] SJ-FX680V/FX630V-ST/WH CABINET2 | |

[1] SJ-FX680V/FX630V-ST/WH DOOR PARTS



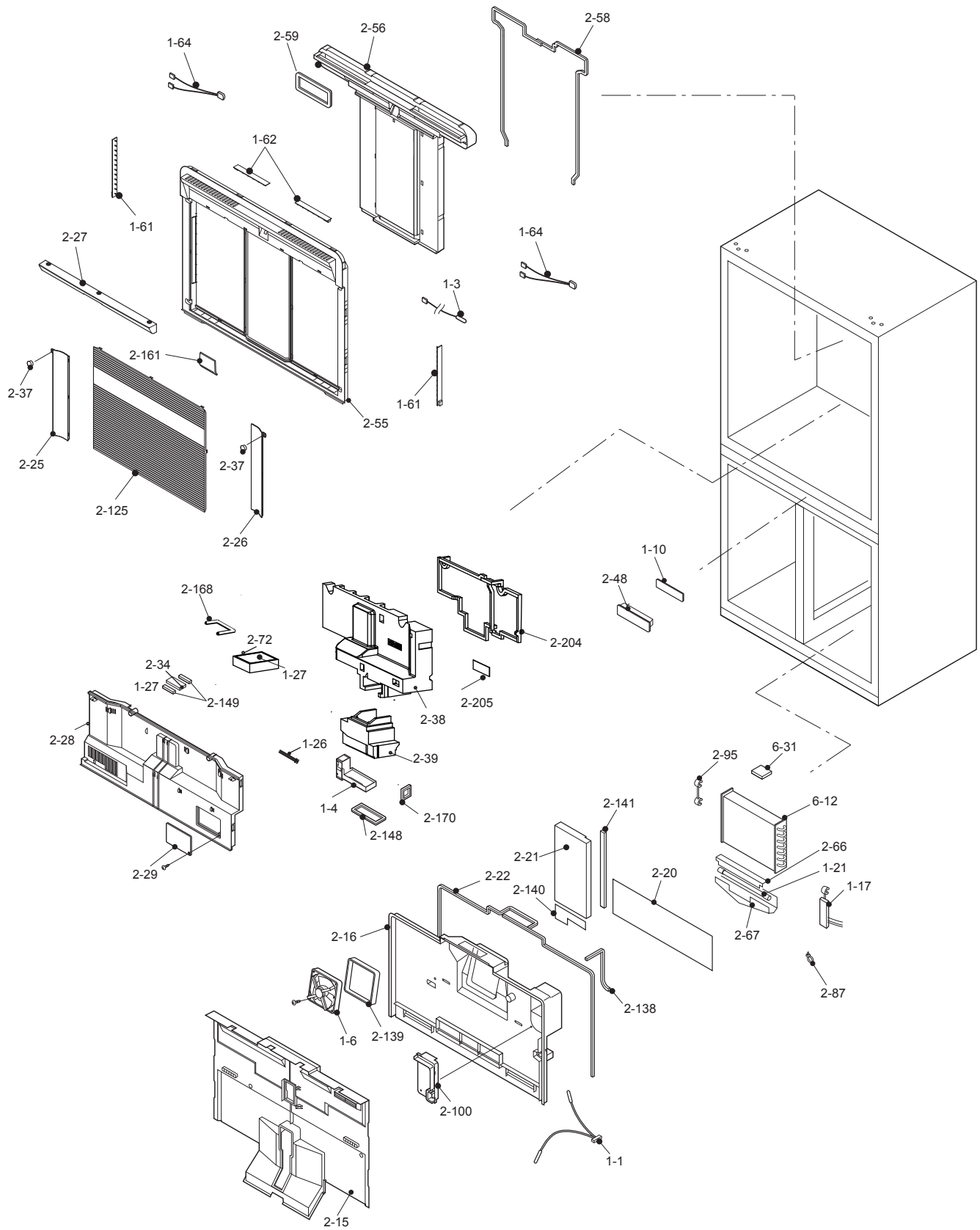
NO.	PARTS CODE	PRICE RANK	NEW MARK	PART RANK	DESCRIPTION
[1] SJ-FX680V/FX630V-ST/WH DOOR PARTS					
1-55	DPWB-A417CBKZ	BG			Op. Pwb ass'y
1-55-1	FPWB-B448CBKZ	BA			Op. Pwb s ass'y
1-55-3	LHLD-A956CBFA	AL			Display pwb holder
1-55-6	GCOVPA365CBRA	AP			Display panel
1-55-7	JBTN-A059CBRE	AH			Button dw.
1-55-8	JBTN-A060CBRE	AH			Button up.
1-55-9	JBTN-A061CBRE	AH			Button dc.
1-55-10	JBTN-A062CBRE	AH			Button pl.
2-198	PSEL-E669CBZZ	AC			W-sealer c-panel
2-199	PSEL-E670CBZZ	AC			W-sealer hld a
2-200	PSEL-E671CBZZ	AC			W-sealer hld b
3-1	FDORFC583CBKZ	BK			F-door l ass'y [FX680V-ST] [FX630V-ST]
3-1	FDORFC628CBKZ	BK			F-door l ass'y [FX680V-WH]
3-1-1	LSTPMA008CBM0	AD			F-door stopper r
3-1-2	LSTPPA146CBFA	AF			Fd-stp spring l
3-2	FPACGA606CBYA	AS			F door packing
3-6	HDECQA670CBTE	AR			F door trim [FX680V-ST] [FX630V-ST]
3-6	HDECQA670CBTA	AR			F door trim [FX680V-WH]
3-7	LHLD-A959CBFA	AN			Fd handle base
3-8	PPACGA226CBZA	AM			F-sub packing a
3-11	FDORFC582CBKZ	BG			F-door r ass'y [FX680V-ST] [FX630V-ST]
3-11	FDORFC627CBKZ	BG			F-door r ass'y [FX680V-WH]
3-11-2	LSTPPA147CBFA	AF			Fd-stp spring r
3-21	FDORRE049CBKZ	BP			R-door l ass'y [FX680V-ST]
3-21	FDORRE052CBKZ	BN			R-door l ass'y [FX630V]
3-21	FDORRE119CBKZ	BN			R-door l ass'y [FX680V-WH]
3-21-1	LSTPPA193CBFA	AC			Stp-spring tl
3-21-2	LSTPPA191CBFA	AC			Stp-spring bl
3-21-3	LSTPPA153CBFA	AF			R lock spring l
3-21-4	MSLI-A134CBFA	AE			Door cam tl
3-21-5	MSLI-A071CBFA	AE			Door cam bl
3-22	FPACGA607CBYB	AX			R door packin l [FX680V-ST]
3-22	FPACGA607CBYA	AX			R door packin l [FX680V-WH]
3-22	FPACGA608CBYB	AX			R door packin l [FX630V]
3-26	HDECQA671CBTE	AS			Control panel [FX680V-ST]
3-26	HDECQA671CBTA	AS			Control panel [FX680V-WH]
3-26	HDECQA672CBTE	AS			Control panel - 74 [FX630V]
3-27	LHLD-A964CBFA	AP			Rd trim base [FX680V]
3-27	LHLD-A967CBFA	AP			Rd trim base 74 [FX630V]
3-28	PPACGA352CBZA	AN			R-sub packing [FX680V]
3-28	PPACGA353CBZA	AM			R-sub packing [FX630V]
3-31	FDORRE050CBKZ	BW			R-door r ass'y [FX680V]
3-31	FDORRE053CBKZ	BL			R-door r ass'y [FX630V]
3-31	FDORRE120CBKZ	BL			R-door r ass'y [FX630V-WH]
3-31-1	LSTPPA194CBFA	AC			Stp-spring tr
3-31-2	LSTPPA192CBFA	AC			Stp-spring br
3-31-3	LSTPPA152CBFA	AF			R lock spring r
3-31-4	MSLI-A068CBFA	AE			Door cam tr
3-31-5	MSLI-A069CBFA	AE			Door cam br
3-32	FPACGA609CBYB	AX			R door packin r [FX680V-ST]
3-32	FPACGA609CBYA	AX			R door packin [FX680V-WH]
3-32	FPACGA610CBYB	AX			R door packin r [FX630V-ST]
3-40	HBDGDB043CBB	AN			Badge
3-46	PSEL-E035CBZZ	AE			R-sub packing sealer [FX680V]
3-46	PSEL-E036CBZZ	AE			R-sub packing sealer [FX630V]
3-49	PSEL-E676CBZZ	AC			Rd packing t corner
5-1	FPOK-A305CBKZ	AS			Btl-pok l ass'y
5-2	FPOK-A306CBKZ	AQ			Door pocket ass'y
5-3	FPOK-A307CBKZ	AV			Btl-pok r ass'y
5-3-1	LSTYPA044CBFC	AM			B-pok partition
5-4	FPOK-A308CBKZ	AP			Utility pok ass'y
5-6	UTNA-A397CBFC	AH			Egg tray
5-21	FSRA-A332CBYZ	AN			Ice cube maker
5-23	FYOK-A390CBKZ	AQ			Ice storage ass'y
5-24	LSTYPA043CBFB	AP			I-case stay
5-27	FYOK-A388CBKZ	AX			F-case s ass'y
5-28	FYOK-A387CBKZ	AY			F-case l ass'y

[2] SJ-FX680V/FX630V-ST/WH CABINET1



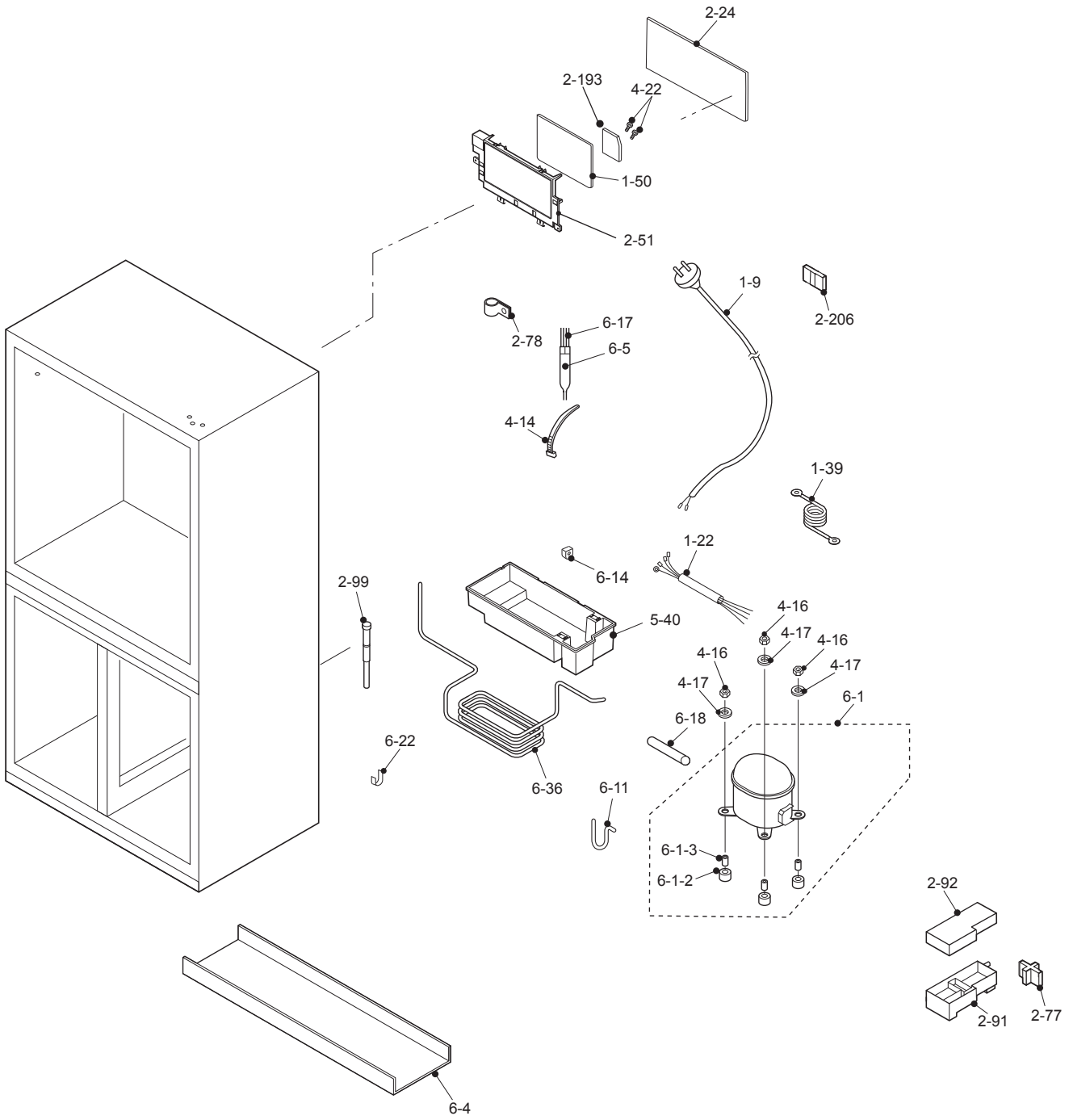
NO.	PARTS CODE	PRICE RANK	NEW MARK	PART RANK	DESCRIPTION
[2] SJ-FX680V/FX630V-ST/WH CABINET1					
2-3	GCOV-A388CBFB	AH			Upper hinge cover l
2-4	GCOV-A389CBFB	AH			Upper hinge cover r
2-5	JHNDMA025CBPZ	AE			Carrying bar
2-7	FLEGPA127CBKZ	AX			Leg holder-ls k
2-7-1	FAJS-A028CBKZ	AG			Adjustable leg ass'y
2-7-2	FLEGPA123CBYZ	AT			Leg holder-lk
2-8	FLEGPA128CBKZ	AX			Leg holder-rs k
2-8-2	FLEGPA124CBYZ	AT			Leg holder-rk
2-49	LSTPPA108CBFB	AF			Chilled stopper
2-50	HGRL-A317CBFB	AT			Base cover
2-101	DHNG-A849CBMZ	AK			F-hinge lt ass'y
2-102	GCOV-A392CBFB	AE			F-hinge cover l
2-103	DHNG-A850CBMZ	AK			F-hinge rt ass'y
2-104	GCOV-A393CBFB	AE			F-hinge cover r
2-105	DHNG-A539CBMZ	BA			F-hinge lb ass'y
2-106	DHNG-A540CBMZ	BA			F-hinge rb ass'y
2-111	FHNG-A295CBMZ	AS			R-hinge lbk
2-112	MSLI-A128CBFB	AF			Hinge cam bl
2-113	FHNG-A296CBMZ	AS			R-hinge rbk
2-114	MSLI-A129CBFB	AG			Hinge cam br
2-115	FHNG-A297CBYZ	AV			R-hinge ltk
2-116	MSLI-A130CBFB	AG			Hinge cam tl
2-117	FHNG-A298CBYZ	AV			R-hinge rtk
2-118	MSLI-A131CBFB	AG			Hinge cam tr
2-121	GCOV-A398CBFA	AT			F-ret cover bl
2-122	GCOV-A399CBFA	AT			F-ret cover br
2-142	PSEL-C558CBZZ	AD			Sealer c
2-143	PSEL-C559CBZZ	AD			Sealer d
2-144	PSEL-C560CBZZ	AD			Sealer e
2-145	PSKR-A327CBFB	AR			V-partition lfb
2-146	PSKR-A328CBFB	AS			V-partition rfb
2-164	PSEL-C672CBZZ	AE			V-p sealer a
2-185	PSEL-E565CBZZ	AD			U-hinge sealer
2-186	PCOVA013CBEH	AH			Charge hole cover
2-195	PSPA-A112CBZZ	AD			Rb hinge spacer small
2-197	PSPA-A113CBZZ	AE			Fb hinge spacer small
4-18	LX-WZA055CBZZ	AE			Washer 16 mm
4-21	XTTS740P12000	AC			Tapping screw
5-11	FTNA-A754CBKZ	AZ			R-shelf ass'y
5-11-1	UTNA-A396CBRA	AY			R-glass shelf
5-11-2	UWAKPA019CBFB	AL			G guard rb
5-11-3	UWAKPA021CBFB	AN			G guard r
5-11-4	LPLTMA753CBPZ	AP			R shelf support
5-12	FTNA-A753CBKZ	AY			V-shelf ass'y
5-12-1	UTNA-A395CBRA	AY			V-glass shelf
5-12-2	UWAKPA018CBFB	AL			G guard vb
5-12-3	UWAKPA020CBFB	AP			G guard v
5-14	FYOK-A385CBKZ	AV			Ex-cool case t ass'y
5-14-1	PCAP-A068CBFB	AF			C sliding cap a
5-15	FYOK-A386CBKZ	AV			Ex-cool case t ass'y
5-16	FYOK-A389CBKZ	AW			V-case ass'y
5-17	GFTA-A101CBFC	AP			V-case door
5-20	LSTYPA066CBFB	AN			R-case stay
5-25	LRAL-A092CBFB	AK			Ice room rail

[3] SJ-FX680V/FX630V-ST/WH CABINET2



NO.	PARTS CODE	PRICE RANK	NEW MARK	PART RANK	DESCRIPTION
[3] SJ-FX680V/FX630V-ST/WH CABINET2					
1-1	RH-HXA195CBZZ	AM			F/df-thermistor
1-3	RH-HXA199CBZZ	AN			R-thermistor
1-4	DTHM-A031CBKZ	AX			Damper ass'y
1-6	RMOTRA158CBZZ	AW			F fan motor
1-10	FPWB-A917CBKZ	AU			Door sw pwb
1-17	FFS-TA087CBKZ	AM			Fuse ass'y
1-21	FHETBA193CBZZ	BA			Defrost heater
1-26	QCNW-B784CBZZ	AH			Lead r-c box
1-27	RMOTRA095CBZZ	BA			R fan motor
1-61	FPWB-B451CBKZ	AM			Lr led pwb ass'y
1-62	FPWB-B453CBKZ	AM			Top led pwb ass'y
1-64	QCNW-B769CBZZ	AH			Lr led harness
2-15	HGRL-A316CBFA	AY			Fan louver
2-16	GCOV-A397CBFA	AW			Ev-cover
2-20	PSEL-C573CBZZ	AE			E.v.pe-al sheet
2-21	PFPPB565CBFZ	AE			Ev-cover insu
2-22	PSEL-C569CBZZ	AC			Ev-cover sealer
2-25	PCOV-A432CBFB	AK			R lamp cover l [FX680V]
2-25	PCOV-A435CBFB	AK			R lamp cover l [FX630V]
2-26	PCOV-A433CBFB	AK			R lamp cover r [FX680V]
2-26	PCOV-A436CBFB	AK			R lamp cover r [FX630V]
2-27	PCOV-A434CBFB	AL			R lamp cover t
2-28	GCOVPA370CBFB	AR			R-c box cover
2-29	PCOV-A340CBFB	AG			R con cover s
2-34	PFIL-A068CBZZ	AP			Deodrizer
2-37	LHLD-A860CBFB	AF			Screw cover
2-38	PGID-A265CBFZ	AH			R air guider a
2-39	PGID-A263CBFZ	AH			R air guider b
2-48	GCOV-A391CBFB	AG			Door sw holder
2-55	MLOV-A078CBFB	AU			R-louver [FX680V]
2-55	MLOV-A079CBFB	AT			R-louver [FX630V]
2-56	PFPPB886CBFZ	AK			R-louver insu [FX680V]
2-56	PFPPB887CBFZ	AK			R-louver insu [FX630V]
2-58	PSEL-E009CBZZ	AG			A-sealer r-lv a [FX680V]
2-58	PSEL-E015CBZZ	AG			A-sealer r-lv a [FX630V]
2-59	PSEL-E084CBZZ	AE			A-sealer r-lv b
2-66	PSHEMA296CBPZ	AC			Heater cover
2-67	LPLTPA428CBPZ	AQ			Heater support
2-72	PSEL-C562CBZZ	AC			A-sealer rc-a
2-87	LBND-A018CBE0	AP			Fastening band a
2-95	LANG-A064CBPZ	AF			Eva holder 75
2-100	GCOVPA199CBFZ	AF			Connect cover
2-125	LPLTMB178CBPZ	AV			Hybrid panel [FX680V]
2-125	LPLTMB179CBPZ	AV			Hybrid panel [FX630V]
2-138	PSEL-C600CBZZ	AD			Ev-cov.sealer b
2-139	PSEL-C601CBZZ	AE			Ev-cov.sealer c
2-140	PSEL-C640CBZZ	AD			Ev-c sealer l
2-141	PSEL-C661CBZZ	AD			Sealer fm
2-148	PSEL-C669CBZZ	AD			A-sealer rc-d
2-149	PSEL-C081CBEZ	AA			A-sealer ag4
2-161	HDECAA098CBRA	AH			Hybrid badge
2-168	PSEL-E068CBZZ	AE			A-sealer rc-f
2-170	PSEL-E439CBZZ	AG			A-sealer rc-h
2-204	PSEL-F076CBZZ	AG			A-sealer rc-l
2-205	PSHEPA118CBZZ	AF			R fan plate
6-12	PEVA-A265CBZZ	BH			Evaporator
6-31	PKYU-A035CBE0	AG			Sp-butyl h

[4] SJ-FX680V/FX630V-ST/WH CYCLE PARTS



NO.	PARTS CODE	PRICE RANK	NEW MARK	PART RANK	DESCRIPTION
[4] SJ-FX680V/FX630V-ST/WH CYCLE PARTS					
1-9	QACC-A238CBZZ	AS			Source cord
1-22	FCNW-B598CBKZ	AP			Relay cord s ass'y
1-50	FPWB-B488CBKZ	BQ			Main pwb ass'y
2-24	GCOVPA366CBFA	AP			Terminal cover
2-51	LHLD-B089CBFA	AL			Main pwb holder
2-77	LHLD-A359CBFA	AE			T-box holder
2-78	LPLTMA399CBP0	AD			Dryer support
2-91	PBOX-A182CBFA	AK			Terminal box b
2-92	PCOVPA687CBFA	AG			Terminal cover b
2-99	PPIPPA126CBFZ	AF			Drain pipe s
2-193	GCOV-A456CBFA	AH			Earth cover
2-206	LHLD-B088CBFZ	AF			Cord holder
4-14	LBND-A040CBZZ	AD			Band I 150
4-16	LX-NZA019CBMZ	AB			Nut
4-17	LX-WZA035CBZZ	AB			Washer
4-22	LX-BZA013CBY0	AC			Special screw
5-40	USRA-A297CBFA	AP			Drain pan
6-1	FCMPLA496CBKZ	BU			Compressor ass'y
6-1-2	PSPAGA081CBZZ	AH			Rubber grommet
6-1-3	PSPAFA055CBEZ	AP			Sleeve
6-4	FFRM-A172CBKZ	AZ			Base frame ass'y
6-5	FDRY-A006CBK0	AX			Dryer ass'y
6-11	PPIPCB013CBZZ	AN			Sp-connector
6-14	PGUM-A043CBFZ	AF			Evapan rubber tp
6-17	PPIPCA517CBZZ	AE			Chrg pipe hc s
6-18	PPIPCA518CBZZ	AE			Charge pipe hc l
6-22	LANG-A058CBPZ	AC			Absorbent rubber clm
6-36	FPIPCA615CBKZ	AT			Dcp ass'y
[5] SJ-FX79T/FX74T-SL OTHER PARTS					
90-1	TINS-B688CBRZ	AM			Operation manual
90-3	SPAKCA474CBZZ	BD			Packing case 78 [FX680V]
90-3	SPAKCA475CBZZ	BC			Packing case 73 [FX630V]
90-6	CPADBA076CBKZ	AU			Bottom pad ass'y
90-7	CPADBA217CBKZ	AW			Top pad ass'y
90-8	TINSEA051CBRZ	AH			Set label
90-12	TLAB-E538CBRZ				Enelgy label [FX680V-ST]
90-12	TLAB-E539CBRZ				Enelgy label [FX680V-WH]
90-12	TLAB-E540CBRZ				Enelgy label [FX630V-ST]
90-20	TGAN-A393CBRZ	AD			Warranty card
90-21	TLAB-B396CBRZ	AD			Caution label rof-hc
90-26	TINS-B027CBRZ	AG			Caution sheet
90-28	TLAB-E208CBRZ	AD			V caution label
90-40	SPADBA260CBZZ	AY			Top sheet
90-41	SPADBA723CBFZ	AQ			Corner post 8
90-42	SPADBA724CBFZ	AQ			Corner post fr
90-43	SPADBA261CBFZ	AK			Corner post bl
90-44	SPADBA262CBFZ	AK			Corner post br
90-46	SPADBA504CBZZ	AC			Protect sheet r-shelf
90-47	SPADBA741CBZZ	AU			Cab-protect sheet
90-48	SPADBA725CBZZ	AN			Door protect sheet
90-52	SSAKHA010CBZZ	AN			Poly cover [FX680V]
90-52	SSAKHA011CBZZ	AP			Poly cover [FX630V]
90-53	SSAKHA015CBZZ	AF			Base poly cover
90-56	SPADBA766CBZZ	AD			Glass tray support