

SHARP[®]**PARTS LIST****SPLIT TYPE ROOM AIR CONDITIONER****MODELS**

	INDOOR UNIT	OUTDOOR UNIT
6K Btu/h models	— AH-X6VEY	AU-X6VEY
9K Btu/h models	AH-X9VEW	AU-X9VEW
	AH-GX10	AU-GX10
	AH-PGX10	AU-PGX10
	AH-X9VED	AU-X9VED
	AH-XS10VF	AU-XS10VF
	AH-X9VEY	AU-X9VEY
12K Btu/h models	AH-X12VEW	AU-X12VEW
	AH-GX13	AU-GX13
	AH-PGX13	AU-PGX13
	AH-X12VED	AU-X12VED
	AH-XS15VF	AU-XS15VF
	AH-X12VEY	AU-X12VEY

CONTENTS

- [1] INDOOR UNIT PARTS
- [2] INDOOR UNIT PACKING PARTS
- [3] OUTDOOR UNIT PARTS
- [4] OUTDOOR PACKING PARTS
- INDEX

HOW TO ORDER REPLACEMENT PARTS

To have your order filled promptly and correctly, please furnish the following information.

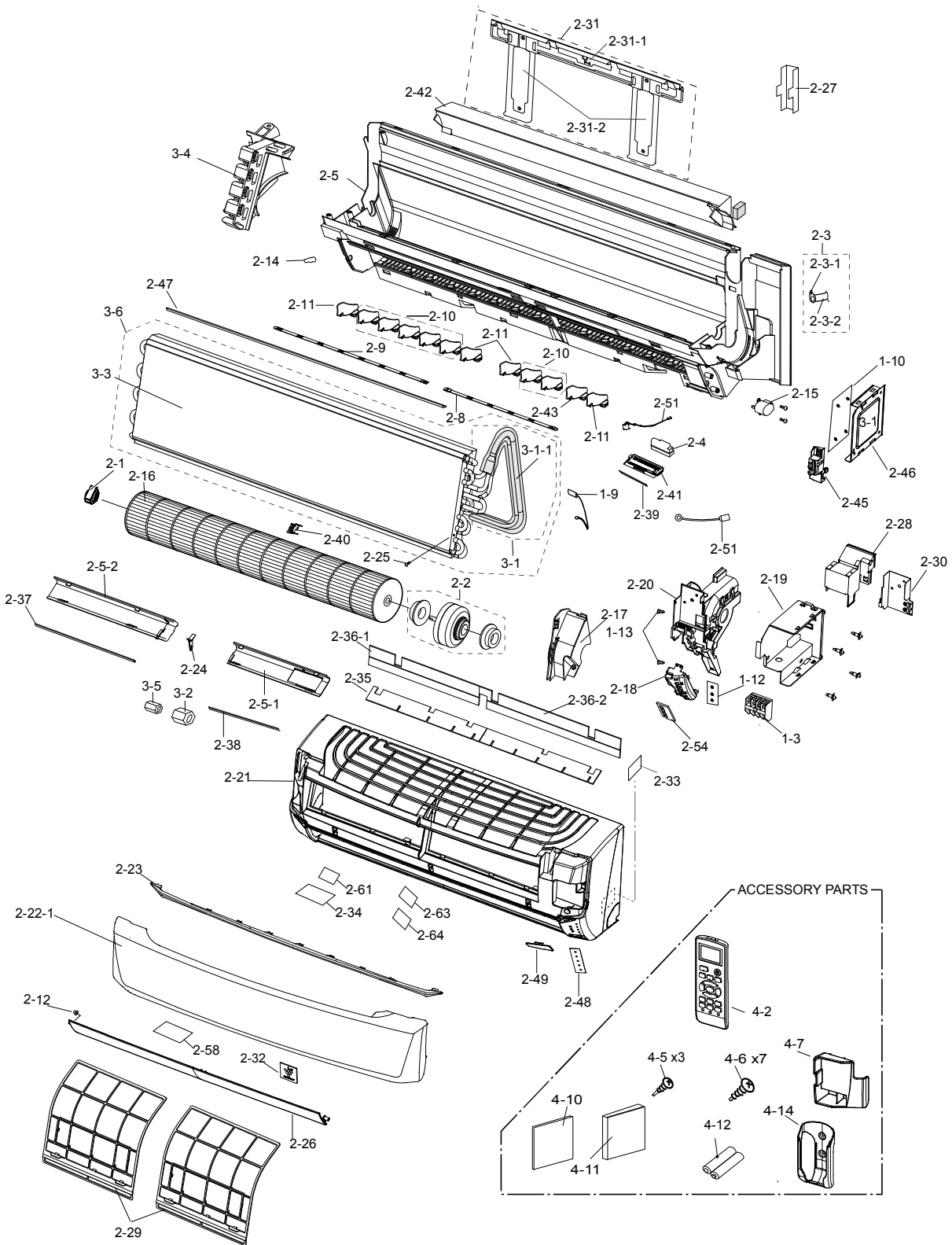
1. MODEL NUMBER
2. REF. NO.
3. PART NO.
4. DESCRIPTION.

Parts marked with "▲" are important for maintaining the safety of the set. Be sure to replace these parts with specified ones for maintaining the safety and performance of the set.

SHARP CORPORATION

This document has been published to be used for after sales service only.
The contents are subject to change without notice.

[1] INDOOR UNIT PARTS

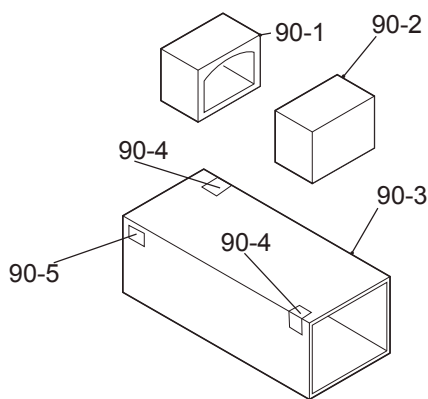


REF. No.	PARTS CODE	PRICE RANK	NEW MARK	DESCRIPTION
CONTROL BOX PARTS				
1-3	QTANZA074JBZZ	AS		TERMINAL BOARD
1-9	RH-HXA258JBZZ	AH	N	THERMISTOR
1-10	DSGY-H129JBKZ	BL	N	SERVICE MAIN PWB-K[AH-X6VEY]
1-10	DSGY-H126JBKZ	BL	N	SERVICE MAIN PWB-K[AH-X9VEW_GX10_X9VED_XS10VF_X9VEY]
1-10	DSGY-H127JBKZ	BL	N	SERVICE MAIN PWB-K[AH-X12VEW_GX13_X12VED_XS15VF_X12VEY]
1-10	DSGY-H144JBKZ	BL	N	SERVICE MAIN PWB-K[AH-PGX10]
1-10	DSGY-H262JBKZ		N	SERVICE MAIN PWB-K[AH-PGX13]
1-12	FSGY-C971JBKZ	AW	N	SERVICE SUB PWB-K
1-13	PSPA-A238JBEZ	AC		SPACER
CABINET AND UNIT PARTS				
2-1	CHLD-A221JBKZ	AE		BEARING ASS'Y
2-2	CMOT-A639JBKZ	AZ		FAN MOTOR SUB ASS'Y
2-3	CHOS-A055JBKZ	AK		DRAIN HOSE ASS'Y
2-3-1	LPLT-A069JBPZ	AC		HOSE HOLDER
2-3-2	PHOS-A065JBEZ	AK		DRAIN HOSE
2-4	CKITTA159AKKZ	AX		PLASMA CLUSTER UNIT [AH-PGX10_PGX13]
2-5	DSRA-A376JBKZ	BB		CABINET SUB ASS'Y[AH-X6VEY_X9VEW_GX10_X9VED_XS10VF_X9VEY]
2-5	DSRA-A426JBKZ	AZ		CABINET SUB ASS'Y[AH-X12VEW_GX13_X12VED_XS15VF_X12VEY]
2-5-1	PSTB-A004JBFB	AM		GUIDE R[AH-X6VEY_X9VEW_GX10_X9VED_XS10VF_X9VEY_X12VEW_GX13_X12VED_XS15VF_X12VEY]
2-5-1	PSTB-A002JBFB	AL		GUIDE R[AH-PGX10_PGX13]
2-5-2	PSTB-A003JBFB	AM		GUIDE L
2-7	DHLD-A039JBKZ	AM		HOLDER ASS'Y [AH-PGX10_PGX13]
2-8	MJNTPA140JBFB	AH		LOUVER LINK R
2-9	MJNTPA141JBFB	AH		LOUVER LINK L
2-10	MLOV-A473JBFB	AH		VERTICAL LOUVER M1
2-11	MLOV-A474JBFB	AH		VERTICAL LOUVER M2
2-12	NBRG-A026JBFA	AB		LOUVER BUSHING
2-14	PGUMMA495JBEZ	AC		DRAIN PLUG
2-15	RMOT-A257JBZZ	AL		LOUVER MOTOR
2-16	NFANCA122JBEZ	BC		CROSS FLOW FAN
2-17	PPLT-A540JBFZ	AN		SIDE COVER R
2-18	LHLD-B301JBFA	AD		LED HOLDER
2-19	DBOX-A242JBYZ	AL	N	CONTROL ANGLE ASS'Y
2-20	LHLD-B302JBFZ	AH		TERMINAL HOLDER
2-21	GWAK-A429JBRA	AZ		FRONT PANEL [AH-X6VEY_X9VEW_GX10_X9VED_XS10VF_X9VEY_X12VEW_GX13_X12VED_XS15VF_X12VEY]
2-21	GWAK-A425JBRA	AZ		FRONT PANEL [AH-PGX10_PGX13]
2-22-1	HPNL-B543JBRA	AW	N	OPEN PANEL [AH-X6VEY_X9VEW_GX10_X9VED_XS10VF_X9VEY_X12VEW_GX13_X12VED_XS15VF_X12VEY]
2-22-1	HPNL-B545JBRA	AW	N	OPEN PANEL [AH-PGX10_PGX13]
2-23	PCOV-C195JBFB	AR		DECORATION PANEL
2-23	PCOV-C195JBFE		N	DECORATION PANEL[AH-X6VEY_X9VEY_X12VEY]
2-24	LHLD-A859JBFB	AH		LOUVER HOLDER
2-25	LX-BZA075JBE0	AA		SPECIAL SCREW
2-26	MLOV-A615JBFA	AL		HORIZONTAL LOUVER
2-27	PCOV-B361JBFA	AV		TUBE COVER
2-28	PCOV-C770JBWZ	AG	N	TERMINAL COVER
2-29	PFILMA292JBEA	AF		AIR FILTER
2-30	PCOV-C772JBWZ	AG	N	TERMINAL COVER
2-31	DPLT-A114JBKZ	AP	N	MOUNTING ANGLE ASS'Y

REF. No.	PARTS CODE	PRICE RANK	NEW MARK	DESCRIPTION
2-31-1	PPLTNA179JBWZ	AG	N	MOUNTING ANGLE A
2-31-2	PPLTNA180JBWZ	AG	N	MOUNTING ANGLE B
2-32	HBDGBA005CBZB	AE		PCI BADGE [AH-PGX10_PGX13]
2-33	TLABCE262JBRZ			WIRING DIAGRAM [AH-X6VEY_X9VEW_GX10_X9VED_XS10VF_X9VEY_X12VEW_GX13_X12VED_XS15VF_X12VEY]
2-33	TLABCE287JBRZ	AG	N	WIRING DIAGRAM [AH-PGX10_PGX13]
2-34	TSPC-L427JBRA	AE	N	NAME LABEL[AH-X6VEY]
2-34	TSPC-L382JBRA	AE	N	NAME LABEL[AH-X9VEW]
2-34	TSPC-L428JBRA	AE	N	NAME LABEL[AH-GX10]
2-34	TSPC-L424JBRA	AE	N	NAME LABEL[AH-PGX10]
2-34	TSPC-L429JBRA	AE	N	NAME LABEL[AH-X9VED]
2-34	TSPC-L431JBRA	AE	N	NAME LABEL[AH-XS10VF]
2-34	TSPC-L430JBRA	AE	N	NAME LABEL[AH-X9VEY]
2-34	TSPC-L425JBRA	AE	N	NAME LABEL[AH-X12VEW]
2-34	TSPC-L432JBRA	AE	N	NAME LABEL[AH-GX13]
2-34	TSPC-L436JBRA	AE	N	NAME LABEL[AH-PGX13]
2-34	TSPC-L433JBRA	AE	N	NAME LABEL[AH-X12VED]
2-34	TSPC-L434JBRA	AE	N	NAME LABEL[AH-XS15VF]
2-34	TSPC-L435JBRA	AE	N	NAME LABEL[AH-X12VEY]
2-35	PSEL-E533JBEZ	AD		SEAL
2-36-1	PSEL-E648JBEZ	AE		SEAL
2-36-2	PSEL-E649JBEZ	AE		SEAL
2-37	PFPFPE169JBEZ	AK		INSULATOR L
2-38	PFPFPE170JBEZ	AK		INSULATOR R [AH-X6VEY_X9VEW_GX10_X9VED_XS10VF_X9VEY_X12VEW_GX13_X12VED_XS15VF_X12VEY]
2-38	PFPFPE204JBEZ	AK		INSULATOR RS [AH-PGX10_PGX13]
2-38	PFPFPE203JBEZ	AK		CLUSTER COVER SEAL [AH-PGX10_PGX13]
2-40	LHLD-A315JBF0	AE		THERMISTOR HOLDER
2-41	PCOV-B615JBFA	AM		COVER [AH-PGX10_PGX13]
2-42	FANGJA002JBKZ	AU		EVA GUIDE ASS'Y[AH-X6VEY_X9VEW_GX10_X9VED_XS10VF_X9VEY]
2-43	MLOV-A491JBFB	AH		VERTICAL LOUVER M3
2-45	PCOV-C192JBFA	AD		SW COVER
2-46	PCOV-C771JBWZ	AG	N	CONTROL BOX COVER
2-47	PSEL-D072JBEZ	AC		EVAPORATOR SEAL[AH-X6VEY_X9VEW_GX10_X9VED_XS10VF_X9VEY]
2-48	PSHE-A389JBEZ	AC		SHEET
2-49	PCOV-C197JBFA	AC		RECEIVING FILTER
2-51	QW-VZG999JBZZ			LEAD WIRE [AH-X6VEY_X9VEW_GX10_X9VED_XS10VF_X9VEY_X12VEW_GX13_X12VED_XS15VF_X12VEY]
2-51	QW-VZG803JBZZ	AF		LEAD WIRE [AH-PGX10_PGX13]
2-54	PSEL-E571JBEZ	AE		SEAL
2-58	TLAB-H557JBEZ	AE	N	ENERGY LABEL[AH-X6VEY]
2-58	TLAB-H539JBEZ	AE	N	ENERGY LABEL[AH-X9VEW]
2-58	TLAB-H545JBEZ	AE	N	ENERGY LABEL[AH-GX10]
2-58	TLAB-H546JBEZ	AE	N	ENERGY LABEL[AH-PGX10]
2-58	TLAB-H558JBEZ	AE	N	ENERGY LABEL[AH-X9VED]
2-58	TLAB-H560JBEZ	AE	N	ENERGY LABEL[AH-X9VEY]
2-58	TLAB-H553JBEZ	AE	N	ENERGY LABEL[AH-X12VEW]
2-58	TLAB-H547JBEZ	AE	N	ENERGY LABEL[AH-GX13]
2-58	TLAB-H565JBEZ	AE	N	ENERGY LABEL[AH-PGX13]
2-58	TLAB-H562JBEZ	AE	N	ENERGY LABEL[AH-X12VED]
2-58	TLAB-H564JBEZ	AE	N	ENERGY LABEL[AH-X12VEY]
2-61	TLAB-G214JBEZ	AE		SLIM LABEL[AH-X9VED_X12VED]

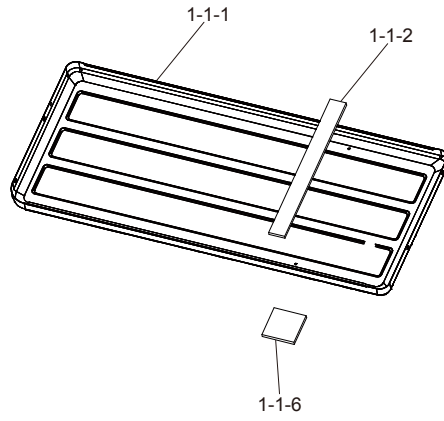
REF. No.	PARTS CODE	PRICE RANK	NEW MARK	DESCRIPTION
2-63	TLAB-G452JBRA	AC		NON-HCFC LABEL[AH-X6VEY_X9VEY_X12VEY]
2-64	TLAB-H556JBEZ		N	SKEM LABEL[AH-X6VEY]
2-64	TLAB-H559JBEZ		N	SKEM LABEL[AH-X9VEY]
2-64	TLAB-H563JBEZ		N	SKEM LABEL[AH-X12VEY]
CYCLE PARTS				
3-1	CPIPCC076JBKZ	AZ		TUBE ASS'Y[AH-X6VEY]
3-1	CPIPCC079JBKZ	AX		TUBE ASS'Y[AH-X9VEW_GX10_X9VED_XS10VF_X9VEY]
3-1	CPIPCC204JBKZ	AY		TUBE ASS'Y[AH-X12VEW_GX13_X12VED_XS15VF_X12VEY]
3-1-1	PFPFPE985JBEZ	AE		TUBE INSULATOR[AH-X6VEY_X9VEW_GX10_X9VED_XS10VF_X9VEY]
3-2	PSEN-A099JBKZ	AK		FLARE NUT ASS'Y
3-3	PEVA-B063JBPZ	BF		EVAPORATOR[AH-X6VEY]
3-3	PEVA-A984JBPZ	BH		EVAPORATOR[AH-X9VEW_GX10_X9VED_XS10VF_X9VEY]
3-3	PEVA-B062JBPZ	BM		EVAPORATOR[AH-X12VEW_GX13_X12VED_XS15VF_X12VEY]
3-4	PPLT-A541JBFZ	AN		SIDE COVER L
3-5	PSEN-A100JBKZ	AK		FLARE NUT ASS'Y
3-6	CCYC-E646JBKZ	BM		CYCLE ASS'Y[AH-X6VEY]
3-6	CCYC-E396JBKZ	BN		CYCLE ASS'Y[AH-X9VEW_GX10_X9VED_XS10VF_X9VEY]
3-6	CCYC-E620JBKZ	BP		CYCLE ASS'Y[AH-X12VEW_GX13_X12VED_XS15VF_X12VEY]
ACCESSORY PARTS				
4-2	CRMC-A998JBEZ	AR		REMOTE CONTROL [AH-X6VEY_X9VEW_GX10_X9VED_XS10VF_X9VEY_X12VEW_GX13_X12VED_XS15VF_X12VEY]
4-2	CRMC-B027JBEZ	AR		REMOTE CONTROL [AH-PGX10_PGX13]
4-5	XTTS740P20000	AF		TAPPING SCREW
4-6	XTTS745P30000	AC		TAPPING SCREW
4-7	DHLD-A112JBKZ	AH	N	CORD HOLDER ASSY
4-10	TINS-B693JBRZ	AE	N	INSTALLATION MANUAL[AH-X6VEY_X9VEY_X12VEY]
4-10	TINS-B689JBRZ	AE	N	INSTALLATION MANUAL[AH-X9VEW_X12VEW]
4-10	TINS-B694JBRZ	AE	N	INSTALLATION MANUAL[AH-GX10_GX13_PGX10_PGX13]
4-10	TINS-B693JBRZ	AE	N	INSTALLATION MANUAL[AH-X9VED_XS10VF_X12VED_XS15VF]
4-11	TINSEB031JBRZ	AE	N	OPERATION MANUAL[AH-X6VEY_X9VEY_X912VEY]
4-11	TINSEB029JBRZ	AE	N	OPERATION MANUAL[AH-X9VEW_X12VEW]
4-11	TINSEB030JBRZ	AE	N	OPERATION MANUAL[AH-GX10_GX13_PGX10_PGX13]
4-11	TINSEB032JBRZ	AE	N	OPERATION MANUAL[AH-X9VED_XS10VF_X12VED_XS15VF]
4-12	UBATUA027JBE0	AE		BATTERY PACK
4-14	LHLD-B299JBFA	AD		HOLDER

[2] INDOOR PACKING PARTS

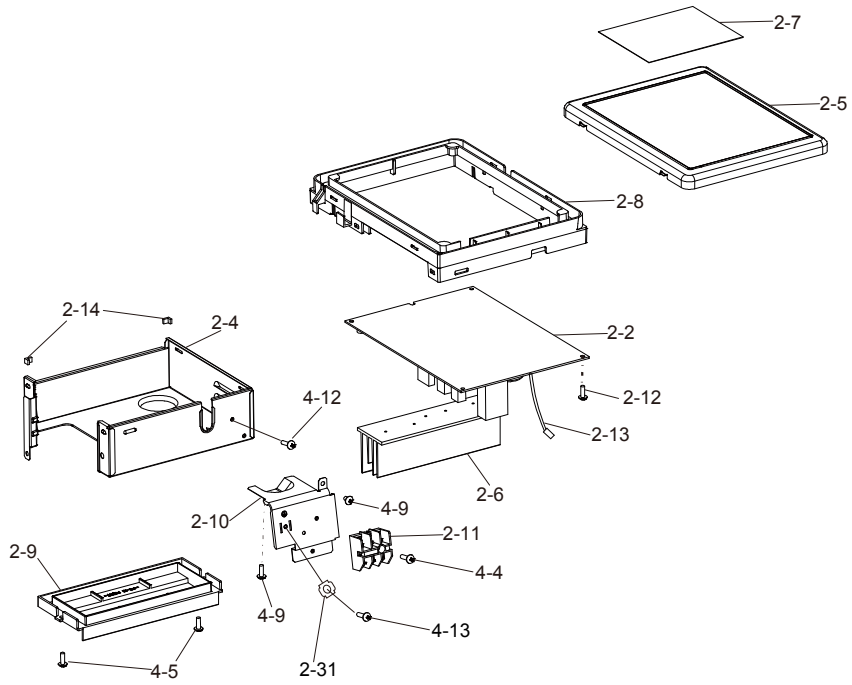


REF. No.	PARTS CODE	PRICE RANK	NEW MARK	DESCRIPTION
PACKING PARTS				
90-1	SPADBA869JBEZ	AF		PACKING PAD L
90-2	SPADBA725JBEZ	AG		PACKING PAD R
90-3	SPAKCE775JBEZ	AK		PACKING CASE[AH-X6VEY_X9VEY_X12VEY]
90-3	SPAKCE483JBEZ	AH		PACKING CASE[AH-X9VEW_GX10_PGX10_X9VED_XS10VF_X12VEW_GX13_PGX13_X12VED_XS15VF]
90-4	TLABMF354JBRZ	AD	N	PRODUCT LABEL[AH-X6VEY]
90-4	TLABMF363JBRZ	AD	N	PRODUCT LABEL[AH-X9VEW]
90-4	TLABMF355JBRZ	AD	N	PRODUCT LABEL[AH-GX10]
90-4	TLABMF356JBRZ	AD	N	PRODUCT LABEL[AH-X9VED]
90-4	TLABMF358JBRZ	AD	N	PRODUCT LABEL[AH-XS10VF]
90-4	TLABMF357JBRZ	AD	N	PRODUCT LABEL[AH-X9VEY]
90-4	TLABMF364JBRZ	AD	N	PRODUCT LABEL[AH-X12VEW]
90-4	TLABMF359JBRZ	AD	N	PRODUCT LABEL[AH-GX13]
90-4	TLABMF360JBRZ	AD	N	PRODUCT LABEL[AH-X12VED]
90-4	TLABMF361JBRZ	AD	N	PRODUCT LABEL[AH-XS15VF]
90-4	TLABMF362JBRZ	AD	N	PRODUCT LABEL[AH-X12VEY]
90-5	TLAB-H540JBRZ	AC	N	SPEC LABEL[AH-X9VEW]
90-5	TLAB-H554JBRZ	AC	N	SPEC LABEL[AH-X12VEW]

A



B

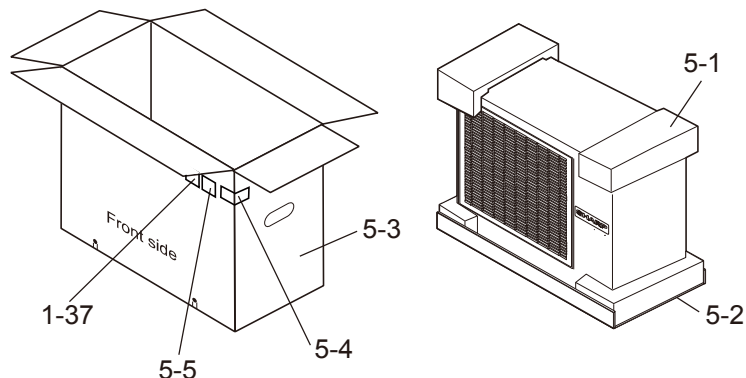


REF. No.	PARTS CODE	PRICE RANK	NEW MARK	DESCRIPTION
CABINET AND UNIT PARTS				
1-1	CCAB-A715JBKZ		N	TOP TABLE ASS'Y
1-1-1	GCAB-A595JBTC		N	TOP TABLE
1-1-2	PSEL-E665JBEZ			SEAL
1-1-6	PSEL-E621JBEZ	AC		SEAL
1-2	TLAB-F156JBEZ	AE		LABEL[AU-X6VEY_X9VEY]
1-3	CFTA-A398JBKZ			SIDE COVER ASS'Y
1-4	CCHS-B672JBTC		N	BASE PAN ASS'Y
1-5	LANGKA390JBPZ		N	FAN MOTOR ANGLE
1-7	CMOTLB665JBEZ	BA	N	FAN MOTOR
1-8	GCAB-A596JBTC		N	FRONT PANEL
1-9	GGADPA025JBFC	AM		FAN GUARD
1-10	NFANPA149JBEZ	AU		PROPELLER FAN
1-11	PPLT-B179JBFC			SIDE COVER L[AU-X6VEY_X9VEW_GX10_PGX10_X9VED__XS10VF_X9VEY]
1-11	PPLT-B180JBFC			SIDE COVER L[AU-X12VEW_GX13_PGX13_X12VED__XS15VF_X12VEY]
1-12	PPLT-B177JBTC		N	SIDE COVER R
1-13	PSPF-B303JBEZ	AS		COMPRESSOR COVER
1-14	PSPF-B177JBEZ	AK		COMPRESSOR COVER[AU-X12VEW_GX13_PGX13_X12VED__XS15VF_X12VEY]
1-18	TLABMC521JBRA	AD		J-TECH INV. LABEL
1-21	TSPC-L384JBRZ		N	NAME LABEL[AU-X6VEY]
1-21	TSPC-L368JBRZ		N	NAME LABEL[AU-X9VEW]
1-21	TSPC-L386JBRZ		N	NAME LABEL[AU-GX10]
1-21	TSPC-L424JBRZ		N	NAME LABEL[AU-PGX10]
1-21	TSPC-L389JBRZ		N	NAME LABEL[AU-X9VED]
1-21	TSPC-L388JBRZ		N	NAME LABEL[AU-XS10VF]
1-21	TSPC-L385JBRZ		N	NAME LABEL[AU-X9VEY]
1-21	TSPC-L383JBRZ		N	NAME LABEL[AU-X12VEW]
1-21	TSPC-L399JBRZ		N	NAME LABEL[AU-GX13]
1-21	TSPC-L436JBRZ		N	NAME LABEL[AU-PGX13]
1-21	TSPC-L402JBRZ		N	NAME LABEL[AU-X12VED]
1-21	TSPC-L401JBRZ		N	NAME LABEL[AU-XS15VF]
1-21	TSPC-L398JBRZ		N	NAME LABEL[AU-X12VEY]
1-23	CSKR-A625JBKZ		N	BULKHEAD ASS'Y[AU-X6VEY_X9VEW_GX10_PGX10_X9VED__XS10VF_X9VEY]
1-23	CSKR-A627JBKZ		N	BULKHEAD ASS'Y[AU-X12VEW_GX13_PGX13_X12VED__XS15VF_X12VEY]
1-23-1	PFPFPE499JBEZ	AC		INSULATOR B
1-23-2	PSKR-A474JBWZ		N	BULKHEAD
1-23-3	PSEL-E872JBEZ		N	INSULATOR A[AU-X12VEW_GX13_PGX13_X12VED__XS15VF_X12VEY]
1-24	SPADBA726JBEZ	AE		PAD
1-26	TLAB-H545JBRA		N	ENERGY LABEL[AU-GX10]
1-26	TLAB-H546JBRA		N	ENERGY LABEL[AU-PGX10]
1-26	TLAB-H547JBEZ	AE	N	ENERGY LABEL[AU-GX13]
1-26	TLAB-H548JBEZ		N	ENERGY LABEL[AU-PGX13]
1-37	TLAB-H257JBRA			FIRE LABEL[AU-X9VED_X12VED]
CONTROL BOX UNIT PARTS				
2-1	RCILZA083JBZZ		N	REACTOR [AU-X6VEY_X9VEW_GX10_PGX10_X9VED__XS10VF_X9VEY]
2-1	RCILZA074JBZZ	AU		REACTOR [AU-X12VEW_GX13_PGX13_X12VED__XS15VF_X12VEY]
2-2	DSGY-H142JBKZ		N	SERVICE CONTROL UNIT[AU-X6VEY]
2-2	DSGY-H133JBKZ		N	SERVICE CONTROL UNIT[AU-X9VEW]
2-2	DSGY-H137JBKZ			SERVICE CONTROL UNIT[AU-GX10_PGX10]

REF. No.	PARTS CODE	PRICE RANK	NEW MARK	DESCRIPTION
2-2	DSGY-H138JBKZ	BY	N	SERVICE CONTROL UNIT[AU-XS10VF_X9VEY]
2-2	DSGY-H139JBKZ		N	SERVICE CONTROL UNIT[AU-X9VED]
2-2	DSGY-H140JBKZ		N	SERVICE CONTROL UNIT[AU-X12VEW]
2-2	DSGY-H141JBKZ	BY		SERVICE CONTROL UNIT[AU-GX13_PGX13_X12VED__XS15VF_X12VEY]
2-3	RH-HXA241JBZZ	AL		THERMISTOR ASS'Y
2-4	PBOX-A578JBWZ	AP		CONTROL BOX
2-5	PCOV-C758JBWZ		N	COVER
2-6	PRDAFA276JBEZ	AM		HEAT SINK
2-7	TLABCE221JBRZ	AC		WIRING DIAGRAM
2-8	LHLD-B177JBFA	AN		HOLDER
2-9	LHLD-B178JBFA	AG		HOLDER
2-10	PDAI-A282JBWZ	AF		TERMINAL HOLDER
2-11	QTANZA113JBZZ	AN		TERMINAL BOARD
2-12	XCPS730P10XS0	AD		TAPPING SCREW
2-13	QW-VZG813JBZZ	AE		LEAD WIRE
2-14	PSEL-E374JBEZ	AC		SEAL
2-15	RFIL-A064JBE0	AF		FERRITE CORE[AU-X9VEW_X12VEW]
2-16	FW-VZA138JBKZ	AN		COMPRESSOR LEAD
2-28	QFS-ZA003CBZZ+	AE		FUSE2A 250V
2-30	QFS-GA085JBZZ	AE		FUSE15A 250V
2-31	LHLD-B067JBEZ	AN		WASHER
CYCLE PARTS				
3-1	CPIPCC253JBKZ		N	SUCTION TUBE ASS'Y[AU-X6VEY_X9VEW_GX10_PGX10_X9VED__XS10VF_X9VEY]
3-1	CPIPCC182JBKZ			SUCTION TUBE ASS'Y[AU-X12VEW_GX13_PGX13_X12VED__XS15VF_X12VEY]
3-2	CCPY-A416JBKZ		N	CAPILLARY TUBE ASS'Y[AU-X6VEY_X9VEW_GX10_PGX10_X9VED__XS10VF_X9VEY]
3-2	CCPY-A417JBKZ		N	CAPILLARY TUBE ASS'Y[AU-X12VEW_GX13_PGX13_X12VED__XS15VF_X12VEY]
3-3	DVLV-B501JBKZ	AN		2WAY VALVE UNIT
3-4	DVLV-B500JBKZ	AR		3WAY VALVE UNIT
3-5	GLEG-A162JBEZ	AF		COMPRESSOR CUSHION
3-6	LX-NZA148JBE0	AD		FRANGE NUT
3-7	PCMPRA799JBEZ	BV	N	COMPRESSOR[AU-X6VEY_X9VEW_GX10_PGX10_X9VED__XS10VF_X9VEY]
3-7	PCMPRA790JBEZ	BV		COMPRESSOR[AU-X12VEW_GX13_PGX13_X12VED__XS15VF_X12VEY]
3-8	PCOV-B579JBEZ	AL		TERMINAL COVER
3-9	PSEL-E344JBEZ	AH		TERMINAL GASKET
3-10	MSPR-A207JBEZ	AF		SPRING
3-11	DCON-A918JBPZ	BH		CONDENSER ASS'Y[AU-X6VEY_X9VEW_GX10_PGX10_X9VED__XS10VF_X9VEY]
3-11	PCON-A745JBPZ		N	CONDENSER[AU-X12VEW_GX13_PGX13_X12VED__XS15VF_X12VEY]
3-25	PCOV-C765JBFC		N	COND.SUPPORT RT[AU-X12VEW_GX13_PGX13_X12VED__XS15VF_X12VEY]
3-26	PCOV-C766JBFC		N	COND.SUPPORT RB[AU-X12VEW_GX13_PGX13_X12VED__XS15VF_X12VEY]
3-27	PCOV-C767JBFC		N	COND.SUPPORT L[AU-X12VEW_GX13_PGX13_X12VED__XS15VF_X12VEY]
3-12	CPIPCC254JBKZ		N	DISCHARGE TUBE ASS'Y[AU-X6VEY_X9VEW_GX10_PGX10_X9VED__XS10VF_X9VEY]
3-12	CPIPCC255JBKZ		N	DISCHARGE TUBE ASS'Y[AU-X12VEW_GX13_PGX13_X12VED__XS15VF_X12VEY]
3-13	LX-NZA440JBEZ	AE		FLARE NUT 3/8
3-14	LX-NZA439JBEZ	AE		FLARE NUT 1/4

REF. No.	PARTS CODE	PRICE RANK	NEW MARK	DESCRIPTION
3-18	PSEL-E162JBEZ	AC		SEAL
3-19	PFPPF339JBEZ			INSULATOR
3-20	PSEL-E163JBEZ	AK		SEAL
3-23	PSEL-E160JBEZ	AC		BULKHEAD SEAL
3-24	PDAI-A369JBTC		N	FLARE COUPLING BASE
3-32	PSEL-E255JBEZ	AC		BASE PAN SEAL B[AU-X12VEW_GX13_PGX13_X12VED__XS15VF_X12VEY]
SCREW AND NUT				
4-1	LX-BZA495JBEZ	AE		SPECIAL SCREW
4-2	LX-BZA494JBEZ	AE		SPECIAL SCREW
4-3	XNFS760-50000	AB		NUT
4-4	XCPS740P20000	AK		TAPPING SCREW
4-5	XTTS740P12000	AC		TAPPING SCREW
4-6	LX-BZA493JBEZ	AE		SPECIAL SCREW
4-7	LX-NZA428JBEZ	AC		SPECIAL NUT
4-8	LX-WZA014CBE0	AB		COMP.WASHER
4-9	XCPS740P06000	AC		SPECIAL TAP. SCREW
4-11	LX-BZA498JBEZ	AC		SPECIAL SCREW
4-12	XQTS740P08000	AA		TAPPING SCREW

[4] OUTDOOR PACKING PARTS



REF. No.	PARTS CODE	PRICE RANK	NEW MARK	DESCRIPTION
4-13	XHTS740P08RV0	AG		TAP TIGHT SCREW
PACKING PARTS				
5-1	CPADBA245JBKZ	AF		PACKING PAD ASS'Y
5-2	CPADBA160JBKZ	AT		BOTTOM PAD ASS'Y
5-3	SPAKCE552JBEZ	AL		PACKING CASE[AU-X9VEW_GX10_PGX10_X9VED__XS10VF_X12VEW_GX13_PGX13_X12VED_XS15VF_X12VEY]
5-3	SPAKCE778JBEZ			PACKING CASE[AU-X6VEY_X9VEY]
5-4	TLABMF313JBRZ		N	PRODUCT LABEL[AU-X6VEY]
5-4	TLABMF290JBRZ		N	PRODUCT LABEL[AU-X9VEW]
5-4	TLABMF315JBRZ		N	PRODUCT LABEL[AU-GX10]
5-4	TLABMF316JBRZ		N	PRODUCT LABEL[AU-PGX10]
5-4	TLABMF318JBRZ		N	PRODUCT LABEL[AU-X9VED]
5-4	TLABMF317JBRZ		N	PRODUCT LABEL[AU-XS10VF]
5-4	TLABMF314JBRZ		N	PRODUCT LABEL[AU-X9VEY]
5-4	TLABMF312JBRZ		N	PRODUCT LABEL[AU-X12VEW]
5-4	TLABMF336JBRZ		N	PRODUCT LABEL[AU-GX13]
5-4	TLABMF337JBRZ		N	PRODUCT LABEL[AU-PGX13]
5-4	TLABMF339JBRZ		N	PRODUCT LABEL[AU-X12VED]
5-4	TLABMF338JBRZ		N	PRODUCT LABEL[AU-XS15VF]
5-4	TLABMF335JBRZ		N	PRODUCT LABEL[AU-X12VEY]
5-5	TLAB-H528JBRZ		N	SPEC LABEL[AU-X9VEW]
5-5	TLAB-H542JBRZ		N	SPEC LABEL[AU-X12VEW]