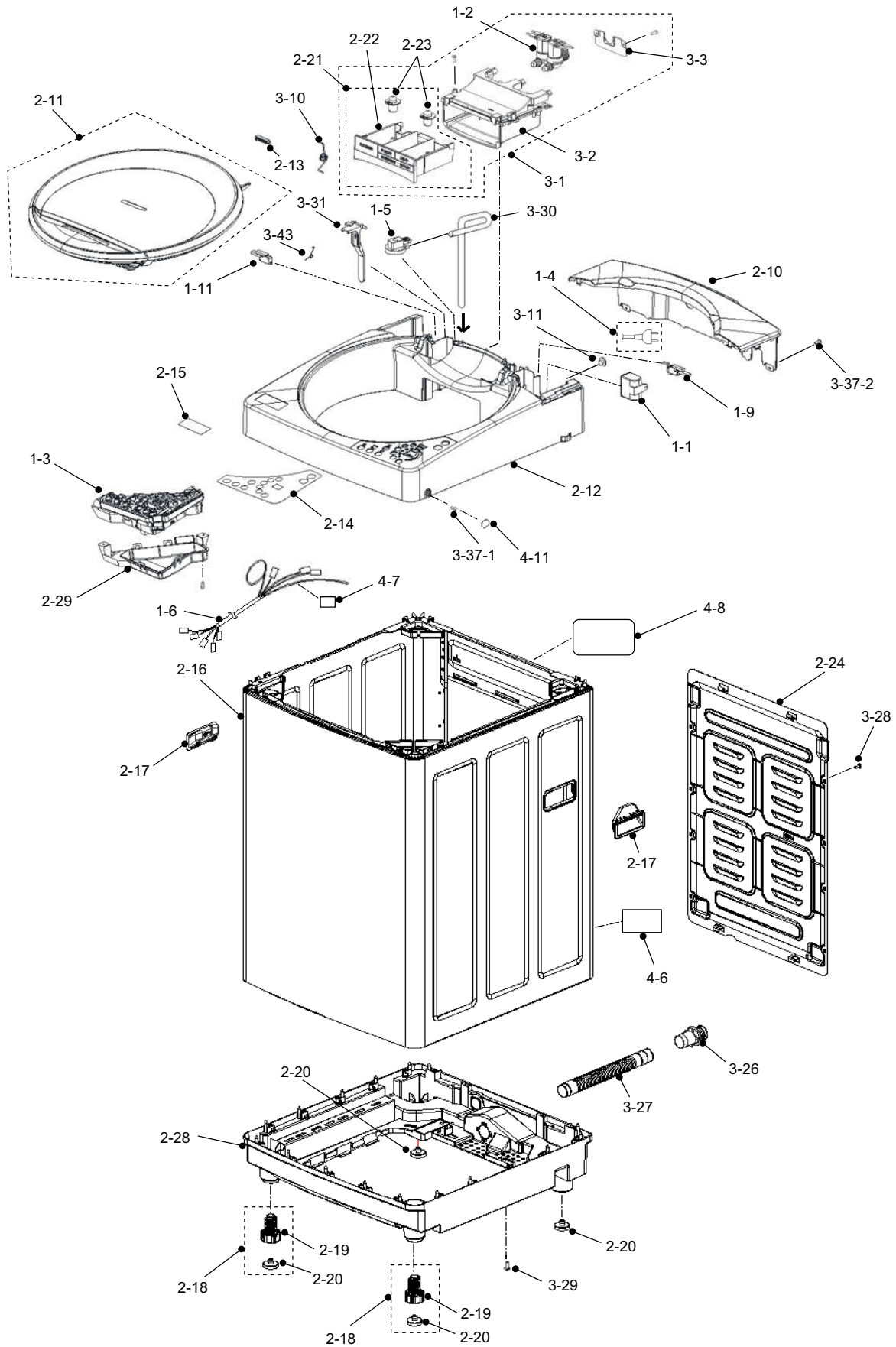


[4] ES-U80GV/U82GV-G/H CABINET

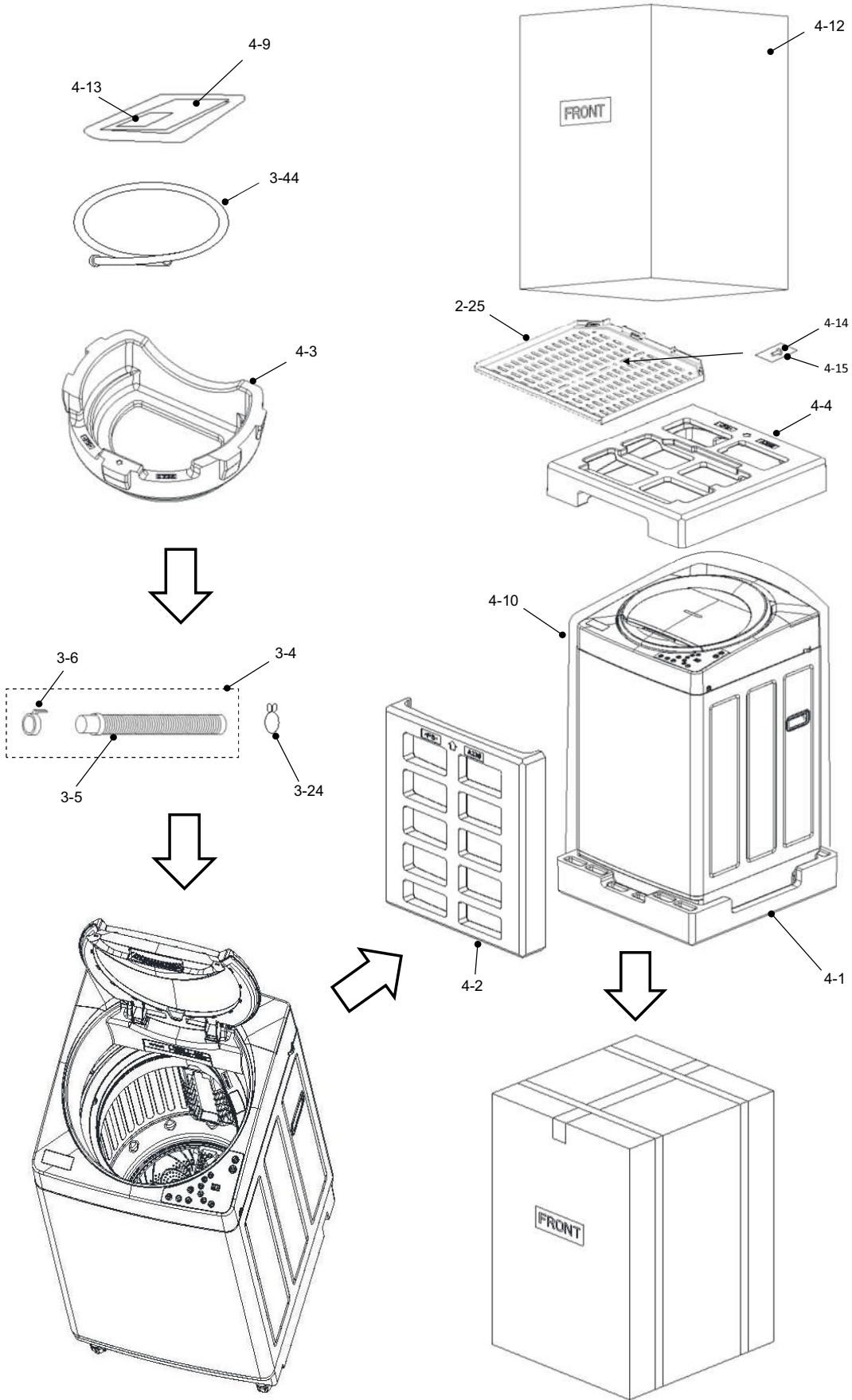


NO.	PARTS CODE	PRICE RANK	NEW MARK	PART RANK	DESCRIPTION
<b>[4] ES-U80GV/U82GV-G/H CABINET</b>					
<b>●ELECTRIC PARTS</b>					
1-1	RC-QZA222QBEZ	AR			CAPACITOR FS
1-2	CVLV-A104QBKZ	AY			WATER SUPPLY VALVE K
1-3	CSGY-A918QBKZ	BH			CIRCUIT ASS'Y [U80GV-G][U80GV-H]
1-3	CSGY-A938QBKZ	BG			CIRCUIT ASS'Y [U82GV-G][U82GV-H]
1-4	QACC-A097QBEZ	AM			AC CORD
1-5	RSNSZA025QBZZ	AQ			WATER LEVEL SENSOR
1-6	QW-VZB819QBZZ	AU			LEAD WIRE ASS'Y
1-9	QSW-MA023QBZZ	AK			LID SWITCH
1-11	QSW-MA024QBZZ	AH			STOP SWITCH
<b>●APPEARANCE PARTS</b>					
2-10	GCoVAA330QBFA	AR			BACK PANEL
2-11	CFTATA826QBKZ	AH			TOP LID ASS'Y [U80GV-G][U82GV-G]
2-11	CFTATA825QBKZ	AH			TOP LID ASS'Y [U80GV-H][U82GV-H]
2-12	GBDYTA170QBFA	BA			TOP COVER
2-13	LPiN-A070QBFBZ	AD			HINGE PIN
2-14	HDEC-B003QBRA	AL			PANEL SHEET [U80GV-G][U80GV-H]
2-14	HDEC-B001QBRA	AL			PANEL SHEET [U82GV-G][U82GV-H]
2-15	TLAB-B105QBRA	AD			PICT SEAL
2-16	DCAB-A156QBKZ	BF			CABINET ASS'Y
2-17	JHNDPA079QBFA	AD			CABINET HANDLE
2-18	CLEG-A152QBKZ	AF			ADJUSTABLE FOOT ASSY
2-19	MLEV-A083QBFC	AF			ADJUSTABLE FOOT NUT
2-20	PCoV-A574QBFBZ	AD			RUBBER FOOT
2-21	CCAS-A264QBKZ	AF			DETERGENTCASE ASS'Y
2-22	GCASPA051QBFA	AH			DETERGENTCASE
2-23	PCAP-A117QBFA	AH			SOFTENER CAP
2-24	GFTARA115QBFA	AL			BACK COVER
2-28	GDAi-A034QBFA	AS			PLASTIC BASE
2-29	PCoVPA053QBFBZ	AF			POWERA CIRCUIT COVER
<b>●STRUCTURE PARTS</b>					
3-1	CKUT-A210QBKZ	AW			WATER SUPPLY BOX DK
3-2	DKUT-A048QBYZ	AL			WATER SUPPLY BOX K
3-3	LPLT-A179QBZ	AG			WATER SUPPLY PLATE 1
3-10	MSPR-A370QBZ	AD			COIL SPRING
3-11	LSTPPA045QBEZ	AD			CORD BUSH
3-26	PVLV-A074QBFBZ	AE			HOSE JOINT
3-27	PHoS-A398QBFBZ	AF			JOINT HOSE
3-28	LX-HZA091QBEZ	AC			LAMI TITE SCREW 10
3-29	LX-HZA094QBEZ	AC			LAMI TITE SCREW 25
3-30	PPiP-A118QBEZ	AF			PRESSURE PIPE
3-31	MLEV-A082QBFBZ	AD			SAFTY-SW LEVER
3-37-1	LX-HZA092QBEZ	AC			TOPCOVER FIXNG SCREW
3-37-2	LX-HZA096QBEZ	AC			TOP COVER SCREW 14
3-43	MSPR-A341QBZ	AC			LID SW-SP
<b>●PRINTING,PACKING,ACCESSORIES</b>					
4-6	PFLT-A115QBEZ	AH			LEAD FELT
4-7	TLAB-A806QBRZ	AC			N LABEL
4-8	TSPCNB460QBRZ	AD			NAMEPLATE [U80GV-G]
4-8	TSPCNB459QBRZ	AD			NAMEPLATE [U80GV-H]
4-8	TSPCNB458QBRZ	AD			NAMEPLATE [U82GV-G]
4-8	TSPCNB457QBRZ	AD			NAMEPLATE [U82GV-H]
4-11	PSEL-A378QBEA	AC			SCREW HINDING SEAL



NO.	PARTS CODE	PRICE RANK	NEW MARK	PART RANK	DESCRIPTION
<b>[5] ES-U80GV/U82GV-G/H TUMBLER</b>					
<b>●ELECTRIC PARTS</b>					
1-7	QW-VZB820QBZZ	AF			LEAD WIRE HC
1-8	QW-VZB821QBZZ	AD			INNER GROUNDING WIRE
1-10	RMoTCA071QBZZ	BD			MOTOR
1-12	CMoT-A283QBKZ	AX			DRAIN MOTOR K
<b>●APPEARANCE PARTS</b>					
2-1	FSoU-A080QBKZ	BG			INNER TUB UNIT
2-2	DWET-A100QBYA	AX			BALANCER ASS'Y
2-3	FCoV-A107QBKZ	AL			FILTER COVER ASS'Y
2-4	PCoV-A657QBFA	AG			FILTER COVER
2-5	CFIL-A101QBKZ	AG			MESH FILTER ASS'Y
2-6	NPUL-A110QBFA	AU			PULSATOR
2-7	PCoV-A664QBFA	AC			PULSATOR COVER
2-8	LX-BZA419QBPZ	AE			PULSATOR SCREW
2-9	LX-WZA153QBWZ	AD			PULSATOR WASHER
2-26	LSoU-A186QBFZ	BB			OUTER TUB
2-30	PCoV-A578QBFB	AK			TUB COVER
<b>●STRUCTURE PARTS</b>					
3-7	FSPR-A175QBKZ	AL			ANTI-VIB SUPPORT K-1
3-8	FSPR-A176QBKZ	AL			ANTI-VIB SUPPORT K-2
3-9	LX-NZA061QBEZ	AL			CENTER NUT
3-12	CVLV-A101QBKZ	AR			DRAIN VALVE ASS'Y
3-13	PCAP-A104QBFZ	AD			DRAIN VALVE CAP
3-14	CPLY-A075QBKZ	AP			FAN PULLEY K
3-15	CX-BZA038QBKZ	AC			FIXING SCREW ASS'Y
3-16	LX-NZA059QBEZ	AE			NUT
3-17	LX-BZA437QBEZ	AE			SPECIAL SCREW
3-18	LPLTMA220QBPZ	AQ			REINFORCEMENT PLATE
3-19	CHLD-A260QBKZ	BL			SHAFT ASSEMBLY
3-20	LX-BZA434QBEZ	AD			HOLDER FIXING SCREW
3-21	LX-HZA093QBEZ	AD			SHAFT FIXING SCREW
3-22	LX-BZA423QBEZ	AC			PC SCREW SUS
3-23	LX-BZA411QBEZ	AD			PC-SCREW SUS-B
3-25	LBNDKA060QBPZ	AD			HOSE BAND 7
3-30	PPiP-A118QBEZ	AF			PRESSURE PIPE
3-32	XBPS750P12000	AD			SCREW M5
3-33	XWSS750-13000	AB			SPRING WASHER
3-34	LX-WZA177QBEZ	AD			SEAL WASHER
3-35	LX-BZA414QBEZ	AD			T SUPPORT SCREW
3-36	LX-BZA416QBEZ	AD			TAPPING SCREW M5*25
3-38	LANGHA055QBPZ	AK			TRANSPORTATION ANGLE
3-39	NBLT-A062QBEZ	AL			V BELT M19.2
3-40	LX-BZA412QBEZ	AF			MOTOR FIXING SCREW
3-41	PZETJA032QBEZ	AE			MOTOR SPACER LOWER
3-42	PZETJA031QBEZ	AE			MOTOR SPACER UPPER

[6] ES-U80GV/U82GV-G/H PACKING,ACCESSORIES



NO.	PARTS CODE	PRICE RANK	NEW MARK	PART RANK	DESCRIPTION
<b>[6] ES-U80GV/U82GV-G/H PACKING,ACCESSORIES</b>					
2-25	GFTA-A109QBFZ	AL			BOTTOM COVER
<b>•STRUCTURE PARTS</b>					
3-4	CHoS-A242QBKZ	AL			DRAIN HOSE ASS'Y
3-5	PHoS-A355QBEA	AM			DRAIN HOSE
3-6	LHLD-A707QBFA	AH			HOSE HOOK
3-24	LBNDKA063QBPZ	AD			HOSE BAND 30
3-44	FHoS-A069QBKZ	AN			WATER SUPPLY HOSE K
<b>•PRINTING,PACKING,ACCESSORIES</b>					
4-1	SPAD-A248QBKZ	AP			BOTTOOM PAD K
4-2	SPAD-A239QBFZ	AL			FRONT PAD
4-3	SPAD-A234QBEZ	AG			INNER TUB HOLD PAD
4-4	SPAD-A235QBFZ	AL			UPPER PAD
4-9	TiNS-A205QBEZ	AH			OPERATION MANUAL
4-10	SSAKHA030QBEZ	AG			POLY COVER
4-12	SPAK-A046QBRZ	AU			PACKING CASE
4-13	TCAUHA549QBRZ	AD			INSTALLATION MANUAL
4-14	XUTWJ40P14000	AC			TAPPING SCREW
4-15	SSAKBA109QBEZ	AC			SCREW BAG

INDEX

PARTS CODE	No.	PRICE RANK	NEW MARK	PART RANK
<b>[ C ]</b>				
CCAS-A264QBKZ	1-2-21	AF		
"	4-2-21	AF		
CFIL-A101QBKZ	2-2-5	AG		
"	5-2-5	AG		
CFTATA825QBKZ	1-2-11	AH		
"	4-2-11	AH		
CFTATA826QBKZ	1-2-11	AH		
"	4-2-11	AH		
CHLD-A260QBKZ	2-3-19	BL		
"	5-3-19	BL		
CHoS-A242QBKZ	3-3-4	AL		
"	6-3-4	AL		
CKUT-A210QBKZ	1-3-1	AW		
"	4-3-1	AW		
CLEG-A152QBKZ	1-2-18	AF		
"	4-2-18	AF		
CMoT-A283QBKZ	2-1-12	AX		
"	5-1-12	AX		
CPLY-A075QBKZ	2-3-14	AP		
"	5-3-14	AP		
CSGY-A918QBKZ	4-1-3	BH		
CSGY-A924QBKZ	1-1-3	BH		
CSGY-A925QBKZ	1-1-3	BH		
CSGY-A938QBKZ	4-1-3	BG		
CVLV-A101QBKZ	2-3-12	AR		
"	5-3-12	AR		
CVLV-A104QBKZ	1-1-2	AY		
"	4-1-2	AY		
CX-BZA038QBKZ	2-3-15	AC		
"	5-3-15	AC		
<b>[ D ]</b>				
DCAB-A156QBKZ	1-2-16	BF		
"	4-2-16	BF		
DKUT-A048QBYZ	1-3-2	AL		
"	4-3-2	AL		
DWET-A100QBYA	2-2-2	AX		
"	5-2-2	AX		
<b>[ F ]</b>				
FCoV-A107QBKZ	2-2-3	AL		
"	5-2-3	AL		
FHoS-A069QBKZ	3-3-44	AN		
"	6-3-44	AN		
FSoU-A080QBKZ	2-2-1	BG		
"	5-2-1	BG		
FSPR-A175QBKZ	2-3-7	AL		
"	5-3-7	AL		
FSPR-A176QBKZ	2-3-8	AL		
"	5-3-8	AL		
<b>[ G ]</b>				
GBDYTA170QBFA	1-2-12	BA		
"	4-2-12	BA		
GCASPA051QBFA	1-2-22	AH		
"	4-2-22	AH		
GCoVAA330QBFA	1-2-10	AR		
"	4-2-10	AR		
GDAi-A034QBFA	4-2-28	AS		
GDAi-A037QBFA	1-2-27	AS		
GFTA-A109QBFZ	3-2-25	AL		
"	6-2-25	AL		
GFTARA115QBFA	1-2-24	AL		
"	4-2-24	AL		
<b>[ H ]</b>				
HDEC-B001QBRA	4-2-14	AL		
HDEC-B003QBRA	4-2-14	AL		
HDEC-B005QBRA	1-2-14	AL		
HDEC-B006QBRA	1-2-14	AL		
<b>[ J ]</b>				
JHNDPA079QBFA	1-2-17	AD		
"	4-2-17	AD		
<b>[ L ]</b>				
LANGHA055QBPZ	2-3-38	AK		
"	5-3-38	AK		
LBNDK A060QBPZ	2-3-25	AD		
"	5-3-25	AD		
LBNDK A063QBPZ	3-3-24	AD		
"	6-3-24	AD		
LHLD-A707QBFA	3-3-6	AH		
"	6-3-6	AH		

PARTS CODE	No.	PRICE RANK	NEW MARK	PART RANK
LPiN-A070QBFZ	1-2-13	AD		
"	4-2-13	AD		
LPLT-A179QBPZ	1-3-3	AG		
"	4-3-3	AG		
LPLTMA220QBPZ	2-3-18	AQ		
"	5-3-18	AQ		
LSoU-A186QBFZ	2-2-26	BB		
"	5-2-26	BB		
LSTPPA045QBEZ	1-3-11	AD		
"	4-3-11	AD		
LX-BZA411QBEZ	2-3-23	AD		
"	5-3-23	AD		
LX-BZA412QBEZ	2-3-40	AF		
"	5-3-40	AF		
LX-BZA414QBEZ	2-3-35	AD		
"	5-3-35	AD		
LX-BZA416QBEZ	2-3-36	AD		
"	5-3-36	AD		
LX-BZA419QBPZ	2-2-8	AE		
"	5-2-8	AE		
LX-BZA423QBEZ	2-3-22	AC		
"	5-3-22	AC		
LX-BZA434QBEZ	2-3-20	AD		
"	5-3-20	AD		
LX-BZA437QBEZ	2-3-17	AE		
"	5-3-17	AE		
LX-HZA091QBEZ	1-3-28	AC		
"	4-3-28	AC		
LX-HZA092QBEZ	1-3-37-1	AC		
"	4-3-37-1	AC		
LX-HZA093QBEZ	2-3-21	AD		
"	5-3-21	AD		
LX-HZA094QBEZ	1-3-29	AC		
"	4-3-29	AC		
LX-HZA096QBEZ	1-3-37-2	AC		
"	4-3-37-2	AC		
LX-NZA059QBEZ	2-3-16	AE		
"	5-3-16	AE		
LX-NZA061QBEZ	2-3-9	AL		
"	5-3-9	AL		
LX-WZA153QBWZ	2-2-9	AD		
"	5-2-9	AD		
LX-WZA177QBEZ	2-3-34	AD		
"	5-3-34	AD		
<b>[ M ]</b>				
MLEV-A082QBFZ	1-3-31	AD		
"	4-3-31	AD		
MLEV-A083QBFC	1-2-19	AF		
"	4-2-19	AF		
MSPR-A341QBPZ	1-3-43	AC		
"	4-3-43	AC		
MSPR-A370QBPZ	1-3-10	AD		
"	4-3-10	AD		
<b>[ N ]</b>				
NBLT-A062QBEZ	2-3-39	AL		
"	5-3-39	AL		
NPUL-A110QBFA	2-2-6	AU		
"	5-2-6	AU		
<b>[ P ]</b>				
PCAP-A104QBFZ	2-3-13	AD		
"	5-3-13	AD		
PCAP-A117QBFA	1-2-23	AH		
"	4-2-23	AH		
PCoV-A574QBFZ	1-2-20	AD		
"	4-2-20	AD		
PCoV-A578QBFB	2-2-30	AK		
"	5-2-30	AK		
PCoV-A657QBFA	2-2-4	AG		
"	5-2-4	AG		
PCoV-A664QBFA	2-2-7	AC		
"	5-2-7	AC		
PCoVPA053QBFZ	1-2-29	AF		
"	4-2-29	AF		
PFLT-A115QBEZ	1-4-6	AH		
"	4-4-6	AH		
PHoS-A355QBEA	3-3-5	AM		
"	6-3-5	AM		
PHoS-A398QBFZ	1-3-27	AF		
"	4-3-27	AF		

PARTS CODE	No.	PRICE RANK	NEW MARK	PART RANK
PPiP-A118QBEZ	1-3-30	AF		
"	2-3-30	AF		
"	4-3-30	AF		
"	5-3-30	AF		
PSEL-A378QBEA	1-4-11	AC		
"	4-4-11	AC		
PVLV-A074QBFZ	1-3-26	AE		
"	4-3-26	AE		
PZETJA031QBEZ	2-3-42	AE		
"	5-3-42	AE		
PZETJA032QBEZ	2-3-41	AE		
"	5-3-41	AE		
<b>[ Q ]</b>				
QACC-A097QBEZ	1-1-4	AM		
"	4-1-4	AM		
QSW-MA023QBZZ	1-1-9	AK		
"	4-1-9	AK		
QSW-MA024QBZZ	1-1-11	AH		
"	4-1-11	AH		
QW-VZB819QBZZ	1-1-6	AU		
"	4-1-6	AU		
QW-VZB820QBZZ	2-1-7	AF		
"	5-1-7	AF		
QW-VZB821QBZZ	2-1-8	AD		
"	5-1-8	AD		
<b>[ R ]</b>				
RC-QZA222QBEZ	1-1-1	AR		
"	4-1-1	AR		
RMoTCA071QBZZ	2-1-10	BD		
"	5-1-10	BD		
RMoTCA073QBZZ	2-1-10	BC		
RSNSZA025QBZZ	1-1-5	AQ		
"	4-1-5	AQ		
<b>[ S ]</b>				
SPAD-A234QBEZ	3-4-3	AG		
"	6-4-3	AG		
SPAD-A235QBFZ	3-4-4	AL		
"	6-4-4	AL		
SPAD-A239QBFZ	3-4-2	AL		
"	6-4-2	AL		
SPAD-A248QBKZ	3-4-1	AP		
"	6-4-1	AP		
SPAK-A046QBRZ	6-4-12	AU		
SPAK-A047QBRZ	3-4-12	AU		
SSAKBA109QBEZ	3-4-15	AC		
"	6-4-15	AC		
SSAKHA030QBEZ	3-4-10	AG		
"	6-4-10	AG		
<b>[ T ]</b>				
TCAUHA549QBRZ	3-4-13	AD		
"	6-4-13	AD		
TiNS-A205QBEZ	3-4-9	AH		
"	6-4-9	AH		
TLAB-A806QBRZ	1-4-7	AC		
"	4-4-7	AC		
TLAB-B105QBRA	1-2-15	AD		
"	4-2-15	AD		
TSPCNB457QBRZ	4-4-8	AD		
TSPCNB458QBRZ	4-4-8	AD		
TSPCNB459QBRZ	4-4-8	AD		
TSPCNB460QBRZ	4-4-8	AD		
TSPCNB461QBRZ	1-4-8	AD		
TSPCNB462QBRZ	1-4-8	AD		
TSPCNB463QBRZ	1-4-8	AD		
TSPCNB464QBRZ	1-4-8	AD		
<b>[ X ]</b>				
XBPS750P12000	2-3-32	AD		
"	5-3-32	AD		
XUTWJ40P14000	3-4-14	AC		
"	6-4-14	AC		
XWSS750-13000	2-3-33	AB		
"	5-3-33	AB		