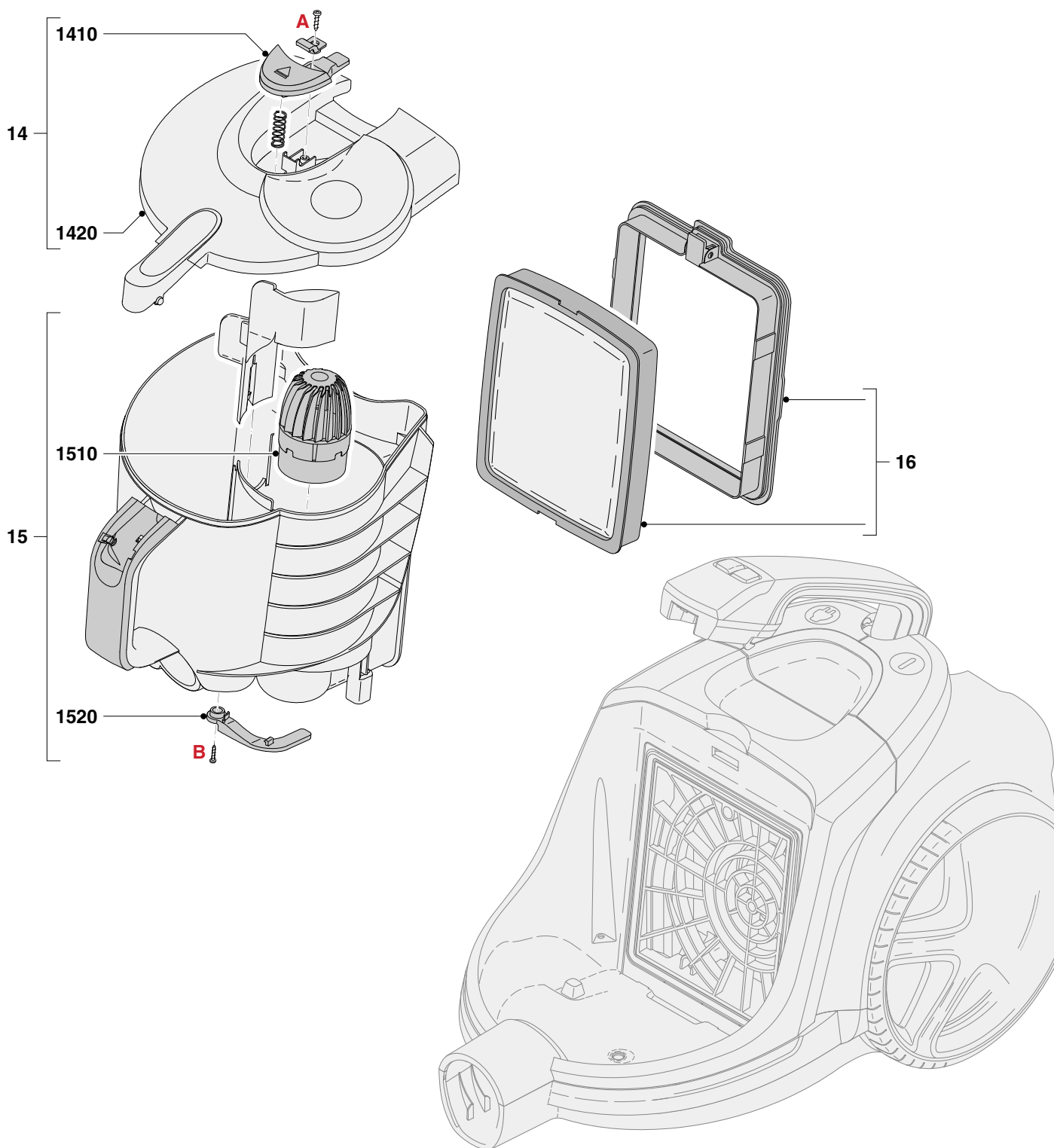


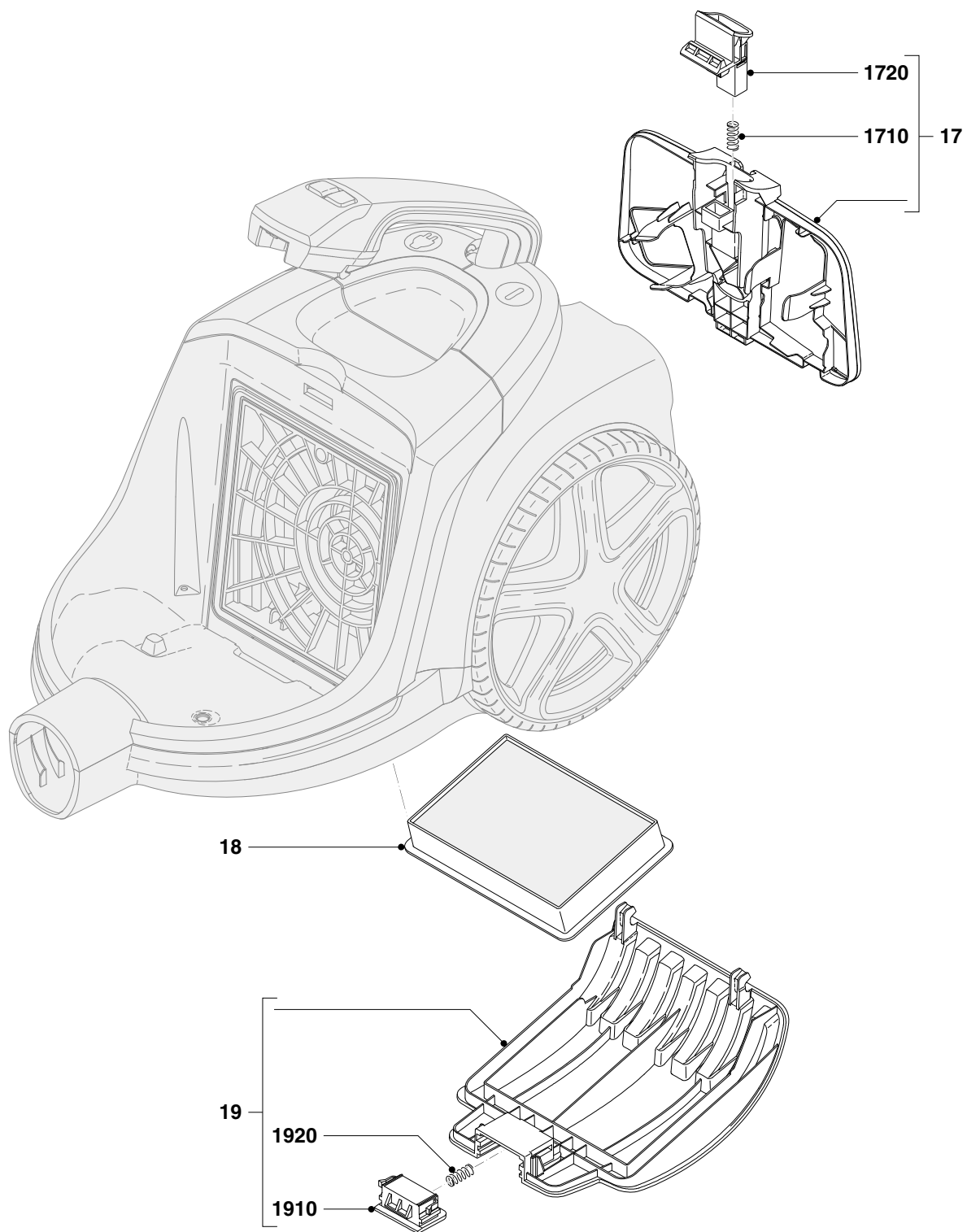
Pos	Service code	Description	Remark	CRP
1	9965 100 78067	Hose assy	Incl. C-Bend / Integr. Brush	
110	4322 004 27041	Hose assy HE	Diam. 45 mm KC	CP0185/01
120	4322 004 27061	C-Bend + Integrated brush	35 mm KC	
3	4322 004 26244	2-piece T.T. Tube	Active lock	CP0187/01
4	4322 004 27021	Crevice nozzle	Deep Black KC	CP0188/01
5	4322 004 27031	Small nozzle	Deep black KC	
6	4322 004 26191	Tri-Active+ LC nozzle	Deep black 35 mm Act. Lock	

Service parts

FC9728/01 /61 /71

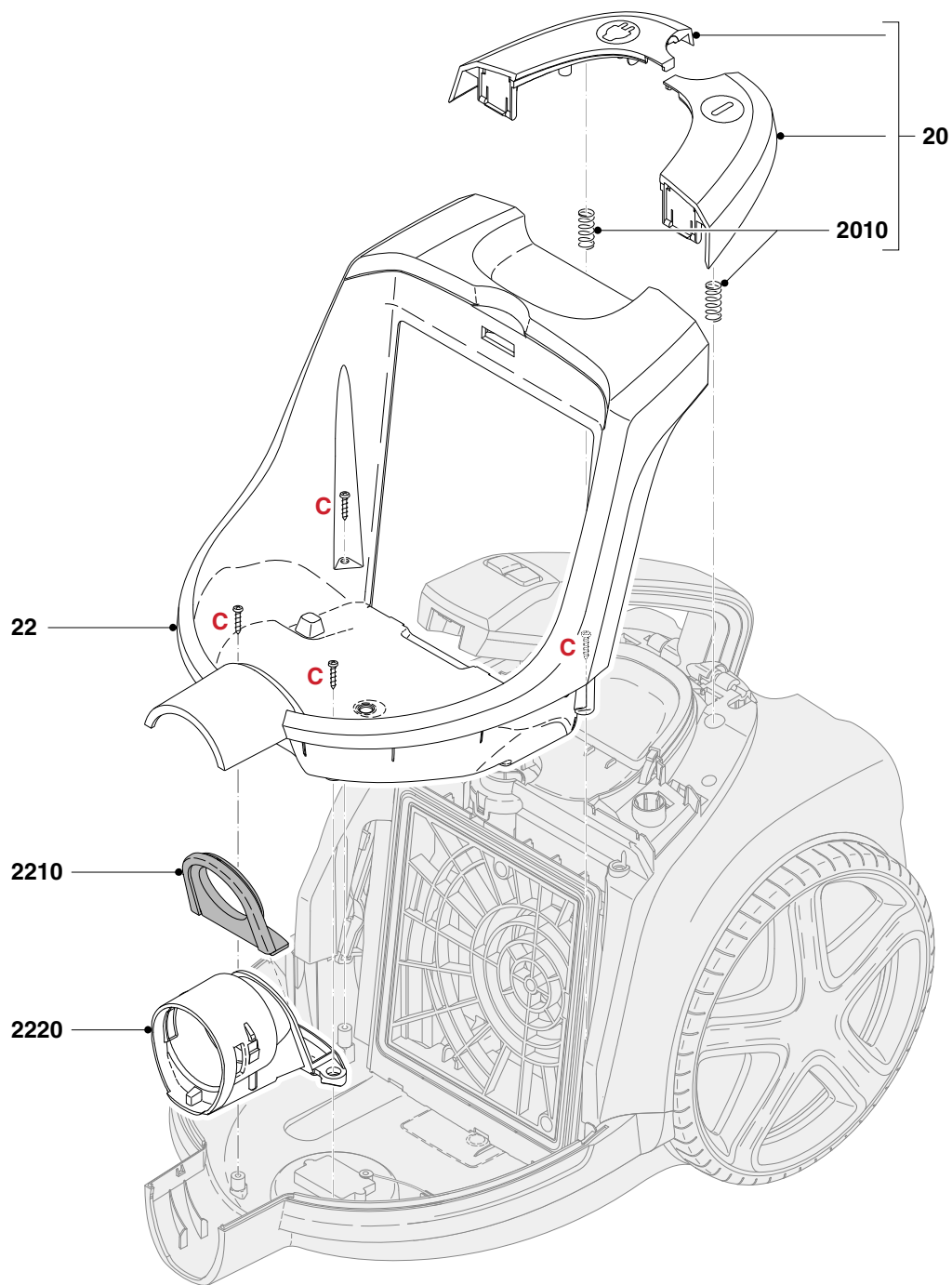


Pos	Service code	Description	Remark
14	9965 100 78197	Bucket Lid assy	Transparent Steel Silver
1410		Bucket Lid	
1420		Bucket release button	
15	4322 005 38571	Bucket assy	
1510		Vortex + Vortex cap	
1520		Filter presency Button	
16	4322 004 94512	Integrated filter	Maestro



Pos	Service code	Description
17	9965 100 78139	Accessory cover assy
1710		Accessory cover Spring
1720		Accessory cover Button
18	3000 010 18621	EPA10 Exhaust filter Mid End

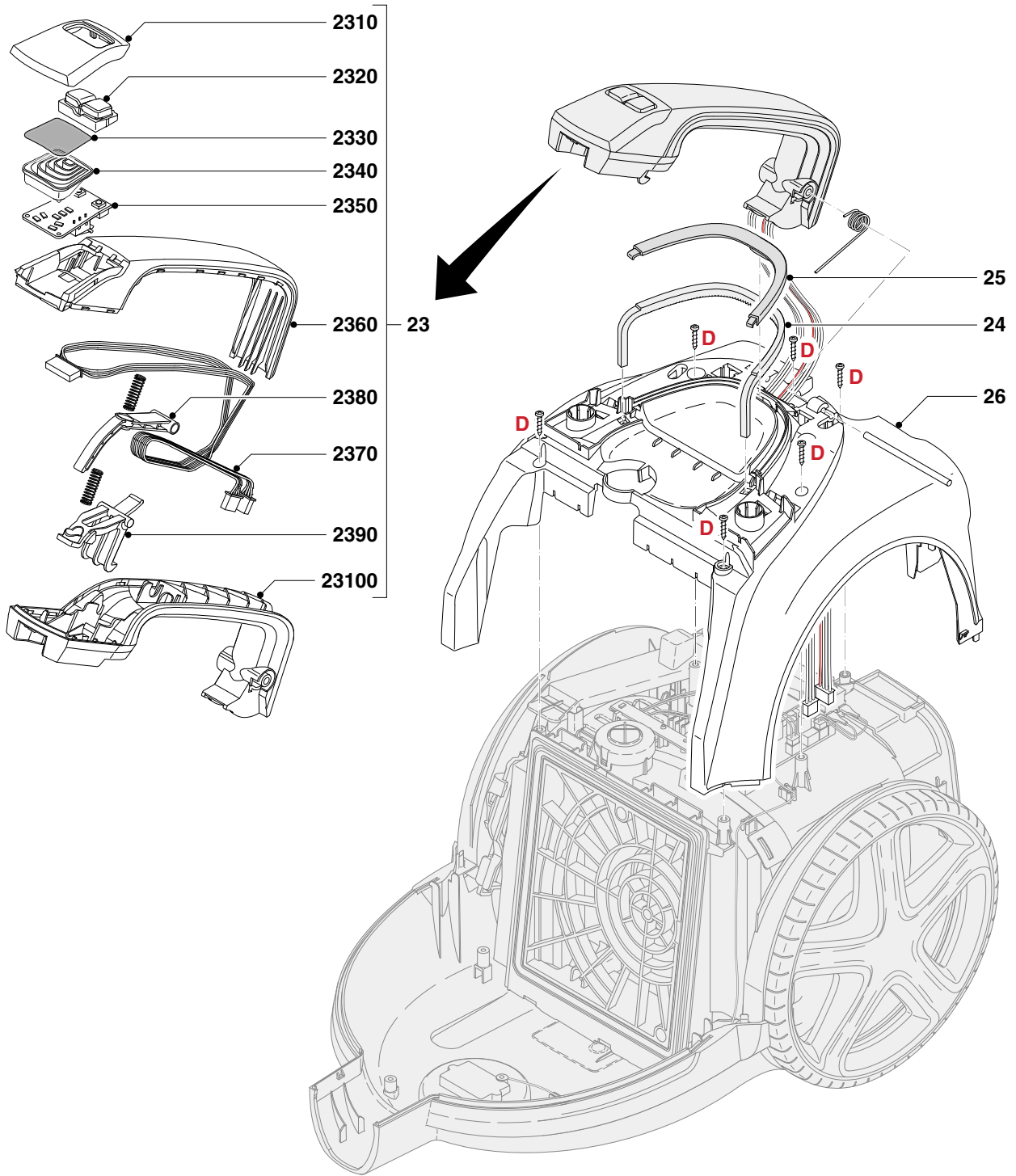
Pos	Service code	Description
19	4322 005 38551	Exhaust grill assy
1910		Exhaust grill Button
1920		Exhaust grill Spring



Pos	Service code	Description	Remark
20	9965 100 78444	On/off button + CW Button	
2010		Spring under Buttons	
22	9965 100 78132	Front housing	Monza Red
2210	9965 100 79458	Dust outlet seal	
2220		Dust outlet	

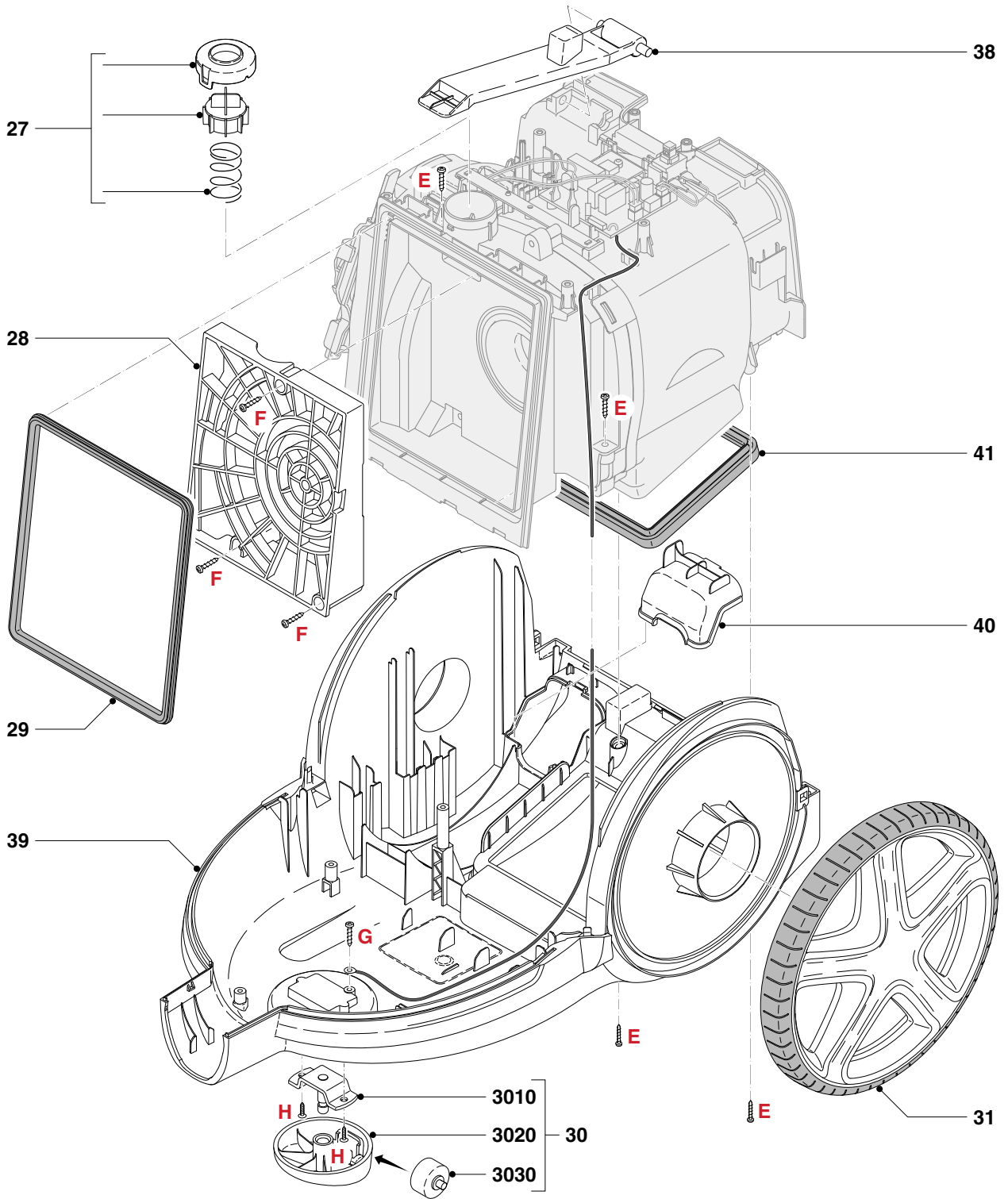
Service parts

FC9728/01 /61 /71



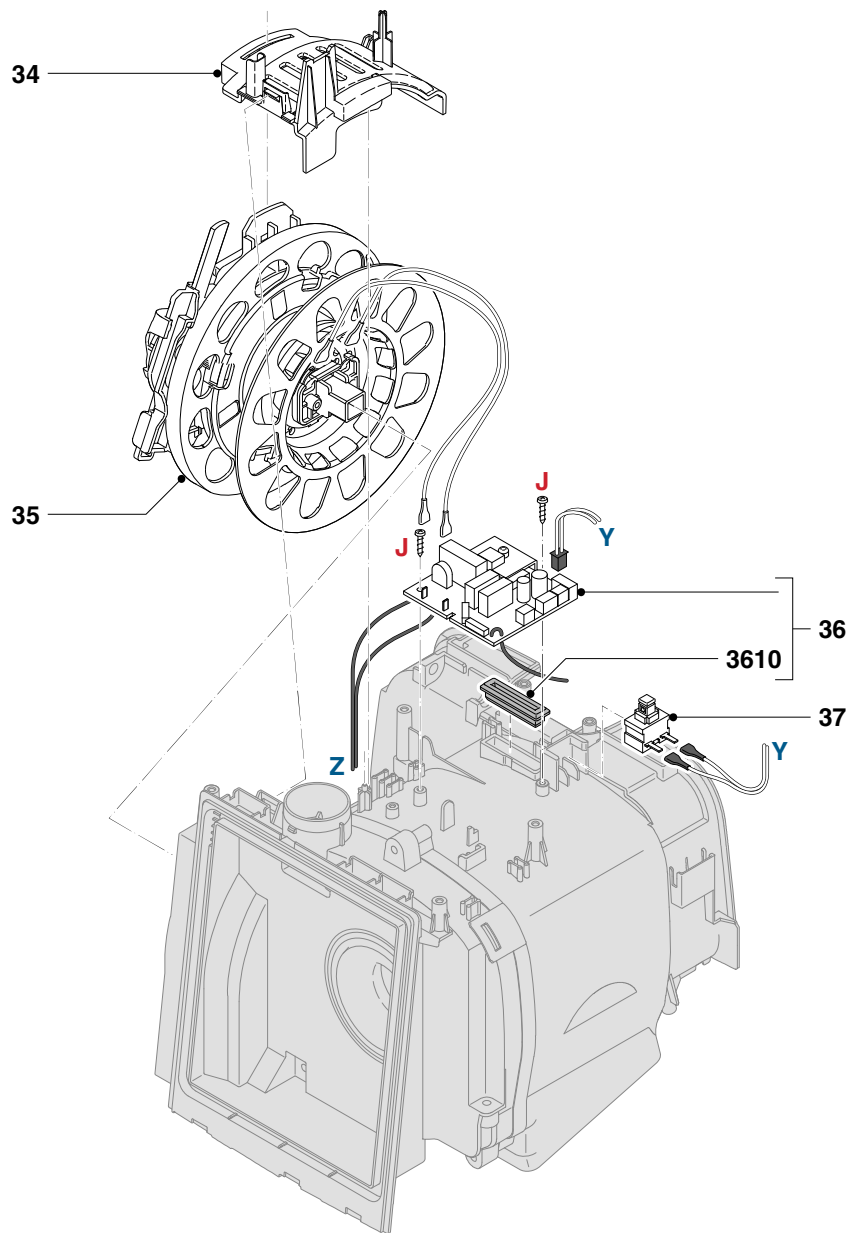
Pos	Service code	Description / Remark
23	9965 100 80387	Handle cover assy incl. buttons and wiring / Monza Red
2310	9965 100 78137	UI Cover
2320	9965 100 78133	UI Buttons
2330		
2340		
2350	3000 011 32961	High Power ESP Speed Board
2360		

Pos	Service code	Description / Remark
2370		
2380		
2390		
23100		Top handle lower
24	9965 100 78072	Light box
25	9965 100 78196	Light guide cover
26	9965 100 78128	Back housing

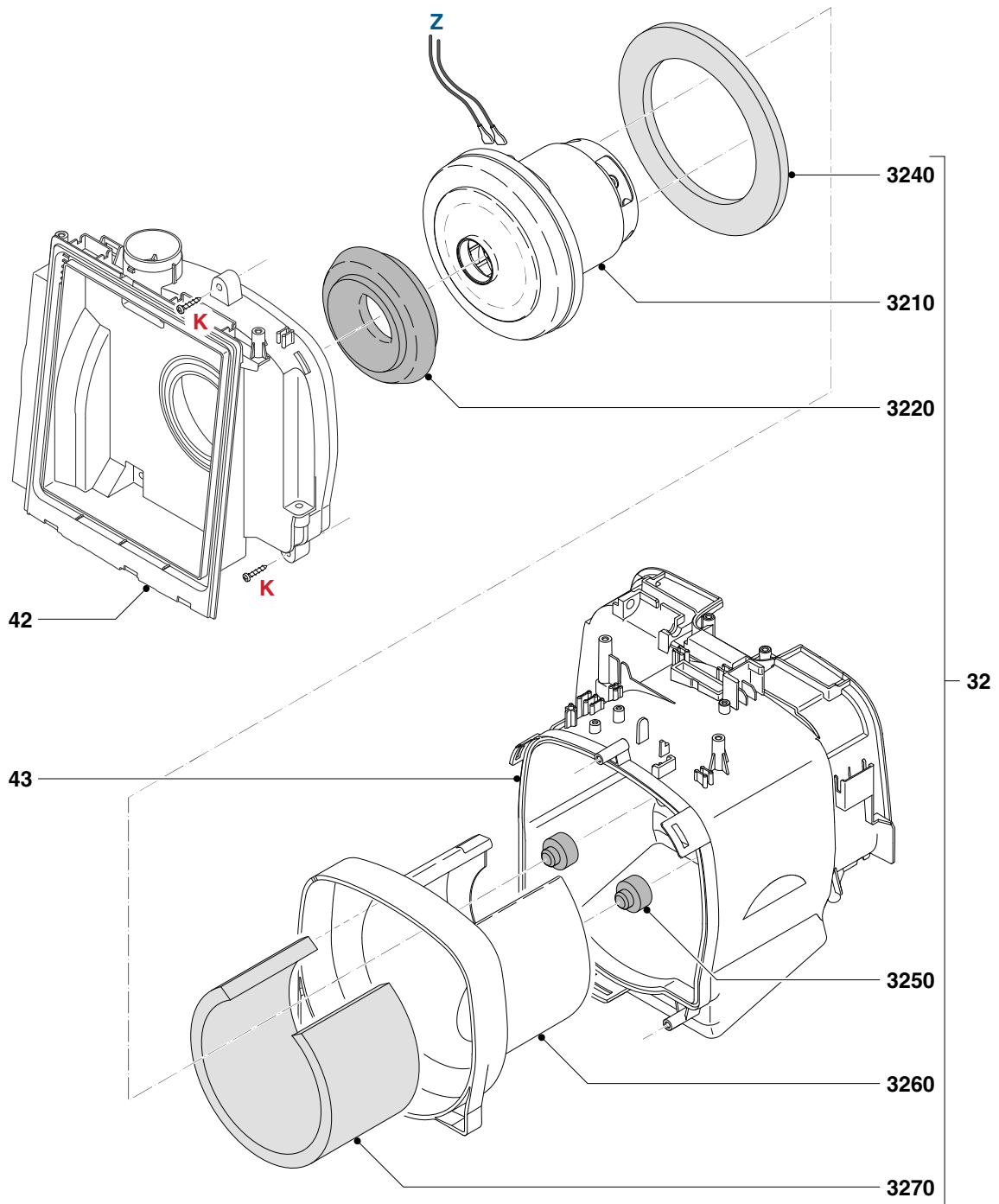


Pos	Service code	Description
27		Safety valve assy
28	9965 100 78135	Motor filter Frame
29		Seal for Motor filter frame
30	9965 100 78131	Casterdish assy
3010		Casterdish plate
3020		Casterdish

Pos	Service code	Description / Remark
3030		Casterdish wheel
31	9965 100 78069	Rearwheel assy / Deep Black
38		Cordwinder lever
39		Lower housing
40		Cord outlet
41		Sealing Motor housing



Pos	Service code	Description	Remark
34		Cordwinder cover	
35	4322 005 38501	Cordwinder Maestro	1 mm / 7m / Euro plug
	3000 016 80011	Cordwinder Maestro	1.00 / 7m / UK plug
	3000 016 80021	Cordwinder Maestro	1.00 / 7m / AU plug
36	3000 011 32941	High Power ESP circuit board	
3610		Rubber seal PCB	
37	9965 100 76936	Switch	



Pos	Service code	Description
32	4322 009 01421	Motor assy High Power
3210	4322 006 99782	458NG 650 Watt 230 V
3220	4322 001 76081	Buffer front LP
3240		Motor cloth down
3250		Rubber buttons (2x)

Pos	Service code	Description
3260		Motor housing
3270		Motor cloth around
42		Separation wall
43		