

JAR RICE COOKER

MODEL

KS-TH18

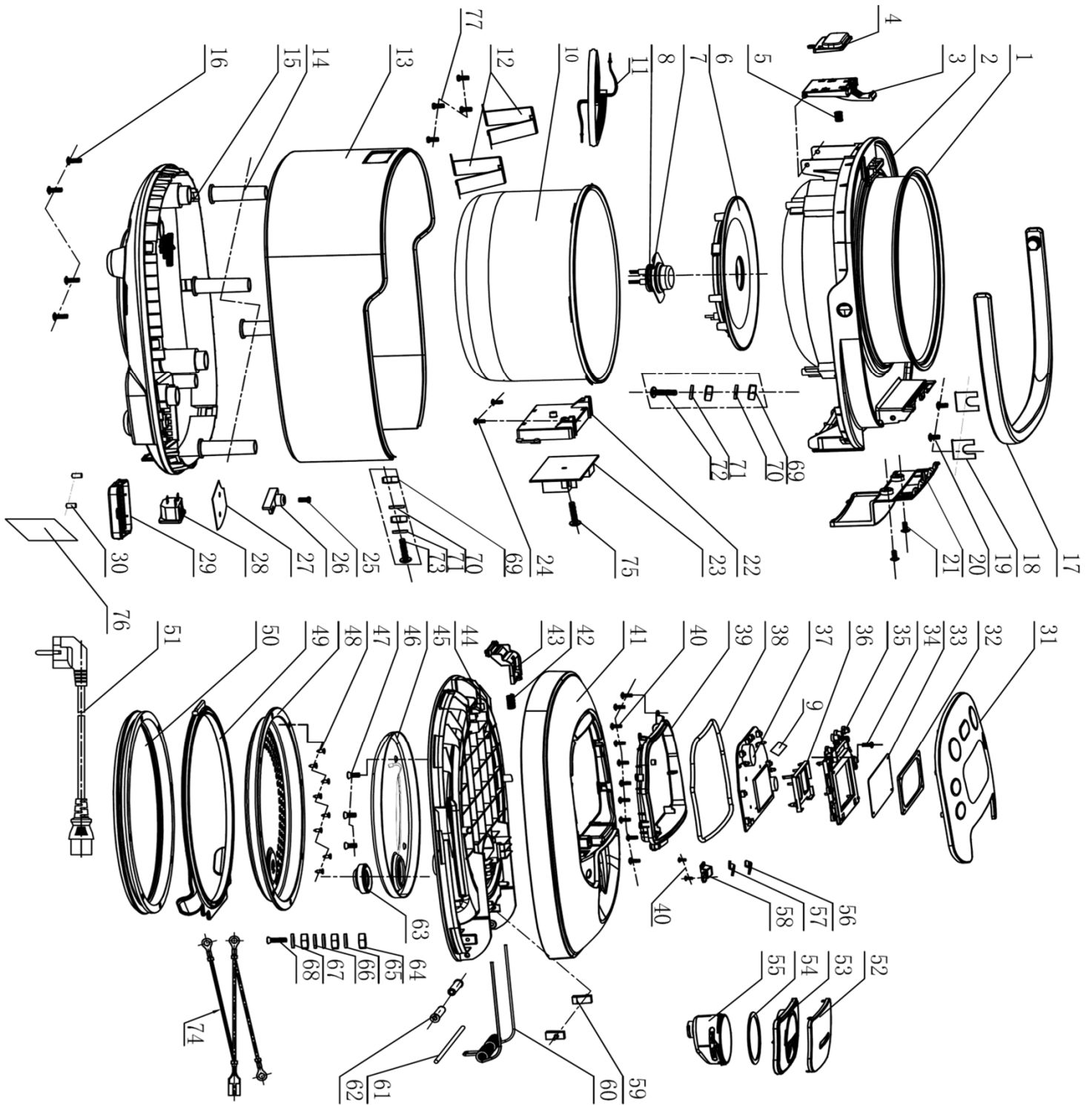


CONTENTS

[1] KS-TH18

Parts marked with "▲" are important for maintaining the safety of the set. Be sure to replace these parts with specified ones for maintaining the safety and performance of the set.

[1] KS-TH18



NO.	PARTS CODE	PRICE RANK	NEW MARK	PART RANK	DESCRIPTION
[1] KS-TH18					
1	9KS4001016140	BC	N		Inner Pot
2	9KS6001090222	AQ	N		Supporting Ring
	9KS6001090221	AQ	N		Supporting Ring
	9KS6001090205	AQ	N		Supporting Ring
3	9KS6001210878	AD	N		Switch Bottom Bracket
4	9KS5151220061	AF	N		Open Bottom
5	9KS1058100054	AB	N		Spring
6	none	AU			Heating Plate (230V/790W)

NO.	PARTS CODE	PRICE RANK	NEW MARK	PART RANK	DESCRIPTION
[1] KS-TH18					
6	9KS1001170564	AU	N		Heating Plate (220V/790W)
7	9KS1001113019	AN	N		Sensor Assy
8	9KS1050200002	AC	N		Sensor Spring
9	9KS3025010011	AC	N		Dryer
10	9KS1001026013	AR	N		Outer Pot
11	9KS1001210806	AL	N		Out Heating Assy
12	9KS1151210255	AC	N		Outer Pot Bracket
13	9KS1001030113	AU	N		Body [GD]
	9KS1001035812	AU	N		Body [WH]
	9KS1001035815	AU	N		Body [RD]
14	9KS6001210808	AC	N		Base Long Pitman [GD]
	9KS6001210856	AC	N		Base Long Pitman [WH]
	9KS6001210854	AC	N		Base Long Pitman [RD]
15	9KS6001070374	AP	N		Base [GD]
	9KS6001070386	AP	N		Base [WH]
	9KS6001070385	AP	N		Base [RD]
16	9KS1011204140	AB	N		SB4x14 Bolt
17	9KS6001065156	AK	N		Handle [GD]
	9KS6001065180	AK	N		Handle [WH]
	9KS6001065179	AK	N		Handle [RD]
18	9KS1151210190	AC	N		Handle Baffle
19	9KS1011103100	AB	N		SB3x10 Bolt
20	9KS6001100103	AF	N		Hinge Cover [GD]
	9KS6001100115	AF	N		Hinge Cover [WH]
	9KS6001100114	AF	N		Hinge Cover [RD]
21	9KS1013104120	AB	N		UB4x12 SUS304 Bolt
22	9KS6151210553	AG	N		Plugboard Bracket
23	9KS1001075115	AW	N		Plugboard
24	9KS1011204120	AB	N		SB4x12 Bolt
25	9KS1011103080	AB	N		SB3x8 Bolt
26	9KS6001200002	AC	N		Electrical Outlet Baffle
27	9KS1001221002	AB	N		Base Fireproofing Ban
28	9KS7013010009	AF	N		Appliances Inlet
29	9KS6001210863	AD	N		Bracket [GD & WH]
	9KS6001210853	AD	N		Bracket [RD]
30	9KS6151170002	AB	N		Base Silica Gel
31	9KS5010010017	AU	N		Faceplate [GD]
	9KS5010010019	AU	N		Faceplate [WH]
	9KS5010010018	AU	N		Faceplate [RD]
32	9KS5007015132	AE	N		Scutcheon Pressurization
33	9KS6001150208	AE	N		Scutcheon
34	9KS1017203100	AB	N		ST3x10 Bolt
35	9KS6001210804	AF	N		Key-Press Bracket
36	none				LCD Bracket
37	9KS1001153006	AY	N		Plugboard Assy
38	9KS6151150040	AE	N		Faceplate Pressurization
39	9KS6001210803	AF	N		Plugboard Box
40	9KS1017203100	AB	N		ST3x10 Bolt
41	9KS6001020304	AN	N		Lid [GD]
	9KS6001020315	AN	N		Lid [WH]

NO.	PARTS CODE	PRICE RANK	NEW MARK	PART RANK	DESCRIPTION
[1] KS-TH18					
41	9KS6001020314	AN	N		Lid [RD]
42	9KS1058100051	AB	N		Spring
43	9KS6001190006	AC	N		Inner Lid Button
44	9KS6001030305	AP	N		Inner Liner of Upper Lid [GD]
44	9KS6001030318	AP	N		Inner Liner of Upper Lid [WH]
	9KS6001030317	AP	N		Inner Liner of Upper Lid [RD]
45	9KS1001051114	AR	N		Cover fuse Assy
	9KS3001210013	AR	N		Cover heater Assy
46	9KS1016103081	AC	N		UT3x8 Bolt
47	9KS1016103081	AC	N		UT3x8 Bolt
48	9KS1001060007	AS	N		Inner Lid
49	9KS6001210806	AG	N		Inner Lid Bracket [GD]
	9KS6001210855	AG	N		Inner Lid Bracket [WH]
	9KS6001210852	AG	N		Inner Lid Bracket [RD]
50	9KS6001150207	AH	N		Inner Lid Pressurization
51	9KS7011030116	AM	N		Electrical Wire Assy
52	9KS1151180116	AE	N		Steam Vent Cover
53	9KS6001055054	AE	N		Upper Steam Vent [GD]
	9KS6001055072	AE	N		Upper Steam Vent [WH]
	9KS6001055070	AE	N		Upper Steam Vent [RD]
54	9KS6151150038	AC	N		Steam Vent Pressurization
55	9KS6001055053	AE	N		Lower Steam Vent [GD]
	9KS6001055073	AE	N		Lower Steam Vent [WH]
	9KS6001055071	AE	N		Lower Steam Vent [RD]
56	9KS3027020006	AB	N		Electrical Wire Pressurization A
57	9KS3027020007	AB	N		Electrical Wire Pressurization B
58	9KS6002210286	AC	N		Electrical Wire Fixation Ban
59	9KS6151210192	AC	N		Friction Block
60	9KS1058100057	AG	N		Spring of Top Lid
61	9KS5151160021	AC	N		Spring of Shaft
62	9KS6001210875	AC	N		Top Lid Spring Convention
63	9KS6151150034	AC	N		Steam Pressurization
64	9KS1030103001	AB	N		M3 Nut
65	9KS1020303000	AB	N		Dentiform Gasket
66	9KS1020103000	AB	N		Gasket
67	9KS1020203000	AB	N		Dentiform Gasket
68	9KS1010040001	AB	N		M3x20 SUS304 Safety Bolt
69	9KS1030104000	AC	N		M4 Nut
70	9KS1020204001	AB	N		Spring Gasket
71	9KS1020304000	AB	N		Dentiform Gasket
72	9KS1010104121	AB	N		M4x12 Bolt
73	9KS1010704121	AB	N		M4x12 SUS304 Safety Bolt
74	9KS1001060643	AF	N		Earthing Electrical Wire
75	9KS1013204100	AB	N		UB4x10 SUS304 Bolt
76	9KS5001016171	AC	N		Stander Sticker [GD]
	9KS5001016173	AC	N		Stander Sticker [WH]
	9KS5001016172	AC	N		Stander Sticker [RD]
77	9KS1012104080	AC	N		SS4x8 Bolt