

SHARP PARTS LIST

MICROWAVE OVEN WITH STEAM AND GRILL

MODELS **AX-1100V(S)**
AX-1100V(R)

Parts marked "*" may cause undue microwave exposure.
Parts marked "△" are used in voltage more than 250V.

CONTENTS

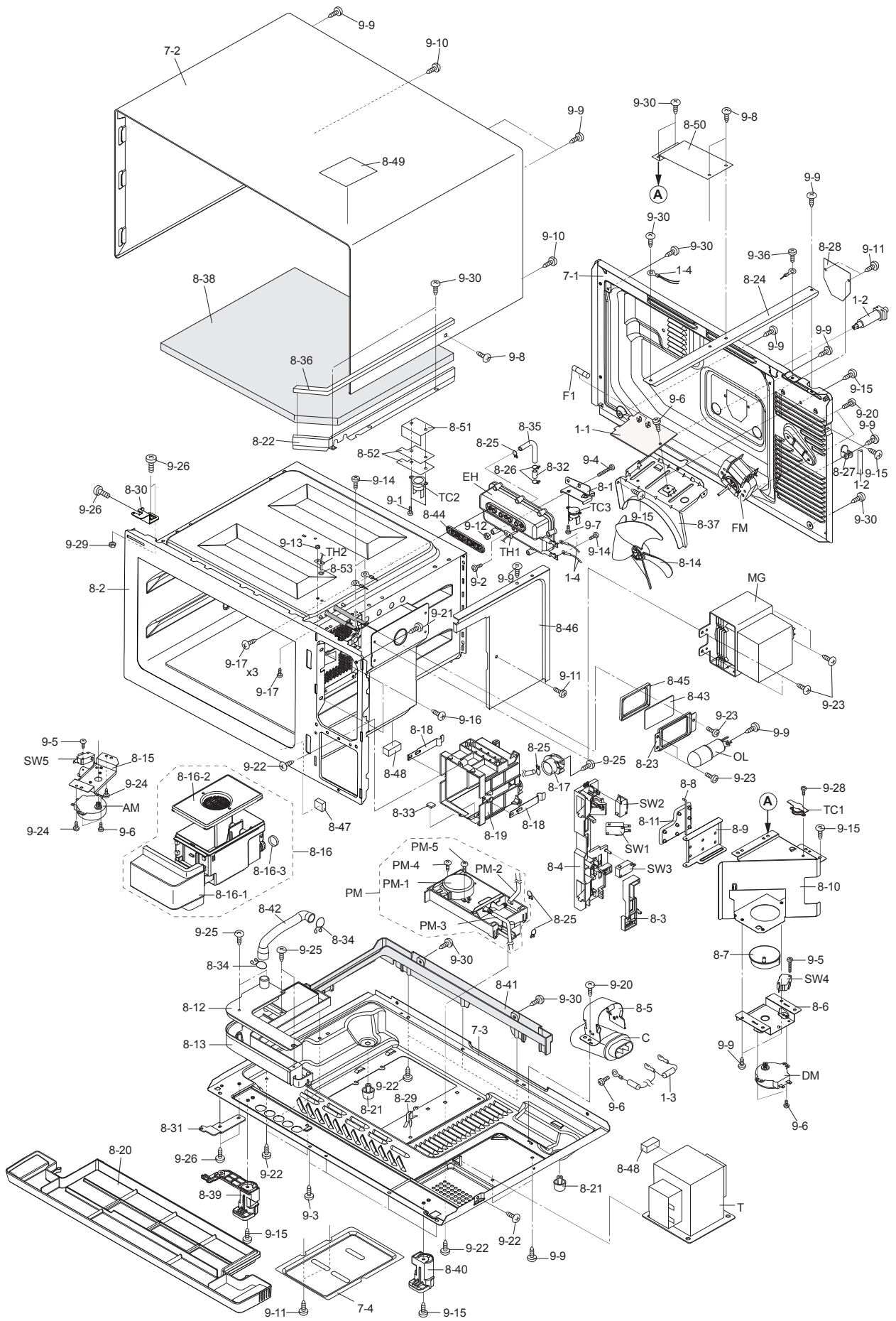
- | | |
|-------------------------------------|------------------------------------|
| [1] OVEN PARTS | [3] ACCESSORY PARTS AND
PACKING |
| [2] DOOR AND CONTROL PANEL
PARTS | ■ INDEX |

HOW TO ORDER REPLACEMENT PARTS

To have your order filled promptly and correctly, please furnish the following information.

1. MODEL NUMBER
2. REF. NO.
3. PART NO.
4. DESCRIPTION

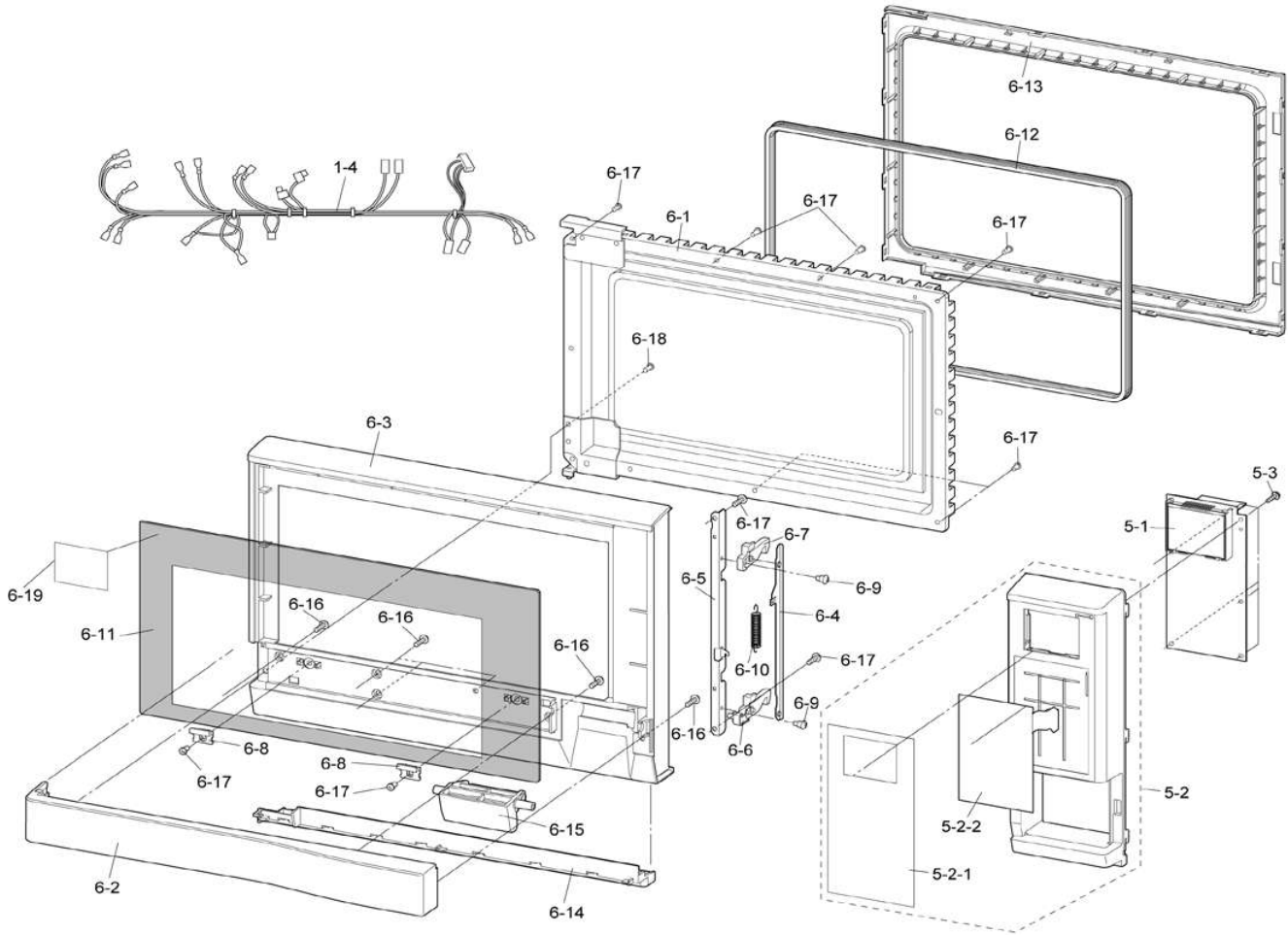
[1] OVEN PARTS



NO.	PARTS CODE	PRICE RANK	NEW MARK	PART RANK	DESCRIPTION
[1] OVEN PART					
ELECTRIC PARTS					
	AM	RMOTDA280WRZZ	AQ		Antenna Motor (Turntable Motor)
	C	RC-QZA352WRZZ	AS		HV Capacitor
△	DM	RMOTDA280WRZZ	AQ		Intake Damper Motor (Turntable Motor)
	EH	CHET-A024WRKZ	BC		Engine Unit Assembly (Engine Heating Element)
	F1	QFS-CA026WRZZ	AH		Fuse 10A
	FM	RMOTE478WRZZ	AS		Fan Motor
△ *	MG	RV-MZA347WRZZ	BH		Magnetron
	OL	RLMPTA101WRZZ	AM		Oven Light (Oven Lamp)
	OL	RLMPTA083WRZZ	AM		Oven Light (Oven Lamp) (Interchangeable)
	OL	RLMPTA088WRZZ	AN		Oven Light (Oven Lamp) (Interchangeable)
	PM	FMOT-A044WRKZ	AZ		Tube Pump Assembly
	PM-1	RMOTDA280WRZZ	AQ		Turntable Motor (Pm : Pump Motor)
	PM-2	PTUBXA080WREZ	AG		Water Tube
	PM-3	PTUBXA081WREZ	AH		Pump Tube L
	PM-4	XHPS740P08K00	AB		Screw : 4mm X 8mm
	PM-5	XEPS740P08000	AB		Screw : 4mm X 8mm
	SW1	QSW-MA146WRZZ	AM		Monitored Interlock Switch
	SW1	QSW-MA087WRE0	AF		Monitored Interlock Switch (Interchangeable)
	SW2	QSW-MA148WRZZ	AF		Monitor Switch
	SW2	QSW-MA086WRE0	AF		Monitor Switch (Interchangeable)
	SW3	QSW-MA147WRZZ	AG		Door Sensing Switch
	SW3	QSW-MA085WRE0	AF		Door Sensing Switch (Interchangeable)
	SW4	QSW-MA132WRE0	AH		Intake Damper Switch
	SW5	QSW-MA147WRZZ	AG		Antenna Switch
	SW5	QSW-MA085WRE0	AF		Antenna Switch (Interchangeable)
△	T	RTRN-A796WRZZ	BG		High Voltage Transformer
	TC1	RTHM-A168WRZZ	AH		Thermal Cut Out (Mg Thermal Cut-Out)
	TC2	RTHM-A149WRZZ	AK		Sh Thermostat (Oven Thermal Cut-Out)
	TC2	RTHM-A144WRZZ	AF		Sh Thermostat (Oven Thermal Cut-Out) (Interchangeable)
	TC3	RTHM-A149WRZZ	AK		SH Thermostat (Engine Thermal Cut-Out)
	TC3	RTHM-A144WRZZ	AF		SH Thermostat (Engine Thermal Cut-Out) (Interchangeable)
	TH1	FH-HZA100WREZ	AN		Thermistor (Thermisotr (Engine))
	TH2	FH-HZA099WREZ	AN		Thermistor (Grill)
	1-1	FPWBF369WRKZ	AT		Fuse holder assy
	1-2	QACC-A187WRZZ	AU		Power Supply Cord
	1-2	QACC-A174WRZZ	AX		Power Supply Cord (Interchangeable)
△	1-3	FH-DZA135WRZZ	AR		HV Rectifier Assembly
	1-4	FW-VZC338WREZ	BC		Main Harness
CABINET PARTS					
	7-1	GCABDA170WRWZ	AV		Back Plate
	7-2	GCABUB219WRPZ	BE		Outer Case Cabinet [AX-1100V(S)]
	7-2	GCABUB256WRPZ	AZ		Outer Case Cabinet [AX-1100V(R)]
	7-3	GDAI-A476WRWZ	AW		Bottom Plate
	7-4	GDAI-A478WRWZ	AX		Bottom Plate Cover
MECHANICAL PARTS					
	8-1	LANGKB469WRPZ	AD		Engine Thermo Ag
*	8-2				Oven Assembly
	8-3	MLEVPA299WRFZ	AG		Switch Lever
*	8-4	PHOK-A172WRFZ	AK		Latch Hook
	8-5	LBNDKA172WRPZ	AM		Hv Capacitor Band
	8-6	LANGTA529WRPZ	AG		Air Damper Motor Angle
	8-7	MCAMPA188WRFZ	AK		Air Damper Cam
	8-8	NSFT-A007WREZ	AF		Damper Shaft
	8-9	PDMP-A004WRPZ	AG		Air Damper
	8-10	PDUC-B197WRPZ	AL		Air Duct
	8-11	PPAC-A164WREZ	AH		Air Damper Packing
	8-12	MJNTPA020WRFZ	AH		Steam Ex Joint
	8-13	PDUC-B201WRFZ	AH		Steam Ex Duct
	8-14	NFANJA038WRE0	AG		Fan Blade
	8-15	LANGKB126WRPZ	AK		Tt Motor Mount Angle
	8-16	FTNK-A033WRKZ	AZ		Tank Assembly (Water Tank) [AX-1100V(S)]
	8-16	FTNK-A034WRKZ	BA		Tank Assembly (Water Tank) [AX-1100V(R)]
	8-16-1	FDEC-A005WRKZ	AU		Tank Front Assembly [AX-1100V(S)]
	8-16-1	FDEC-A006WRKZ	AV		Tank Front Assembly [AX-1100V(R)]
	8-16-2	PCOVPA539WRFZ	AG		Tank Lid
	8-16-3	PPAC-A018WREZ	AC		Tank Packing
	8-17	MJNTPA019WRFZ	AF		Tank Joint
	8-18	MSPRPA108WREZ	AF		Tank Spring
	8-19	PCOVPA537WRFZ	AN		Tank Cover
	8-20	GCUPPA029WRFZ	AN		Dew Tray (Drip Tray)
	8-21	GLEGPA074WRE0	AC		Leg
	8-22	LANG-A146WRPZ	AH		Separate Angle

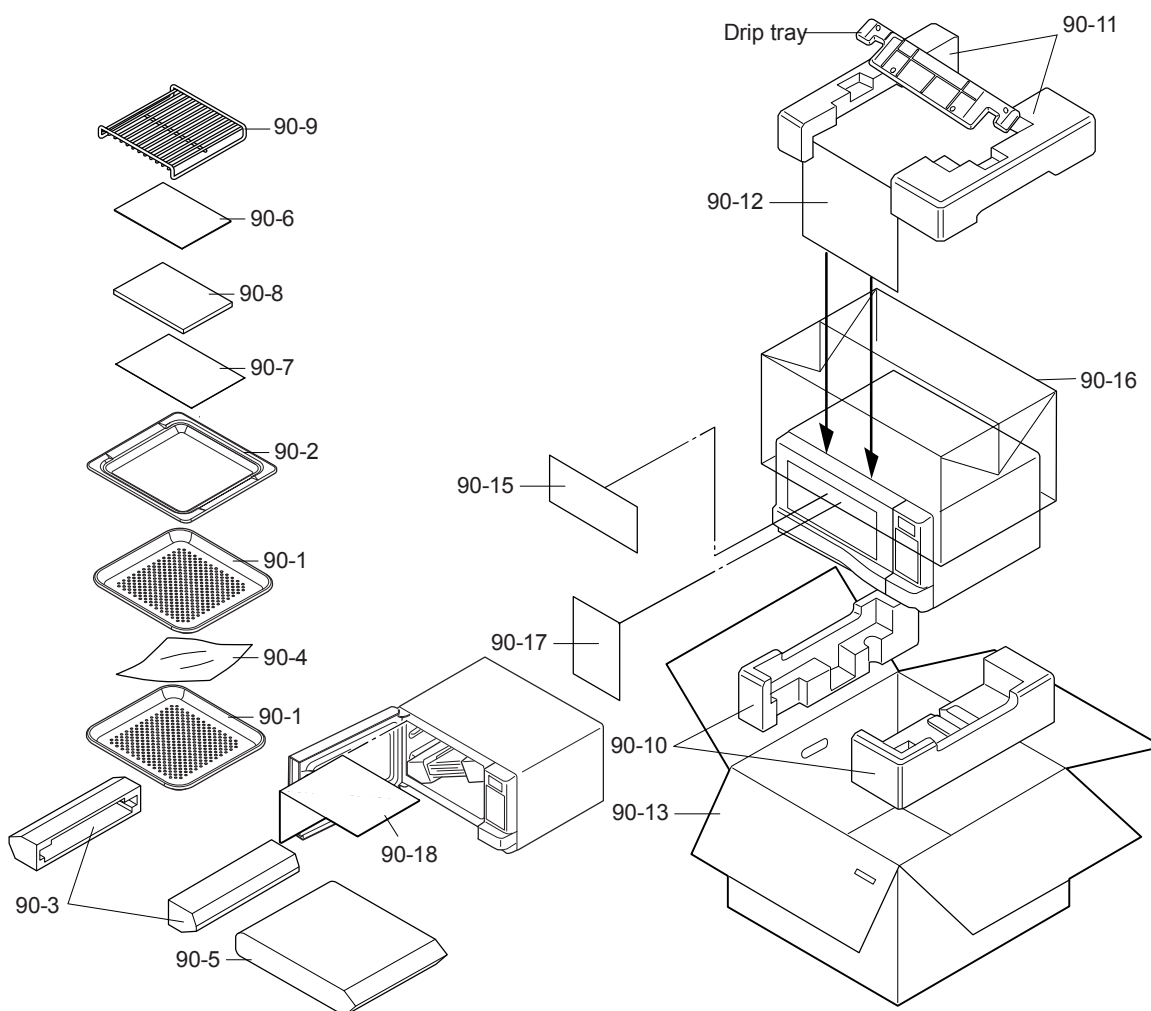
NO.	PARTS CODE	PRICE RANK	NEW MARK	PART RANK	DESCRIPTION
[1] OVEN PART					
MECHANICAL PARTS					
8-23	LANGTA535WRPZ	AG			Lamp Glass To Ag
8-24	LANGTA536WRPZ	AG			Chassis Support
8-25	LBND-A033WREZ	AC			Hose Band
8-26	LBND-A047WREZ	AF			Hose Band
8-27	LHLDKA008WRF1	AF			P-Clip
8-28	GCOVHA557WRPZ	AF			Back Plate Cover
8-29	LHLDWA064WREZ	AF			Wire Holder
8-30	MHNG-A648WRMZ	AH			Upper Hinge
8-31	MHNG-A651WRMZ	AG			Lower Hinge
8-32	MJNTPA018WRPZ	AF			Tube
8-33	PCUS-A276WREZ	AC			Tank Cover Cus
8-34	LBND-A029WREZ	AF			Pin Band
8-35	PTUBXA074WREZ	AK			Joint Tube
8-36	PCUS-A298WREZ	AF			Top Cushion
8-37	PDUC-B203WRPZ	AH			Fan Duct
8-38	PFPF-A316WREZ	AP			Thermal Insulation U
8-39	PGID-A109WRFZ	AF			Dew Tray Guide Left
8-40	PGID-A110WRFZ	AF			Dew Tray Guide Right
8-41	PGIDMA023WRFZ	AH			Back Dew Guide
8-42	PTUBXA082WREZ	AK			Steam Ex Tube
8-43	PGLSPA743WREZ	AG			Lamp Glass
8-44	PPAC-A133WREZ	AD			Engine Packing B
8-45	PPAC-A166WREZ	AH			Lamp Packing
8-46	PSLDHA311WRPZ	AL			Thermal Cover Right
8-47	PCUSGA820WRPZ	AG			Cushion
8-48	PCUSGA667WRPZ	AE			Cushion
8-49	TCAUSA017WRPZ	AL			High Temperature Caution
8-50	LANGTA550WRPZ	AG			Support angle
8-51					Oven thermo angle
8-52	PSHEPB504WREZ	AF			Insulator sheet
8-53	PPAC-A090WREZ	AF			Thermistor packing
SCREWS, WASHERS AND NUTS					
9-1	XCBS730P08000	AB			Screw; 3mm x 35mm
9-2	XBTWW40P06000	AA			Screw; 4mm x 6mm
9-4	XBPS740P35000	AD			Screw : 4mm x 35mm
9-3	XCTS740P08000	AC			Screw : 4mm x 8mm
9-5	XCPS730P14000	AB			Screw: 3mm x 14mm
9-6	XHPS740P08K00	AB			Screw: 4mm x 8mm
9-7	XHBS730P08000	AC			Screw : 3mm x 8mm
9-8	XOTS740P08000	AA			Screw : 4mm x 8mm [AX-1100V(S)]
9-8	XOTS840P08000	AB			Screw : 4mm x 8mm [AX-1100V(R)]
9-9	XOTS740P08000	AA			Screw : 4mm x 8mm
9-10	XOTS740P12RV0	AD			Screw : 4mm x 12mm
9-11	XOTS740P06000	AA			Screw : 4mm x 6mm
9-12	XNES740-32000	AC			nut
9-13	XNEWW40-32000	AB			Nut; 3mm x 3.2mm
9-14	LX-BZA144WREZ	AB			Screw; 3mm x 6mm
9-15	LX-BZA148WREZ	AC			Special Screw
9-16	LX-CZ0052WRE0	AA			Special Screw
9-17	XBTUW40P06000	AA			Screw; 4mm x 6mm
9-20	XHTS740P08RV0	AG			Screw : 4mm x 8mm
9-21	XEPS740P10000	AA			Screw : 4mm x 10mm
9-22	XETS740P08000	AA			Screw : 4mm x 8mm
9-23	XHPS740P08000	AB			Screw : 4mm x 8mm
9-24	XHPS740P06K00	AC			Screw : 4mm x 8mm
9-25	XEPS730P10X00	AA			Screw : 3mm x 10mm
9-26	XHPS740P12KS0	AD			Screw; 4mm x 12mm
9-28	XHBS730P06000	AC			Screw; 3mm x 6mm
9-29	LX-NZ0061WRE0	AA			Special nut
9-30	XOTWW40P10000	AA			Screw; 4mm x 10mm

[2] DOOR AND CONTROL PANEL PARTS



NO.	PARTS CODE	PRICE RANK	NEW MARK	PART RANK	DESCRIPTION
[2] DOOR AND CONTROL PANEL PARTS					
1-4	FW-VZC338WREZ	BC			Main Harness
CONTROL PANEL PARTS					
5-1	DPWB-B016DRKZ	BN			Control Unit
5-2	FPNLCC105WRKZ	AZ			Control Panel Assembly
5-2-1	PSHEPB566WREZ	AK			Key Top Film (Key Sheet)
5-2-2	QSW-KA104DRZZ	AL			Fpc (Membrane Switch)
5-3	XEPS730P10X00	AA			Screw
DOOR PARTS					
* 6-1	DDORFB468WRYZ	BF			Door Sub Assembly (Door Panel)
6-2	FHNDPA056WRKZ	BD			Handle Assembly (Door Open Handle) [AX-1100V(S)]
6-2	FHNDPA057WRKZ	BE			Handle Assembly (Door Open Handle) [AX-1100V(R)]
* 6-3	GWAKPB337WRFZ	AV			Door Frame
6-4	LANGTA525WRPZ	AG			Latch Lever
6-5	LANGTA527WRPZ	AG			Latch Ag (Latch Angle)
* 6-6	LSTPPA334WRFZ	AG			Latch Head L
* 6-7	LSTPPA335WRFZ	AG			Latch Head U
6-8	LSTPPA337WRFZ	AF			Glass Stopper
6-9	LX-BZA216WREZ	AD			Special Screw
6-10	MSPRTA271WREZ	AE			Spring
6-11	PGLSPA838WREZ	AQ			Out Door Glass (Door Glass)
6-12	PPAC-A163WREZ	AT			Door Packing
* 6-13	GCOVHA553WRFZ	AH			Door Cover
6-14	LSTPPA336WRFZ	AM			Door Sash
6-16	MLEVPA298WRFZ	AG			Handle Lever (Door Lever)
6-16	XETS840P12000	AD			Screw: 4mm X 12mm
6-17	XEPS740P08000	AB			Screw: 4mm X 8mm
6-18	XEPS740P12000	AA			Screw: 4mm X 12mm
6-19	TCAUSA016WRRZ	AH			Caution label

[3] ACCESSORY PARTS AND PACKING



NO.	PARTS CODE	PRICE RANK	NEW MARK	PART RANK	DESCRIPTION
[3] ACCESSORY PARTS AND PACKING					
90-1	PSRA-A076WRWZ	AZ			Steam Tray
90-2	PSRA-A079WREZ	BB			Glass Tray
90-3	CPADBA445WRKZ	AL			Tray Pad Assembly
90-4	SPADPA629WREZ	AG			Tray Protect
90-5	SSAKHA101WREZ	AF			Wrap Cover
90-6	TCAUHA425WRZZ	AH			Caution
90-7	TINS-A829WRRZ	AK			Touch Guide
90-8	TINSZA231WRRZ	AU			Instruction Book
90-9	UAMI-A172WRMZ	AR			Rack
90-10	FPADBA797WRKZ	AK			Bottom Pad Assembly
90-11	FPADBA798WRKZ	AK			Top Pad Assembly
90-12	SPADPA204WRE0	AC			Door Protector
90-13	SPAKCF180WRRZ	AY			P-Case [AX-1100V(S)]
90-13	SPAKCF186WRRZ	AY			P-Case [AX-1100V(R)]
90-15	TINSJA377WRRZ	AE			Information
90-16	SSAKHA114WREZ	AE			Wrap Cover
90-17	TINSMA037WRRZ	AF			Door Lever Caution (Information)
90-18	SPADFA703WREZ	AF			Heater support