

SHARP PARTS LIST

SUPER STEAM OVEN

HOW TO ORDER REPLACEMENT PARTS

To have your order filled promptly and correctly, please furnish the following information.

1. MODEL NUMBER
2. REF. NO.
3. PART NO.
4. DESCRIPTION

MODEL **AX-1600VN(R)**
AX-1600VN(W)

Parts marked "*" may cause undue microwave exposure.
 Parts marked "▲" are used in voltage more than 250V.

CONTENTS

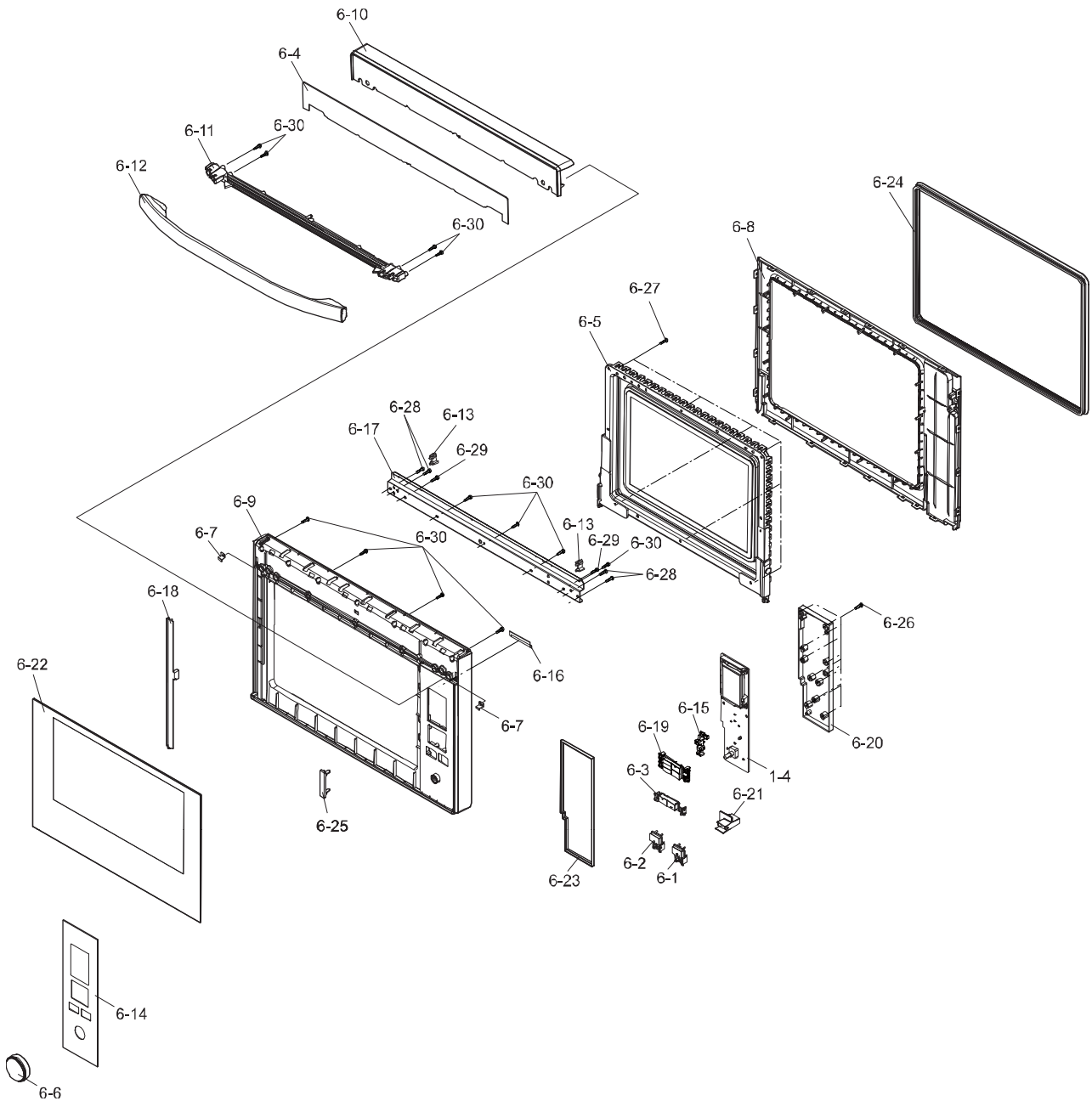
- | | |
|-------------------|------------------------------------|
| [1] OVEN PARTS | [4] ACCESSORY PARTS AND
PACKING |
| [2] CABINET PARTS | [5] OTHER PARTS |
| [3] DOOR PARTS | ■ INDEX |

NO.	PARTS CODE	PRICE RANK	NEW MARK	PART RANK	DESCRIPTION
[1] OVEN PART					
ELECTRIC PARTS					
1-1	CHET-A010WRKZ	BU			Engine unit assembly
1-2	FH-HZA100WREZ	AN			Thermistor (Engine)
1-3	RTHM-A149WRZZ	AK			Thermal cut out (Engine)
1-3	RTHM-A144WRZZ	AF			Thermal cut out (Engine) (Interchangeable)
1-5	RTHM-A132WRZZ	AM			Thermal cut out (Fan)
1-5	RTHM-A116WRE0	AK			Thermal cut-out (Fan) (Interchangeable)
1-5	RTHM-A148WRZZ	AH			Thermal cut-out (Fan) (Interchangeable)
1-15	FH-HZA099WREZ	AN			Thermistor (Oven)
1-16	RMOTDA280WRZZ	AQ			Turntable motor (Antenna motor)
1-17	QSW-MA085WRE0	AF			Door sensing switch
1-17	QSW-MA147WRZZ	AG			Door sensing switch (Interchangeable)
1-17	QSW-MA168WRZZ	AK			Door sensing switch (Interchangeable)
1-18	QSW-MA086WRE0	AF			Monitor switch
1-18	QSW-MA148WRZZ	AF			Monitor switch (Interchangeable)
1-18	QSW-MA169WRZZ	AF			Monitor switch (Interchangeable)
1-19	QSW-MA087WRE0	AF			Secondary interlock switch
1-19	QSW-MA146WRZZ	AM			Secondary interlock switch (Interchangeable)
1-19	QSW-MA170WRZZ	AK			Secondary interlock switch (Interchangeable)
1-21	FMOT-A039WRKZ	AZ			Tube pump assembly
1-21-1	RMOTDA280WRZZ	AQ			Turntable motor (Pump motor)
1-21-2	XHPS740P08K00	AB			Tap tight screw (4mm x 8mm)
1-21-3	XEPS740P08000	AB			Screw : 4mm x 8mm
1-22	RHET-A372WRZZ	BD			Convection heater
1-25	RLMPTA083WRZZ	AM			Oven lamp
1-25	RLMPTA088WRZZ	AN			Oven lamp (Interchangeable)
1-25	RLMPTA101WRZZ	AM			Oven lamp (Interchangeable)
1-26	RMOT-A034WRZZ	AU			Fan motor (Ventilation)
1-27	RV-MZA366WRZZ	BB			Magnetron
1-28	RMOTEA459WRZZ	BA			Convection motor
1-29	RMOT-A035WRZZ	AY			Fan motor
1-30	RTHM-A137WRZZ	AH			Thermal cut out (Convection)
1-30	RTHM-A123WRZZ	AK			Thermal cut-out (Convection) (Interchangeable)
1-30	RTHM-A147WRZZ	AH			Thermal cut-out (Convection) (Interchangeable)
1-31	FDTCTA240WRKZ	AU			AH sensor
MECHANICAL PARTS					
8-1	LANGKB372WRPZ	AE			Thermo mount plate
8-2	PCUS-A262WREZ	AD			Cushion
8-3	DOVN-A722WRKZ	BZ			Oven cavity assembly
8-13	HDECQA513WRFZ	AL			Panel R
8-15	LANGQA784WRPZ	AF			Convection thermo angle
8-16	PSHT-A021WRFZ	AD			Shutter
8-17	MSPRTA228WREZ	AB			Latch spring
8-18	FDUC-A490WRYZ	AN			Exhaust duct assembly
8-21	LANGKB126WRPZ	AK			TT motor mount angle
8-22	FSLDHA077WRYZ	AS			Heat cover R assembly
8-23	MLEVPA296WRFZ	AG			Switch lever
8-24	PPAC-A127WREZ	AB			Steam duct packing S
8-25	PPAC-A113WREZ	AC			Steam duct packing L
8-26	PDUC-B181WRFZ	AN			Steam duct ORG
8-27	PDUC-B132WRFZ	AG			Fan nozzle R
8-28	FTNK-A049WRKZ	AY			Tank assembly (Reservoir)
8-28-1	PCOVPA525WRFZ	AF			Tank lid (Reservoir lid)
8-32	MJNTPA016WRFZ	AG			WL joint
8-33	MSPRPA106WREZ	AF			Tank spring
8-34	PCOVPA575WRFZ	AQ			Tank cover
8-35	PCOVPA576WRFZ	AH			Tank cover L
8-36	PJNT-A018WRFZ	AD			WL joint upper (Water sensor)
8-37	PPAC-A131WREZ	AC			Pump packing
8-38	PTUBXA069WREZ	AE			Water tube
8-39	LANGKB449WRPZ	AF			Conv. Motor mounting angle
8-40	LANGKB360WRPZ	AL			Conv. cover angle A
8-41	FANGKA229WRYZ	AM			Conv. cover angle assembly
8-42	LANGKB364WRPZ	AM			Conv. cover angle C
8-43	LBNDKA180WRPZ	AE			Heater mounting
8-44	NFANMA064WRWZ	AF			Fan blade
8-45	NFANMA069WRPZ	AF			Cooling fan
8-46	PDUC-B086WRWZ	BB			Convection duct
8-47	PFPF-A301WREZ	AK			Heat insulation
8-48	PSLDHA281WRPZ	AN			Conv cover
8-49	PSPA-A147WREZ	AG			Spacer
8-50	LANGKB315WRPZ	AF			Side angle
8-51	LANGKB340WRPZ	AE			Rear angle
8-52	LANGKB344WRPZ	AH			Water proof angle
8-53	LANGKB353WRKZ	AF			Oven support angle
8-55	LANGQA792WRPZ	AG			Lamp mounting angle
8-64	PDUC-B131WRFZ	AG			Fan nozzle F
8-70	PCUS-A210WREZ	AC			Cushion
8-71	PCUS-A224WREZ	AC			Cushion
8-72	PCUS-A212WREZ	AC			Cushion

NO.	PARTS CODE	PRICE RANK	NEW MARK	PART RANK	DESCRIPTION
[1] OVEN PART					
MECHANICAL PARTS					
8-74	PCUS-A214WREZ	AE			Cushion
8-76	PCUS-A216WREZ	AD			Cushion
8-77	PCUS-A217WREZ	AC			Cushion
8-78	PCUS-A218WREZ	AE			Cushion
8-80	PGLSPA743WREZ	AG			Lamp glass
8-81	PPAC-A119WREZ	AD			Lamp packing
8-82	PPAC-A133WREZ	AD			Engine packing B
8-83	PSKR-A504WRPZ	AG			Bottom shield plate
8-84	PSLDHA302WRPZ	AQ			Heat cover bottom
8-85	PSLDHA276WRPZ	AP			Heat cover L
8-86	PSLDHA283WRPZ	AQ			Heat cover upper
8-87	PTUBXA070WREZ	AF			Drain tube
8-88	PZETPA003WRFZ	AK			Inverter sheald plate
8-94	PCUS-A234WREZ	AC			Cushion
8-100	LANGKB394WRPZ	AL			Steam duct ag
8-101	PCOV-A157WRFZ	AK			Steam duct cover ORG
8-102	PCUS-A222WREZ	AC			Cushion
8-104	PCUS-A237WREZ	AC			Cushion
8-107	PCUS-A261WREZ	AF			Cushion
8-108	PDUC-B136WRFZ	AM			Joint duct Front
8-109	PDUC-B137WRFZ	AM			Joint duct Rear
8-110	PPAC-A112WREZ	AD			Duct packing
8-113	PPAC-A136WREZ	AD			Joint duct packing L
8-114	PPAC-A137WREZ	AD			Joint duct packing S
8-121	LANGKB466WRFZ	AM			Latch base angle
8-122	MLEVPA290WRFZ	AG			Door switch lever
8-123	LANGKB426WRPZ	AR			Duct divide plate
8-131	LBND-A033WREZ	AC			Hose band
8-132	LBND-A047WREZ	AF			Hose band
8-134	PSLDHA296WRPZ	AF			Motor reflector
8-140	FSFTTA068WRFZ	AM			Shaft assembly
8-141	PPIPUA030WREZ	AF			TT spacer
8-146	PSPAFA002WREZ	AF			Spacer
8-148	PCUS-A256WREZ	AF			Cushion
8-149	LANGQA791WRPZ	AF			Lamp anglep g
8-150	PCUS-A266WREZ	AC			Cushion
8-153	PSHEPB361WREZ	AF			Insulator sheet
SCREW, WASHER AND NUT					
9-2	XOTS740P08000	AA			Screw; 4mm x 8mm
9-4	XEBS730P10000	AA			Screw; 3mm x 10mm
9-6	XHPS740P08K00	AB			Screw;;4mm x 8mm
9-7	XETS740P08000	AA			Screw; 4mm x 8mm
9-9	XCPS740P20000	AK			Screw : 4mm x 20mm
9-11	XETS740P10000	AA			Screw; 4mm x 10mm
9-12	XNEUW40-32000	AA			Nut
9-13	LX-NZA002WRE0	AC			Nut
9-14	XOTWW40P06000	AC			Screw; 4mm x 6mm
9-15	XOTWW40P08000	AB			Screw; 4mm x 8mm
9-16	XCBS730P08000	AB			Screw; 3mm x 8mm
9-17	XBPS740P06K00	AC			Screw : 4mm x 6mm
9-18	XREUW40-06000	AA			E ring
9-19	XWHUW48-15120	AB			Washer
9-20	XWHUW40-08000	AA			Washer
9-21	XWSUW40-10000	AA			Spring washer
9-23	XEPS740P40000	AB			Screw; 4mm x 40mm
9-24	XEPS740P10000	AA			Screw ;4mm x 10mm
9-25	XEPS740P14000	AB			Screw; 4mm x 14mm
9-27	LX-NZA057WREZ	AG			Special nut
9-29	XWHS700-05180	AC			Washer
9-32	LX-CZA088WREZ	AB			Special screw (Knock type)
9-33	XNES740-32000	AC			Nut
9-39	XUBS740P36000	AC			Screw; 4mm x 36mm
9-40	LX-BZA171WREZ	AA			Special screw
9-41	LX-CZA084WREZ	AB			Special screw
9-43	LX-BZA212WREZ	AE			Special screw
9-45	XFPWW30P06K00	AC			Special screw
9-46	LX-CZ0052WRE0	AA			Special screw
9-47	LX-WZ7005XCZZ	AD			Washer
9-42	XFPWW30P06000	AD			Screw : 3mm x 6mm
9-48	XCBS730P06000	AA			Screw : 3mm x 6mm
9-49	XCBWW30P06000	AA			Screw : 3mm x 6mm
9-50	XUPS730P06000	AF			Screw : 3mm x 6mm

NO.	PARTS CODE	PRICE RANK	NEW MARK	PART RANK	DESCRIPTION
[2] CABINET PARTS					
ELECTRIC PARTS					
1-7	DPWBFC593WRUZ	BS			Inverter unit assembly
1-8	QACC-A172WRZZ	AS			Power supply cord
1-9	DPWB-A786DRKZ	BN			Control unit
1-11	FPWBFA369WRKZ	AX			Noise filter unit
1-14	RTRNPA170DRZZ	AY			Transformer
1-10	QFS-CA026WRZZ	AH			Fuse F10A
1-20	RMOTEA458WRZZ	AW			Fan motor
1-6	QSW-MA086WRE0	AF			Dew tray switch
1-26	RMOT-A034WRZZ	AU			Fan motor (Cooling)
CABINET PARTS					
7-1	FCABDA055WRWZ	AX			Back plate assembly
7-2	FDAI-A330WRYZ	AZ			Bottom plate assembly
7-3	GCABUB173WRPZ	BG			Outer case cabinet [AX-1600VN(R)]
7-3	GCABUB276WRPZ	BG			Outer case cabinet [AX-1600VN(W)]
MECHANICAL PARTS					
8-4	GCOVPA036WRFZ	AP			Drip tray cover [AX-1600VN(R)]
8-4	GCOVPA037WRFZ	AN			Drip tray cover [AX-1600VN(W)]
8-5	GCUPPA039WRFZ	AT			Drip tray [AX-1600VN(R)]
8-5	GCUPPA040WRFZ	AT			Drip tray [AX-1600VN(W)]
8-6	GLEGPA108WRFZ	AF			Back shade guide
8-7	LHLDPA016WRFZ	AK			PWB holder
8-8	PCUS-A221WREZ	AC			Cushion
8-9	PGID-A119WRFZ	AN			Dew tray guide L [AX-1600VN(R)]
8-9	PGID-A121WRFZ	AN			Dew tray guide L [AX-1600VN(W)]
8-10	PGID-A120WRFZ	AN			Dew tray guide R [AX-1600VN(R)]
8-10	PGID-A122WRFZ	AN			Dew tray guide R [AX-1600VN(W)]
8-11	PPAC-A069WREZ	AF			Stopper
8-12	PSKR-A509WRFZ	AK			Dew shield [AX-1600VN(R)]
8-12	PSKR-A508WRFZ	AG			Dew shield [AX-1600VN(W)]
8-19	FHNG-A392WRYZ	AS			Left hinge assembly
8-20	FHNG-A391WRYZ	AS			Right hinge assembly
8-29	NFANJA065WRFZ	AK			Fan blade
8-30	PCUS-A199WREZ	AE			Cushion
8-31	PDUC-B244WRFZ	AQ			Fan duct
8-54	LANGKB358WRPZ	AF			Motor angle
8-56	LBNDKA166WREZ	AD			Wire holder
8-58	MCAMPA195WRMZ	AL			L door cam
8-59	MCAMPA196WRMZ	AF			R door cam
8-60	MSPRTA277WREZ	AF			Door spring-R
8-61	MSPRTA267WREZ	AF			Door spring-L
8-62	PCOV-A109WRPZ	AH			Filter cover
8-63	PCOV-A155WRFZ	AT			Exhaust cover
8-65	PCUS-A204WREZ	AC			Cushion
8-66	PCUS-A205WREZ	AC			Cushion
8-67	PCUS-A206WREZ	AC			Cushion
8-68	MLEVPA285WRFZ	AB			Lever
8-69	MSPRCA177WREZ	AC			Dew tray spring
8-72	PCUS-A212WREZ	AC			Cushion
8-77	PCUS-A217WREZ	AC			Cushion
8-79	PCUS-A223WREZ	AB			Dew tray guide cushion
8-89	PCUS-A265WREZ	AD			Cushion
8-94	PCUS-A234WREZ	AC			Cushion
8-95	PCUS-A293WREZ	AH			Cushion
8-98	GCAP-A020WRFZ	AN			Steam cap [AX-1600VN(R)]
8-98	GCAP-A026WRFZ	AL			Steam cap [AX-1600VN(W)]
8-112	PPAC-A143WREZ	AP			Steam duct packing
8-115	PCUS-A240WREZ	AC			Cushion
8-120	LANGQA835WRFZ	AM			Dew tray SW angle
8-127	PSPAJA011WRFZ	AF			Side spacer
8-135	TCAUAA332WRRZ	AF			Caution label
8-136	PCUS-A290WREZ	AF			Cushion
8-138	TCAUHA214WRR0	AC			K caution label
SCREW, WASHER AND NUT					
9-1	XOTS740P10000	AB			Screw; 4mm x 10mm
9-2	XOTS740P08000	AA			Screw; 4mm x 8mm
9-3	LX-BZA138WREZ	AB			Special screw
9-4	XEBS730P10000	AA			Screw; 3mm x 10mm
9-5	XHTS740P08000	AC			Screw; 4mm x 8mm
9-7	XETS740P08000	AA			Screw; 4mm x 8mm
9-8	XEPS740P25K00	AC			Screw; 4mm x 25mm
9-24	XEPS740P10000	AA			Screw ;4mm x 10mm
9-27	LX-NZA057WREZ	AG			Special nut
9-32	LX-CZA088WREZ	AB			Special screw (Knock type)
9-34	LX-BZA148WREZ	AC			Special screw
9-36	XEPS740P08000	AB			Screw; 4mm x 8mm
9-37	XOBS740P30000	AC			Screw; 4mm x 30mm
9-44	XHPS740P10XS0	AC			Screw; 4mm x 10mm
9-46	LX-CZ0052WRE0	AA			Special screw

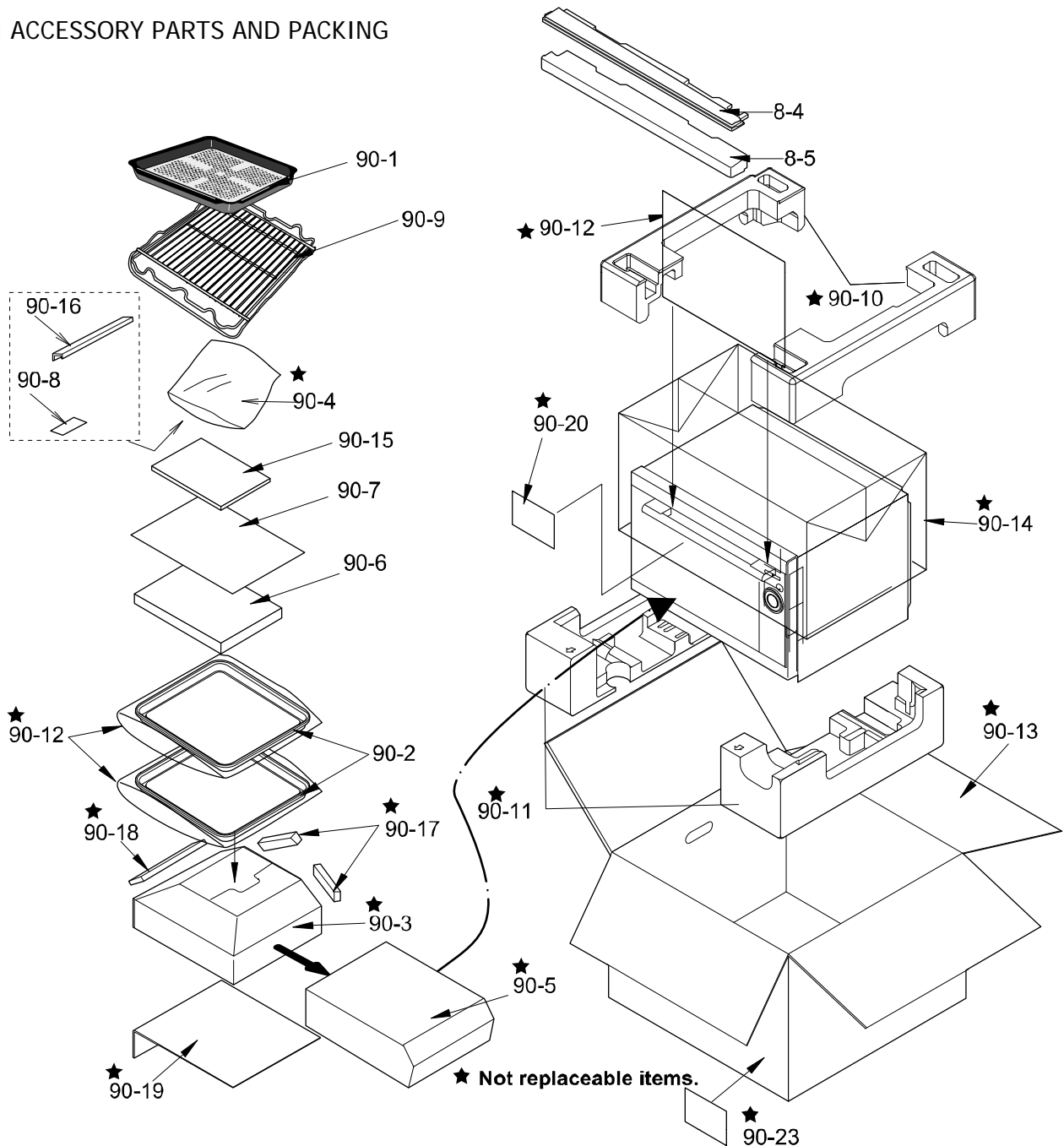
[3] DOOR PARTS



NO.	PARTS CODE	PRICE RANK	NEW MARK	PART RANK	DESCRIPTION
[3] DOOR PARTS					
1-4	DPWB-B204DRKZ	BR			Display unit
6-1	JBTN-B732WRRZ	AK			Start button [AX-1600VN(R)]
6-1	JBTN-B736WRRZ	AK			Start button [AX-1600VN(W)]
6-2	JBTN-B733WRRZ	AK			Stop/clear button [AX-1600VN(R)]
6-2	JBTN-B737WRRZ	AK			Stop/clear button [AX-1600VN(W)]
6-3	JBTN-B731WRRZ	AL			Enter button [AX-1600VN(R)]
6-3	JBTN-B735WRRZ	AL			Enter button [AX-1600VN(W)]
6-4	HDECAA745WRPZ	AT			Door dec [AX-1600VN(R)]
6-4	HDECAA754WRPZ	AT			Door dec [AX-1600VN(W)]
* 6-5	FDORFA502WRKZ	BF			Door panel assy
6-6	FKNBKA252WRKZ	AY			Encorder button A [AX-1600VN(R)]
6-6	FKNBKA255WRKZ	AY			Encorder button A [AX-1600VN(W)]
6-7	HDECAA772WRKZ	AL			Frame dec assy[AX-1600VN(R)]
6-7	HDECAA773WRKZ	AL			Frame dec assy[AX-1600VN(W)]
* 6-8	GCOVHA561WRFZ	AV			Door cover
* 6-9	GWAKPB458WRTZ	BC			Door frame [AX-1600VN(R)]
* 6-9	GWAKPB459WRTZ	BA			Door frame [AX-1600VN(W)]
6-10	HDECAA746WRTZ	BB			Door dec holder [AX-1600VN(R)]
6-10	HDECAA755WRTZ	BA			Door dec holder [AX-1600VN(W)]
6-11	JHNDPA438WRFZ	AN			Glass stopper [AX-1600VN(R)]
6-11	JHNDPA439WRFZ	AN			Glass stopper [AX-1600VN(W)]
6-12	JHNDPA431WRMZ	BC			Handle

NO.	PARTS CODE	PRICE RANK	NEW MARK	PART RANK	DESCRIPTION
[3] DOOR PARTS					
6-13	PSPAU001WRFZ	AE			Spacer
6-14	HDECAA774WRPZ	AQ			Panel dec [AX-1600VN(R)]
6-14	HDECAA775WRPZ	AR			Panel dec [AX-1600VN(W)]
6-15	JBTN-B519WRFZ	AG			Button support
6-16	PSHT-A024WREZ	AF			LCD Window sheet
6-17	LANGKB525WRWZ	AL			Door support ag
6-18	FSTPPA011WRKZ	AN			Glass dec L assy [AX-1600VN(R)]
6-18	FSTPPA012WRKZ	AN			Glass dec L assy [AX-1600VN(W)]
6-19	JBTN-B740WRRZ	AL			Select button [AX-1600VN(R)]
6-19	JBTN-B742WRRZ	AL			Select button [AX-1600VN(W)]
6-20	PCOVPA620WRFZ	AK			SW PWB Cover
6-21	PCOVPA616WRFZ	AD			Wire protect cov
6-22	PGLSPA899WREZ	AX			Front door glass [AX-1600VN(R)]
6-22	PGLSPA901WREZ	AX			Front door glass [AX-1600VN(W)]
6-23	PPAC-A172WREZ	AG			PWB Packing
6-24	PPAC-A160WREZ	AT			Door packing
6-25	PSPAU005WRKZ	AE			Glass Dec R K
6-26	XEBS730P12000	AB			Screw
6-27	XEPS740P12000	AA			Tap tight screw
6-28	XEPS740P25KSO	AE			Tap tight screw
6-29	XETS740P20KSO	AC			Tap tight screw
6-30	XETS740P12000	AC			Tap tight screw

[4] ACCESSORY PARTS AND PACKING



NO.	PARTS CODE	PRICE RANK	NEW MARK	PART RANK	DESCRIPTION
[4] ACCESSORY PARTS AND PACKING					
8-4	GCOVPA036WRFZ	AP			Drip tray cover [AX-1600VN(R)]
8-4	GCOVPA037WRFZ	AN			Drip tray cover [AX-1600VN(W)]
8-5	GCUPPA039WRFZ	AT			Drip tray [AX-1600VN(R)]
8-5	GCUPPA040WRFZ	AT			Drip tray [AX-1600VN(W)]
90-1	PSRA-A046WRTZ	AZ			Steam tray (Steam basket)
90-2	PSRA-A074WRHZ	BA			Base tray 30l
90-3	SPADFA659WREZ	AK			Accessory case
90-4	SSAKA0034WRE0	AD			Wrap cover
90-5	SSAKHA116WREZ	AG			Wrap cover
90-6	TCADCB121WRRZ	AY			Cook book
90-7	TCADRA054WRRZ	AF			Touch guide
90-8	PSHEKA034WREZ	AH			Test strip
90-9	UAMI-A165WRTZ	BQ			Rack
90-10	FPADBA855WRKZ	AL			Top pad assembly
90-11	FPADBA856WRKZ	AP			Bottom pad assembly
90-12	SSAKHA087WREZ	AE			Wrap cover
90-13	SPAKCF352WREZ	AY			Packing case [AX-1600VN(R)]
90-13	SPAKCF354WREZ	AY			Packing case [AX-1600VN(W)]
90-14	SSAKHA032WRE0	AK			Wrap cover
90-15	TINS-A850WRRZ	BD			Operation manual
90-16	PGIDMA021WRFZ	AY			Guide
90-17	FPADBA743WRKZ	AD			Pad A assembly
90-18	SPADBB717WREZ	AD			Pad B
90-19	SPADBB718WREZ	AF			Pad C
90-20	TINSJA362WRRZ	AD			Information
90-21	TCAUAA427WRRZ	AD			Caution label
90-22	TCAUAA406WRRZ	AD			CR mark label
90-23	TCAUAA416WRRZ	AE			Addition label [AX-1600VN(R)]
90-23	TCAUAA417WRRZ	AE			Addition label [AX-1600VN(W)]
OTHER PARTS					
1-12	FW-VZC222WREZ	AZ			Control harness
1-13	FW-VZC212WREZ	BA			Main harness
1-23	FW-VZC223WREZ	AL			Antenna motor harness
1-24	QW-HZA132WRZZ	AG			High voltage harness
8-57	LHLDWA013WRE0	AC			Purse lock LL