

DEHUMIDIFIER

MODEL

DW-D20A-W

DESTINATION

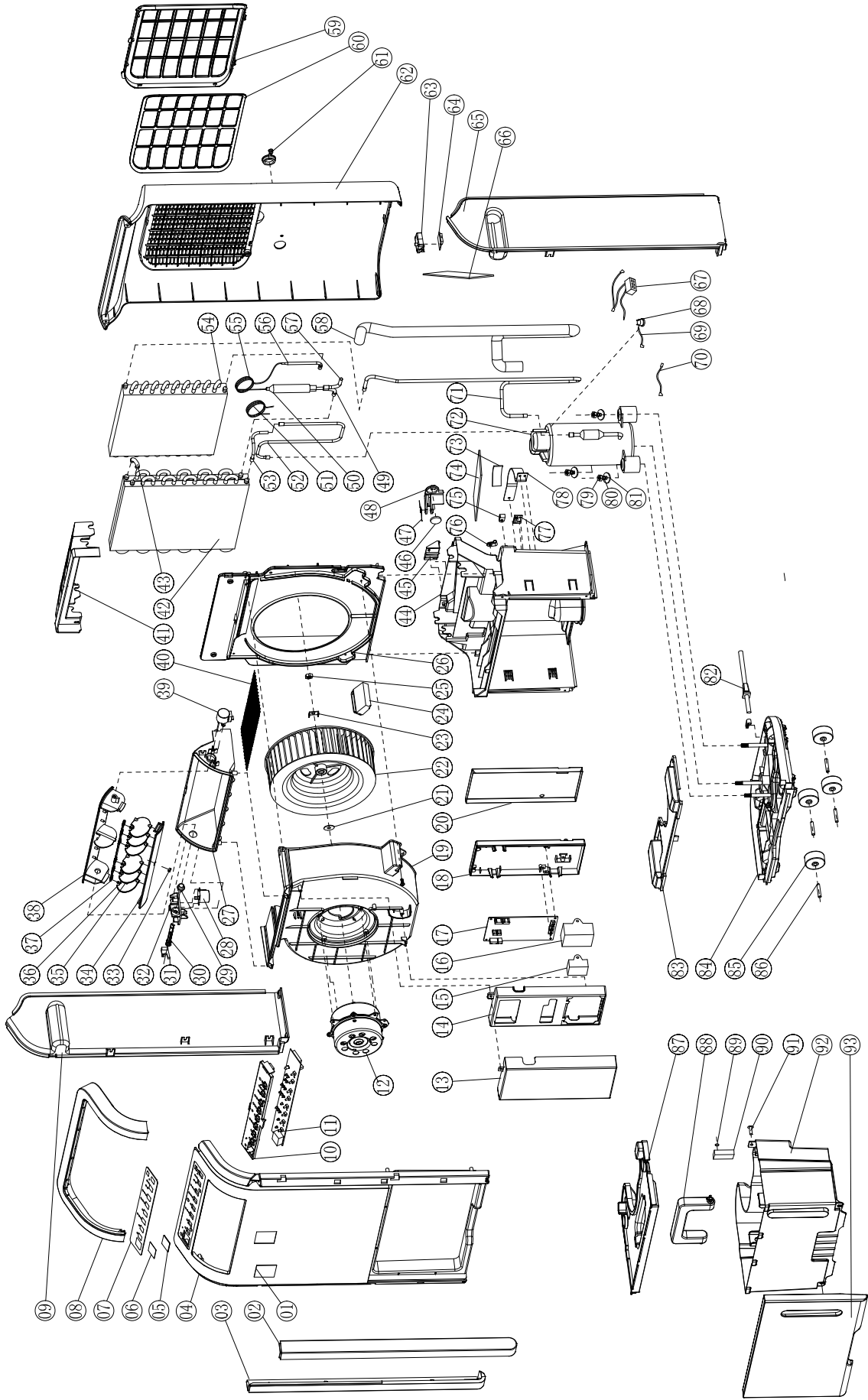
SVN

CONTENTS

[1] DW-D20A-W

Parts marked with "⚠" are important for maintaining the safety of the set. Be sure to replace these parts with specified ones for maintaining the safety and performance of the set.

[1] DW-D20A-W



NO.	PARTS CODE	PRICE RANK	NEW MARK	PART DELIVERY	DESCRIPTION
[1] DW-D20A-W					
1	9LRDWD20AW001	AK	N	*	PCI Badge
2	9LRDWD20AW002	AS	N	*	Ornamental Strip (Right)
3	9LRDWD20AW003	AS	N	*	Ornamental Strip (Left)
4	9LRDWD20AW004	AZ	N	*	Front Casing
5	9LRDWD20AW005	AD	N	*	Transparency
6	NA	--	--	--	Shelter
7	9LRDWD20AW007	AM	N	*	Control Panel
8	9LRDWD20AW008	AV	N	*	Ornamental Strip (Top)
9	9LRDWD20AW009	AS	N	*	Flank(Left)
10	9LRDWD20AW010	AH	N	*	Control Panel
11	9LRDWD20AW011	BA	N	*	Control PCB
12	9LRDWD20AW012	BD	N	*	Blower Motor
13	9LRDWD20AW013	AG	N	*	PCB Box Top
14	9LRDWD20AW014	AK	N	*	PCB Box Lid
15	9LRDWD20AW015	AH	N	*	Moto Capacitance
16	9LRDWD20AW016	AU	N	*	Compressor Capacitance
17	9LRDWD20AW017	BF	N	*	Main PC Board
18	9LRDWD20AW018	AK	N	*	PCB Seat
19	9LRDWD20AW019	AR	N	*	Wind Channels
20	9LRDWD20AW020	AH	N	*	Pc Box Below
21	9LRDWD20AW021	AC	N	*	Flat Washer 8x24x1
22	9LRDWD20AW022	AN	N	*	Blower
23	9LRDWD20AW023	AC	N	*	Fastening Sheet For Blower
24	9LRDWD20AW024	BC	N	*	Plasma
25	9LRDWD20AW025	AC	N	*	Nut M8
26	9LRDWD20AW026	AS	N	*	Holder
27	9LRDWD20AW027	AN	N	*	Air Outlets
28	9LRDWD20AW028	AN	N	*	Stepper Motor Left
29	9LRDWD20AW029	AD	N	*	Axis Sheath
30	9LRDWD20AW030	AD	N	*	Kinematic Link
31	9LRDWD20AW031	AC	N	*	Transmission Patch
32	9LRDWD20AW032	AD	N	*	Micro Etetromotor
33	9LRDWD20AW033	AE	N	*	Plug
34	9LRDWD20AW034	AG	N	*	Air Plate 2
35	9LRDWD20AW035	AE	N	*	Abort Laminae 1

NO.	PARTS CODE	PRICE RANK	NEW MARK	PART DELIVERY	
[1] DW-D20A-W					
36	9LRDWD20AW036	AC	N	*	Abort Laminae 2
37	9LRDWD20AW037	AD	N	*	Connecting-Rod
38	9LRDWD20AW038	AK	N	*	Air Plate 1
39	9LRDWD20AW039	AN	N	*	Stepper Motor
40	9LRDWD20AW040	AG	N	*	Protecting Wire Net
41	9LRDWD20AW041	AK	N	*	Two Crimp Cover
42	9LRDWD20AW042	BD	N	*	Radiator
43	9LRDWD20AW043	AG	N	*	Racliator U Elbow
44	9LRDWD20AW044	AV	N	*	Middle Clapboard
45	9LRDWD20AW045	AE	N	*	Fixity
46	9LRDWD20AW046	AC	N	*	Airproof Mat
47	9LRDWD20AW047	AC	N	*	Wrest Reed
48	9LRDWD20AW048	AE	N	*	Baffle
49	9LRDWD20AW049	AG	N	*	Airer Elbow
50	9LRDWD20AW050	AM	N	*	Airer
51	9LRDWD20AW051	AC	N	*	Capillary Sleeve
52	9LRDWD20AW052	AK	N	*	High -Pressure Tube
53	9LRDWD20AW053	AF	N	*	Radiator Duct
54	9LRDWD20AW054	BC	N	*	Evaporator
55	9LRDWD20AW055	AH	N	*	Capillary
56	9LRDWD20AW056	AF	N	*	Capillary Elbow
57	9LRDWD20AW057	AF	N	*	Fill Tube
58	9LRDWD20AW058	AG	N	*	PE Foam Pipe Sleeve
59	9LRDWD20AW059	AM	N	*	Intake
60	9LRDWD20AW060	AQ	N	*	Filter
61	9LRDWD20AW061	AD	N	*	Outfall Stopper
62	9LRDWD20AW062	AZ	N	*	Rear Casing
63	9LRDWD20AW063	AD	N	*	Sense Organ Bracket
64	9LRDWD12AW033	AQ	N	*	Temperature & Humidity Sensor
65	9LRDWD20AW065	AS	N	*	Flank(Right)
66	9LRDWD20AW066	AC	N	*	EVA Sponge3

NO.	PARTS CODE	PRICE RANK	NEW MARK	PART DELIVERY	
[1] DW-D20A-W					
67+69 +70	9LRDWD20AW067	AR		*	Wiring For Compressor Black Red+White+Blue)
68	9LRDWD20AW068	AV		*	Overload Switch
71	9LRDWD20AW071	AN		*	Low-Pressure Tube
72	9LRDWD20AW072	BV		*	Compressor
73	9LRDWD20AW073	AC		*	Eva Sponge1
74	9LRDWD20AW074	AC		*	Eva Sponge2
75	9LRDWD20AW075	AB		*	Wire Clamp 1/16
76	9LRDWD20AW076	AC		*	Wire Clamp 1/4s
77	9LRDWD12AW041	AN		*	Approach Switch PCB Board
78	9LRDWD20AW078	AE		*	Compressor Strengthen Bar
79	9LRDWD20AW079	AC		*	Nut M6
80	9LRDWD20AW080	AC		*	Spring Washer 6
81	9LRDWD20AW081	AD		*	Flat Washer 6x19.5x2
82	9LRDWD20AW082	AS		*	Power Cord
83	9LRDWD20AW083	AK		*	Motherboard Cover Board
84	9LRDWD20AW084	AR		*	Motherboard
85	9LRDWD20AW085	AL		*	Wheel
86	9LRDWD20AW086	AE		*	Wheel Axes
87	9LRDWD20AW087	AL		*	Lid Of Water Tank
88	9LRDWD20AW088	AG		*	Handle Of Water Tank
89+90	9LRDWD12AW043	AE		*	Pontoon Subassembly
91	9LRDWD12AW044	AC		*	Pontoon
92	9LRDWD20AW092	AX		*	Water Tank
93	9LRDWD20AW093	AR		*	Water Tank Faceplate
94	9LRDWD20AW094	AC		*	Copper Screw Pi2.8x6
95	9LRDWD20AW095	AK		*	Packing Add(Top)
96	9LRDWD20AW096	AK		*	Packing Add(Bottom)
97	9LRDWD20AW097	AP		*	Packing Case
98	9LRDWD20AW098	AE		*	Plastic Bag
99	9LRDWD20AW099	AD		*	Protection Sheet
100	9LRDWD20AW100	AH		*	Operation Manual
101	9LRDWD20AW101	AC		*	PE Bag For IM
102	9LRDWD20AW102	AD		*	Name Plate