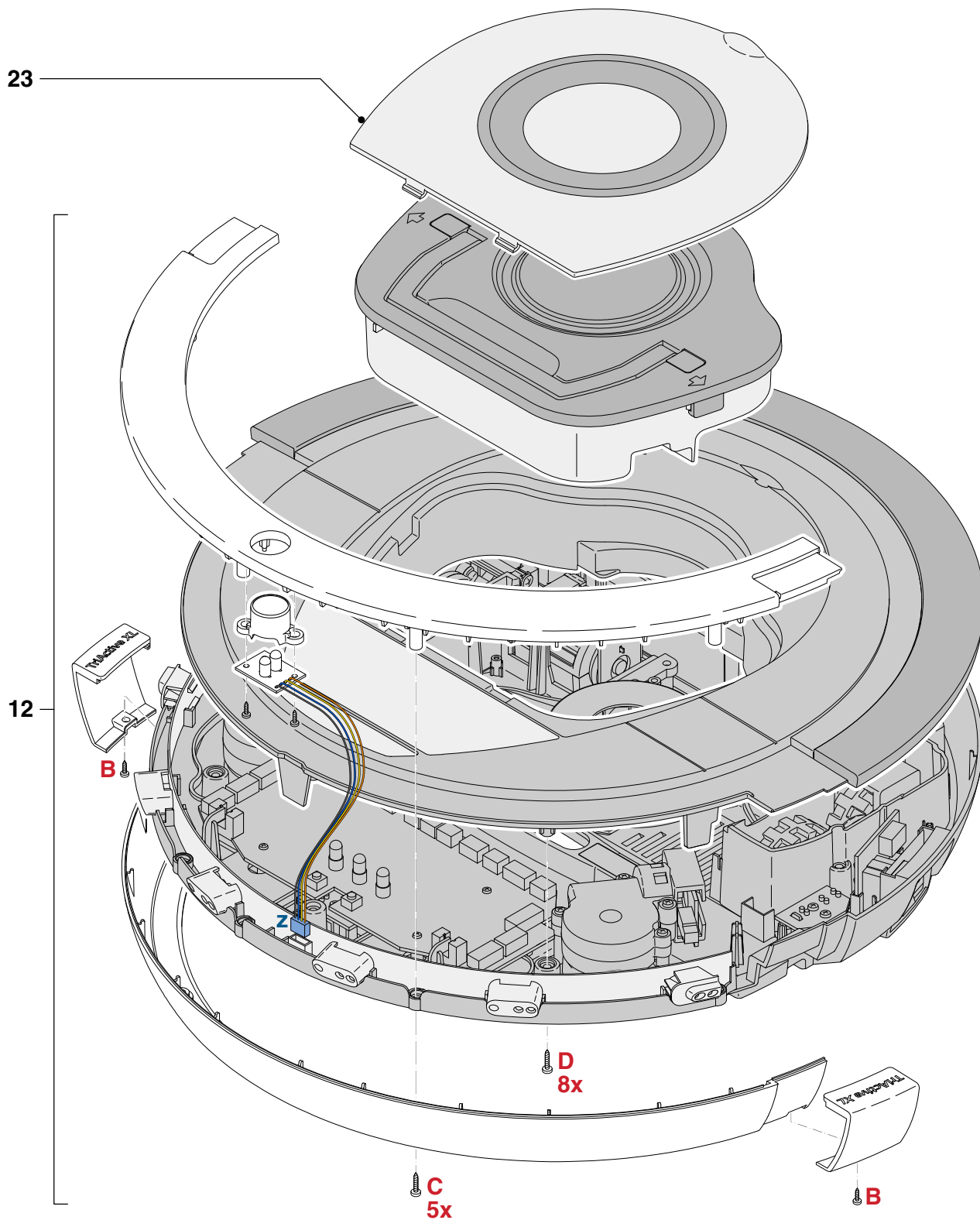


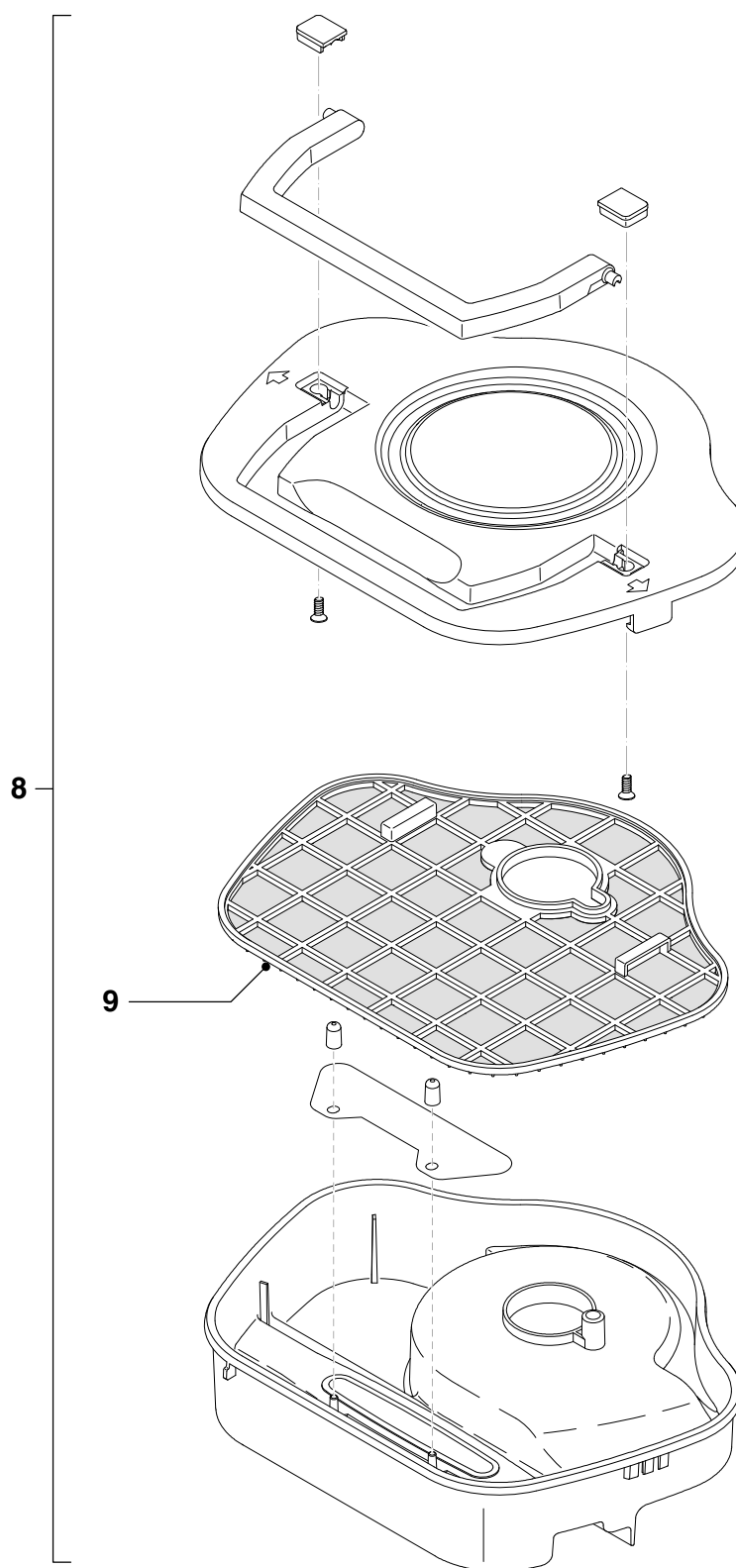
Pos	Description	Remark	Service code
3	Switching adaptor 24 V 1000 mA	Euro plug	4322 006 09961
	Switching adaptor 24 V 1000 mA	Taiwan plug	4322 006 10341
4	Docking station A		4322 006 23111
15	Remote control A		4322 006 21321



Pos	Description	Remark	Service code
12	Front bumper assy B		4322 005 37371
23	Top cover	Bright Copper	9965 100 77077

Exploded view

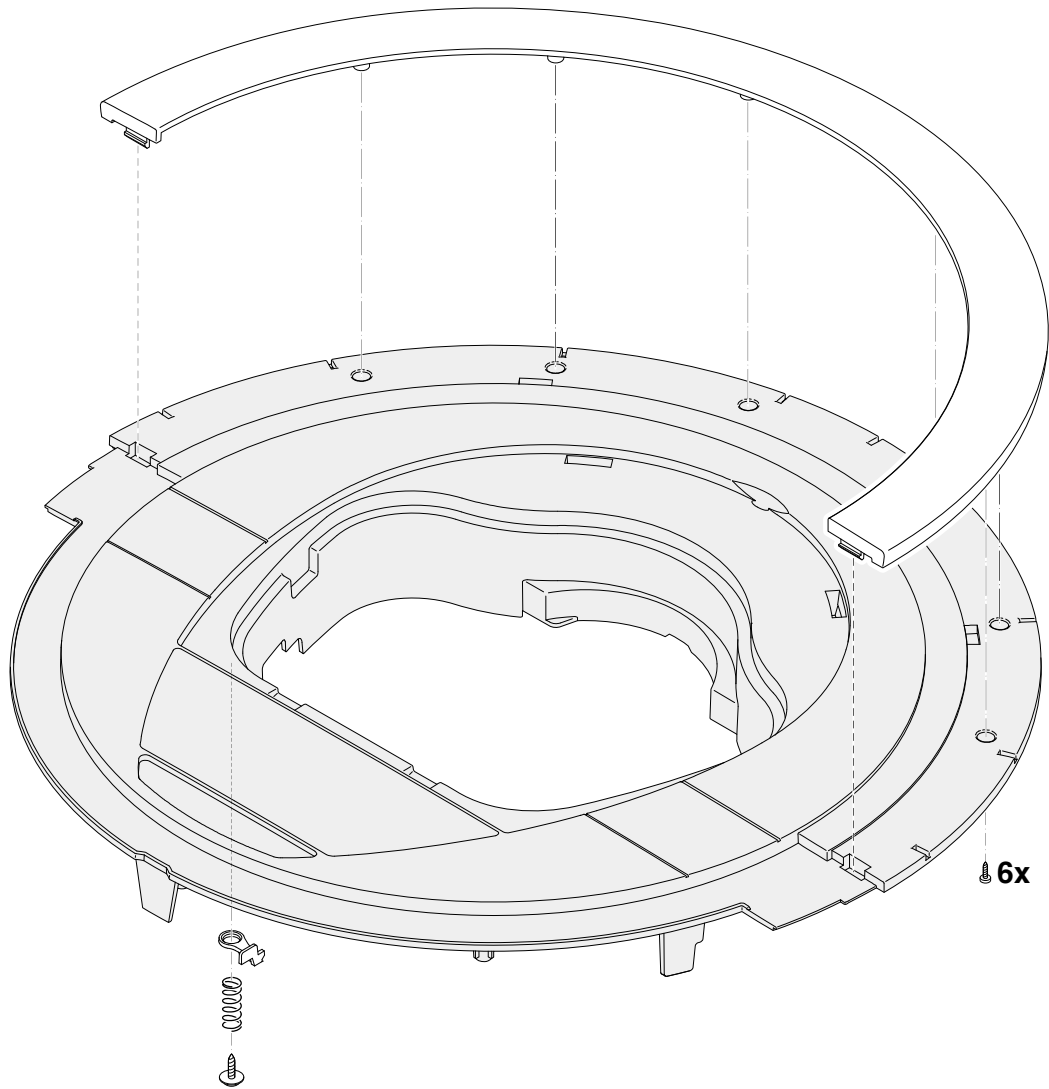
FC8776/01 / FC8776/31

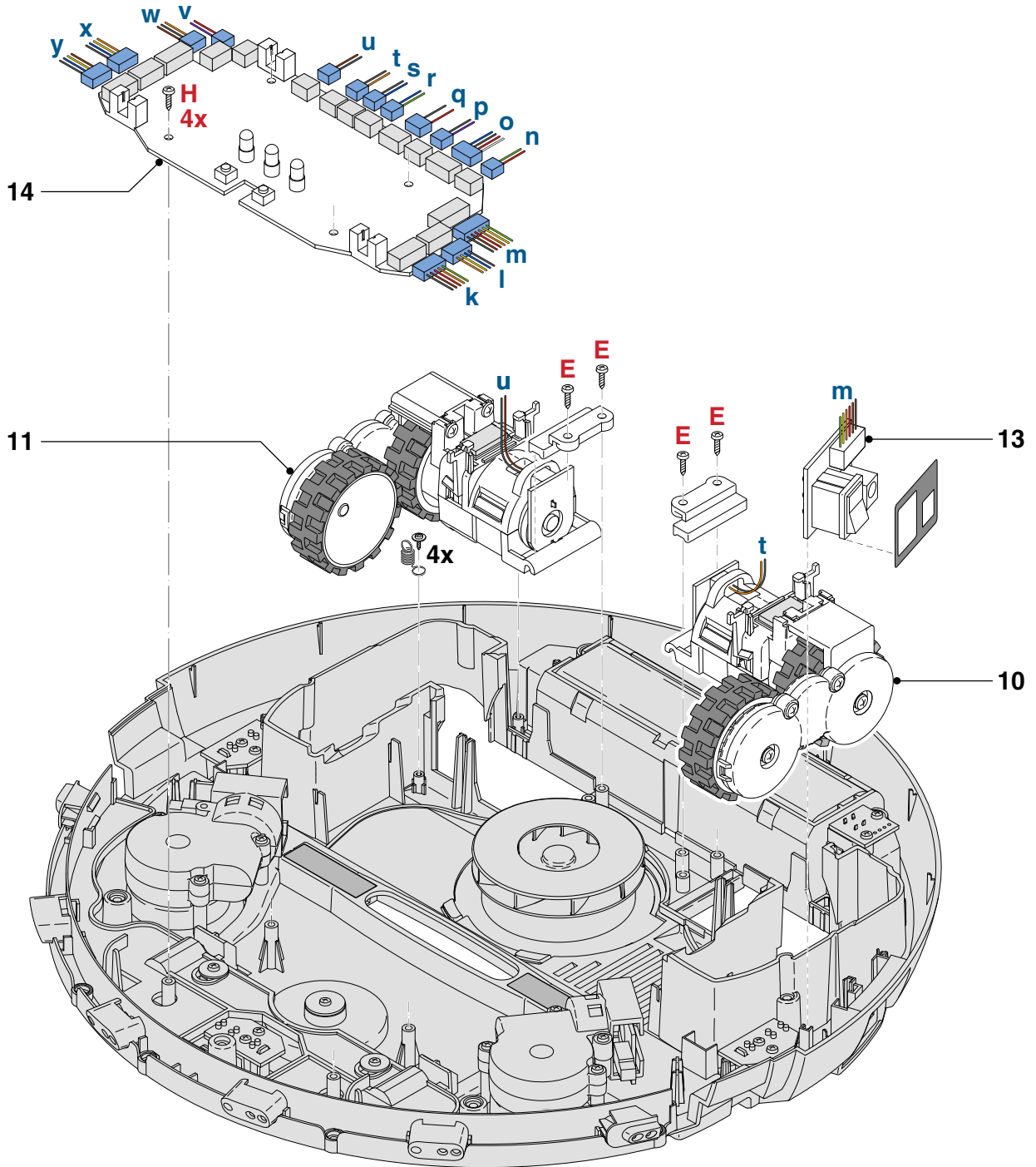


Pos	Description	Service code
8	Dustbin assy	4322 005 37321
9	Filter Libra Extra layer	4322 004 94401
	Filter Libra	4322 004 94381

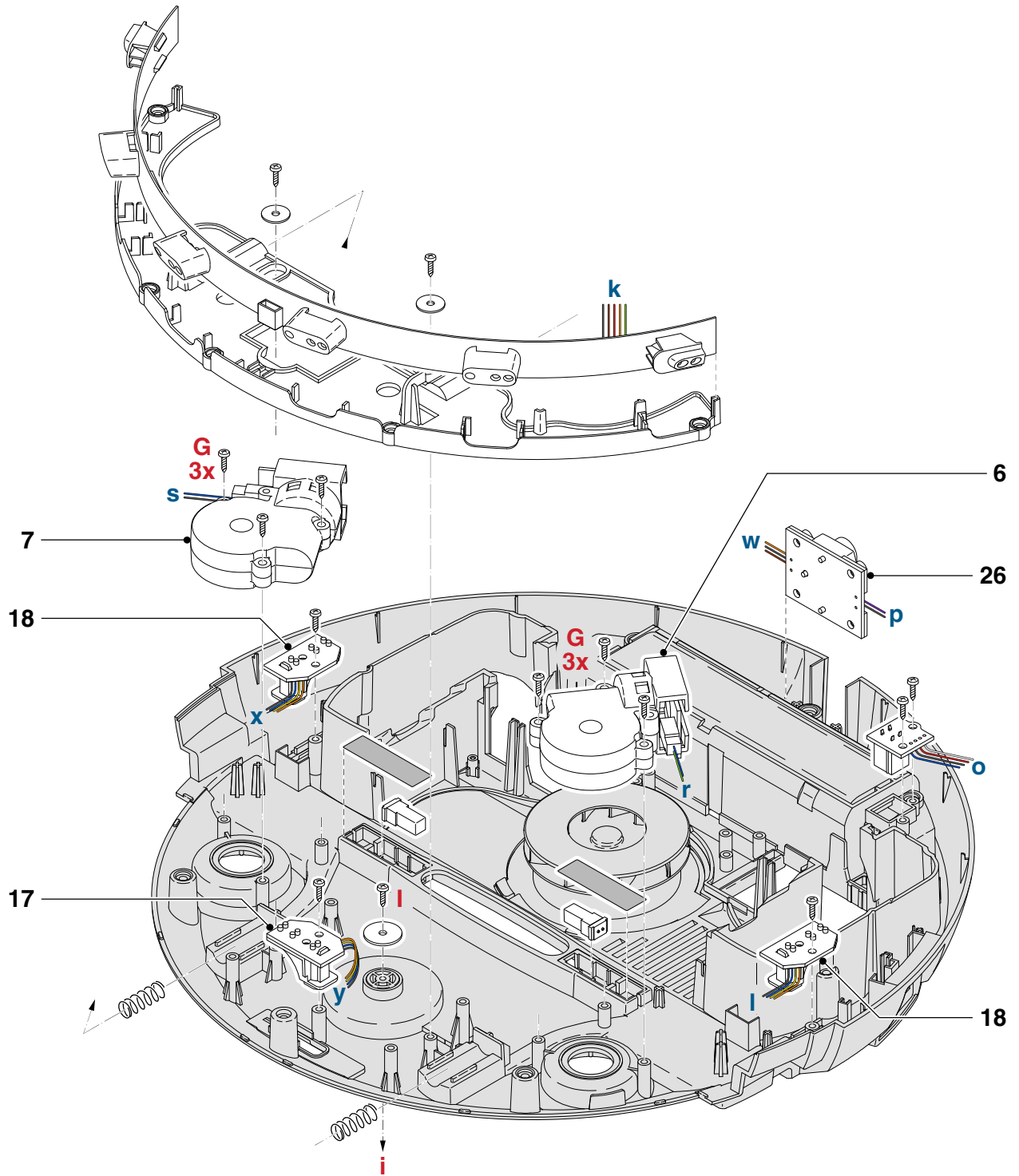
Exploded view

FC8776/01 / FC8776/31





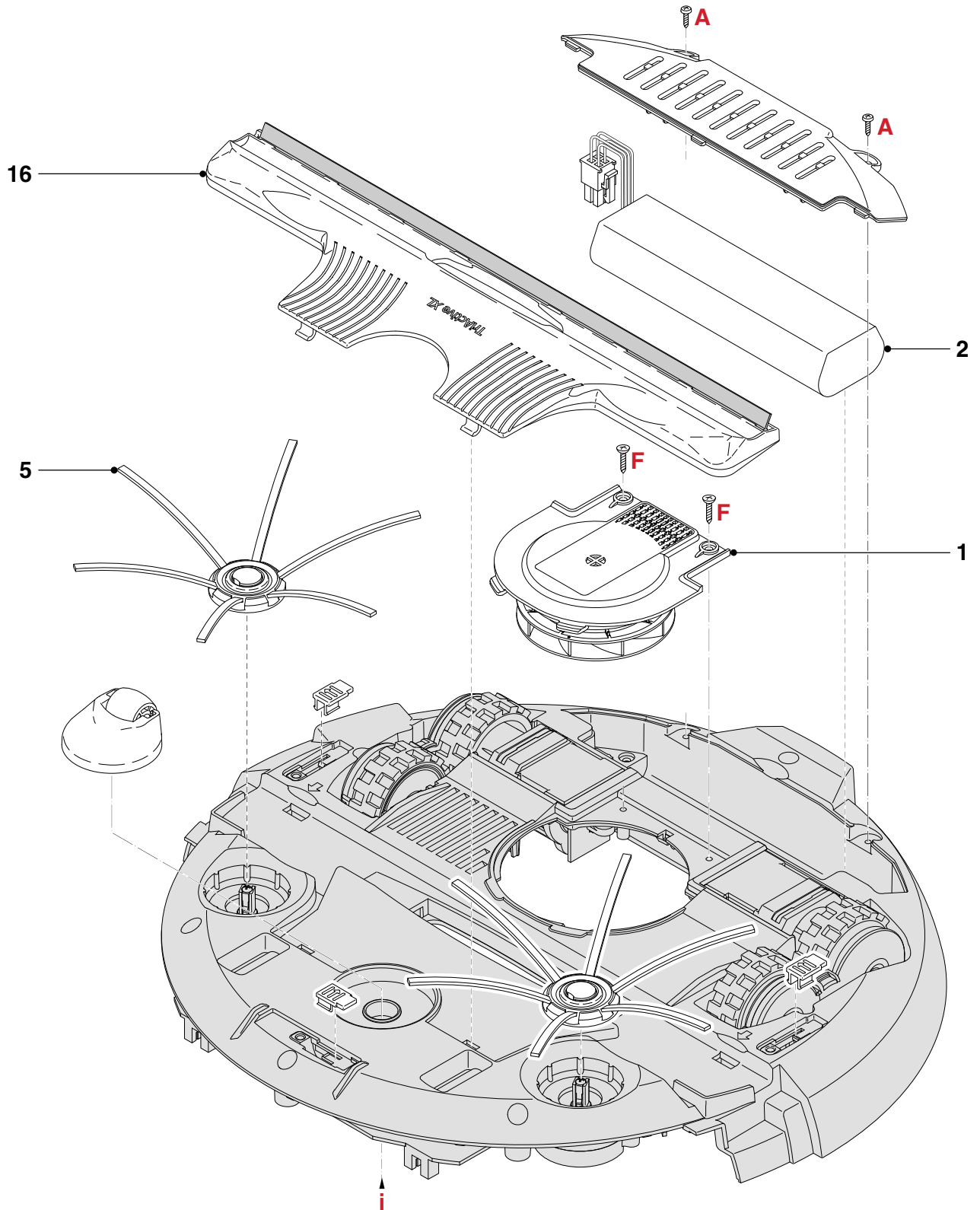
Pos	Description	Remark	Service code
10	Left double wheel assy		4322 005 37341
11	Right double wheel assy		4322 005 37351
13	Power PCBA switch		4322 006 26171
14	Main PCBA	HE EU	4322 006 25911



Pos	Description	Service code
6	Side brush motor assy Left	4322 006 67941
7	Side brush motor assy Right	4322 006 67951
17	Cliff Sensor Front	4322 005 38001
18	Cliff sensor Left / Right	4322 005 30031
26	Back IR Receiver for Hawk	9965 100 78435

Exploded view

FC8776/01 / FC8776/31



Pos	Description	Remark	Service code
1	Suction motor assy	12.8 V - 10200 rpm	4322 006 95161
2	ICR18650 assy	14.8V - 2800 mAh	4322 005 37981
5	Side brushes	Set of 2	4322 004 25961
16	Nozzle assy		4322 005 37331