

# EasyTouch Plus Garment Steamer

Service  
Service  
Service

**GC512**    **GC517**    **GC524**  
**GC513**    **GC518**    **GC527**  
**GC514**    **GC522**    **RI514**  
**GC516**    **GC523**    **RI524**  
**GC528**    **GC529**

Philips Consumer Lifestyle

Version 5

# Service Manual

## Technical Information

- Voltage :220 - 240 V (ROW)
  - Taiwan LV :110 V
  - Brazil HV :220 - 240 V
  - Brazil LV :127 V
  - China/Korea HV :220 V
- Frequency :50 - 60 Hz
- Power :1600 W
- Dimensions :433 x 1620 x 311 mm
- Weight :3.2 ± 0.1KG

## Green Efficiency

- Product packaging: 100% recycable
- User manual: 100% recycled paper

## Safety Information

- This product meets the requirements regarding interference suppression on radio and TV.

## Product Information

- Fast crease removal
- Variable steam levels
- Vertical steam

## Easy to Use

- Safe on all fabrics: Even delicates like silk
- Detachable water tank
- Integrated power plug

## Parts List

POS	DESCRIPTION	GC512/40 889051240870 RUSSIA	GC512/48 889051248710 CHINA	GC513/48 889051348710 CHINA	GC514/36 889051436600 DUBAI
1	GLOVE	996510077972	996510077972	996510077972	996510077972
2	HANGER	996510080147	996510080147	996510078239	996510078327
3	POLE	996510078206	996510078206	996510078206	996510078206
4	MAIN ASSY W/O WATER TANK ASSY	996510079195	996510079201	996510079202	996510079227
9	DE-CALC BASE + DE-CALC KNOB	996510079246	996510079246	996510079243	996510079251
10	WATER SPOUT	996510079193	996510079193	996510079193	996510079228
11	WATER TANK ASSY	996510080148	996510080148	996510079244	996510079199

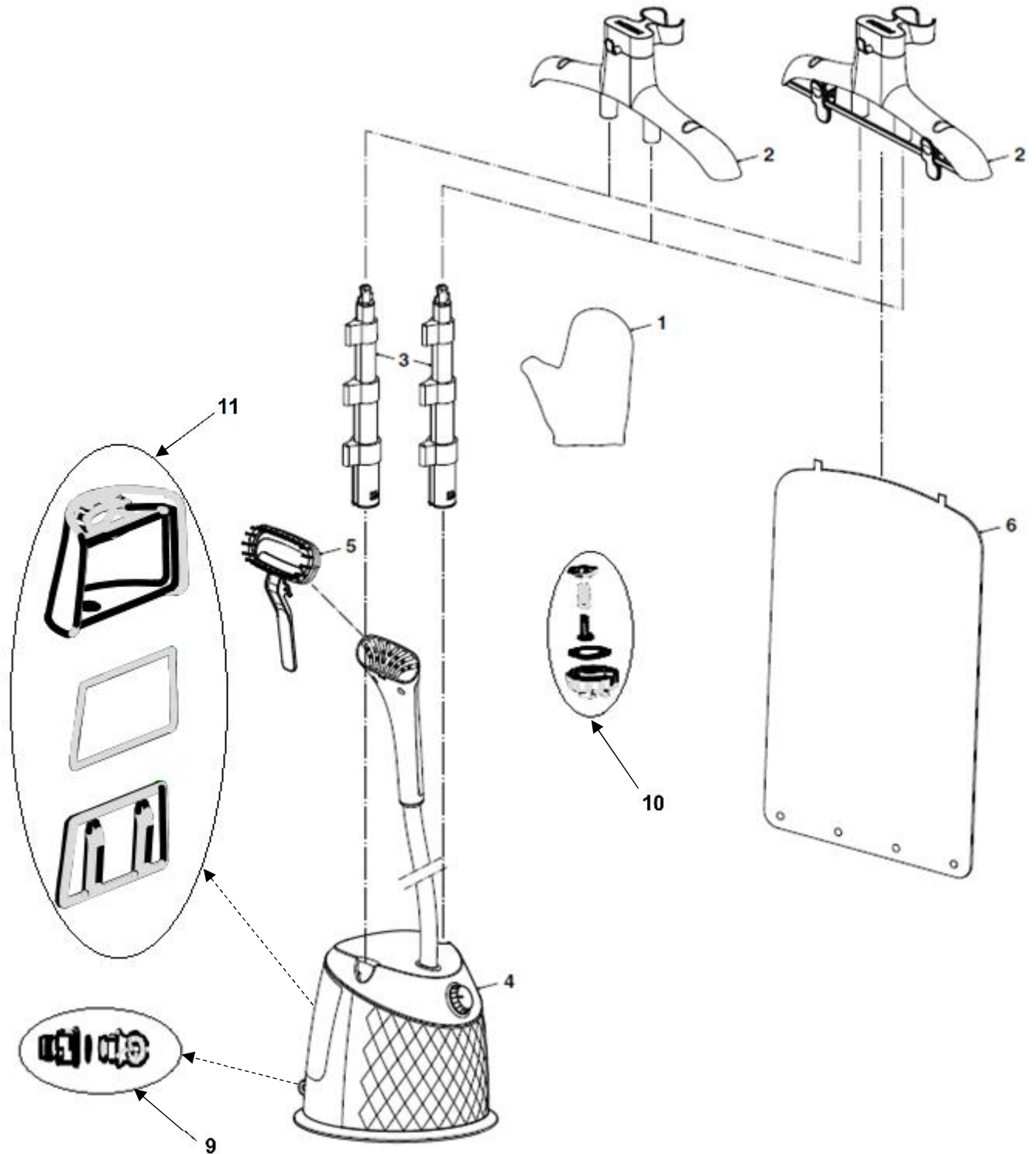
POS	DESCRIPTION	GC514/40 889051440510 CHILE	GC514/40 889051440600 DUBAI	GC514/40 889051440640 THAILAND	GC514/40 889051440870 RUSSIA
1	GLOVE	996510077972	996510077972	996510077972	996510077972
2	HANGER	996510078207	996510078207	996510078207	996510078207
3	POLE	996510078206	996510078206	996510078206	996510078206
4	MAIN ASSY W/O WATER TANK ASSY	996510079186	996510079179	996510079194	996510079179
9	DE-CALC BASE + DE-CALC KNOB	996510079243	996510079243	996510079243	996510079243
10	WATER SPOUT	996510079193	996510079193	996510079193	996510079193
11	WATER TANK ASSY	996510079244	996510079244	996510079244	996510079244

POS	DESCRIPTION	GC514/40 889051440280 INDIA	GC514/40 889051440230 SOUTH AFRICA	GC514/43 889051443660 TAIWAN	GC514/46 889051446500 SINGAPORE
1	GLOVE	996510077972	996510077972	996510077972	996510077972
2	HANGER	996510078207	996510078207	996510078207	996510078207
3	POLE	996510078206	996510078206	996510078206	996510078206
4	MAIN ASSY W/O WATER TANK ASSY	996510079387	996510080146	996510078205	996510079233
9	DE-CALC BASE + DE-CALC KNOB	996510079243	996510079243	996510079243	996510079243
10	WATER SPOUT	996510079193	996510079193	996510079193	996510079193
11	WATER TANK ASSY	996510079244	996510079244	996510079244	996510079244

POS	DESCRIPTION	GC514/46 889051446600 DUBAI	GC514/48 889051448470 KOREA	GC514/48 889051448080 GREECE	GC514/49 889051449500 SINGAPORE
1	GLOVE	996510077972	996510077972	996510077972	996510077972
2	HANGER	996510078207	996510078207	996510078207	996510078207
3	POLE	996510078206	996510078206	996510078206	996510078206
4	MAIN ASSY W/O WATER TANK ASSY	996510079233	996510079204	996510079204	996510079179
9	DE-CALC BASE + DE-CALC KNOB	996510079243	996510079243	996510079243	996510079243
10	WATER SPOUT	996510079193	996510079193	996510079193	996510079193
11	WATER TANK ASSY	996510079244	996510079244	996510079244	996510079244

**Notes:** Parts at POS 1, 2, 9 & 11 option for CRP

**Exploded View**



**Notes:**

Pos. 1 to 6 and 9 to 11 are service parts

Scale: Not to scale

Published by Philips Consumer Lifestyle