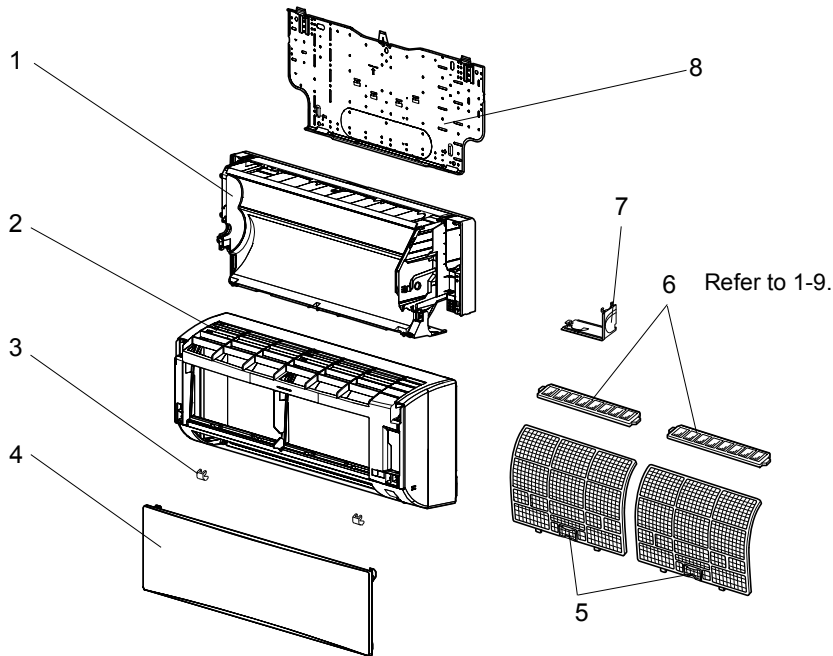


1

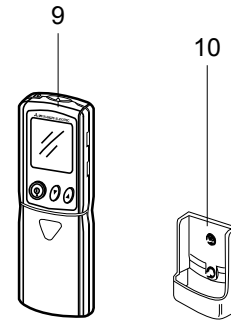
RoHS PARTS LIST

MSY-GH10VA MSY-GH13VA

1-1. INDOOR UNIT STRUCTURAL PARTS



1-2. ACCESSORY AND REMOTE CONTROLLER



1-1. INDOOR UNIT STRUCTURAL PARTS

| No. | RoHS | Part No. | Part name | Symbol in Wiring Diagram | Q'ty/unit | | Remarks |
|-----|------|-------------|----------------------|--------------------------|-------------|-------------|------------------|
| | | | | | MSY-GH | | |
| | | | | | 10VA - [V1] | 13VA - [V1] | |
| 1 | G | E12 A89 234 | BOX | | 1 | 1 | |
| 2 | G | E12 F03 000 | PANEL ASSEMBLY | | 1 | 1 | Including No.3,4 |
| 3 | G | E12 913 067 | SCREW CAP | | 2 | 2 | 2 PCS/SET |
| 4 | G | E12 F03 010 | FRONT PANEL | | 1 | 1 | |
| 5 | G | E12 F45 100 | NANO PLATINUM FILTER | | 2 | 2 | 1 PC/SET |
| 6 | G | - | AIR CLEANING FILTER | | 2 | 2 | MAC-408FT-E |
| 7 | G | E12 A89 975 | CORNER BOX (RIGHT) | | 1 | 1 | |
| 8 | G | E12 A89 970 | INSTALLATION PLATE | | 1 | 1 | |

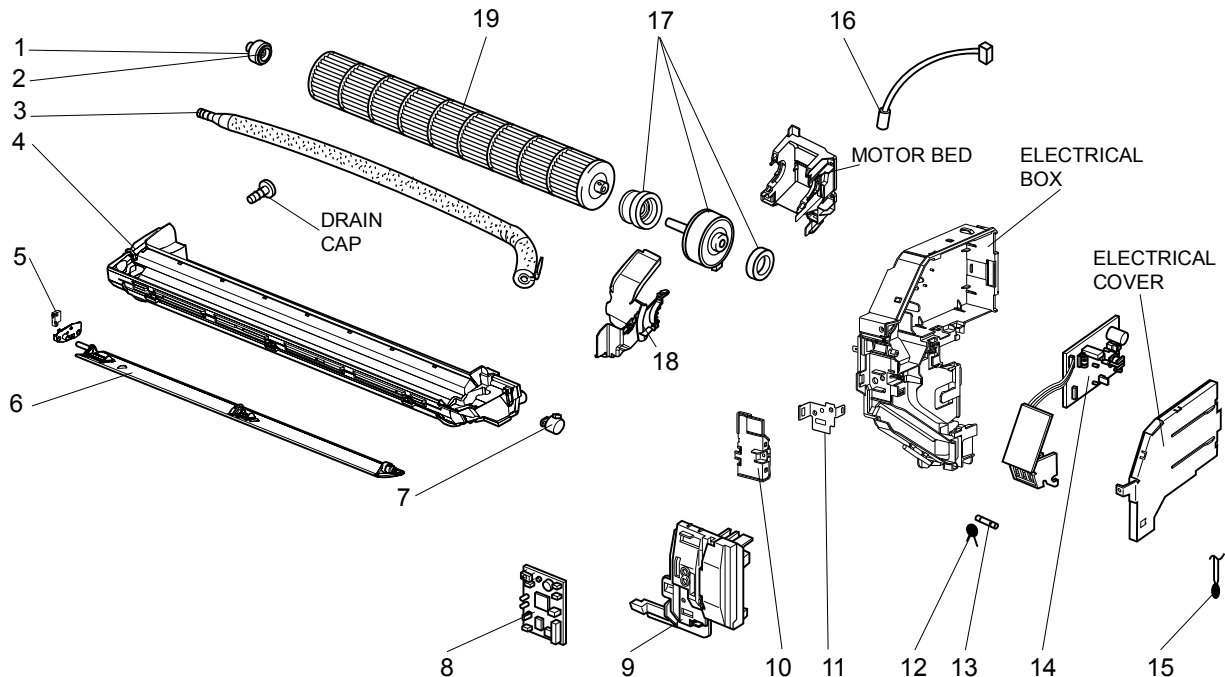
1-2. ACCESSORY AND REMOTE CONTROLLER

| | | | | | | | |
|----|---|-------------|--------------------------|--|---|---|-------|
| 9 | G | E12 972 426 | REMOTE CONTROLLER | | 1 | 1 | KM05E |
| 10 | G | E12 527 083 | REMOTE CONTROLLER HOLDER | | 1 | 1 | |

RoHS PARTS LIST

MSY-GH10VA MSY-GH13VA

1-3. INDOOR UNIT ELECTRICAL PARTS AND FUNCTIONAL PARTS



| No. | RoHS | Part No. | Part name | Symbol in Wiring Diagram | Q'ty/unit | | Remarks |
|-----|------|-------------|---|--------------------------|------------------|-----------------|-------------|
| | | | | | MSY-GH | | |
| | | | | | 10VA - <u>V1</u> | 13VA- <u>V1</u> | |
| 1 | G | E12 751 509 | BEARING MOUNT | | 1 | 1 | |
| 2 | G | E12 001 504 | SLEEVE BEARING | | 1 | 1 | |
| 3 | G | E12 897 702 | DRAIN HOSE | | 1 | 1 | |
| 4 | G | E12 F03 235 | NOZZLE ASSEMBLY | | 1 | 1 | |
| 5 | G | E12 B66 316 | INTERLOCK SWITCH | | 1 | 1 | |
| 6 | G | E12 B66 040 | HORIZONTAL VANE | | 1 | 1 | |
| 7 | G | E12 A89 303 | VANE MOTOR | MV | 1 | 1 | UP & DOWN |
| 8 | G | E12 J20 452 | ELECTRONIC CONTROL P.C. BOARD | | 1 | | |
| | G | E12 J21 452 | P.C. BOARD | | | 1 | |
| 9 | G | E12 A89 095 | INDOOR ELECTRONIC CONTROL P.C. BOARD HOLDER | | 1 | 1 | |
| 10 | G | E12 F45 784 | V.A. CLAMP | | 1 | 1 | |
| 11 | G | E12 F45 780 | TERMINAL BLOCK COVER | | 1 | 1 | |
| 12 | G | E12 B75 385 | VARISTOR | NR11 | 1 | 1 | |
| 13 | G | E12 A49 382 | FUSE | F11 | 1 | 1 | T3.15AL250V |
| 14 | G | E12 E31 440 | POWER P.C. BOARD ※1 | | 1 | | |
| | G | E12 G02 440 | | | | 1 | |
| 15 | G | E12 A89 308 | ROOM TEMPERATURE THERMISTOR | RT11 | 1 | 1 | |
| 16 | G | E12 F49 307 | INDOOR COIL THERMISTOR | RT12 | 1 | 1 | |
| 17 | G | E12 B72 300 | INDOOR FAN MOTOR ※2 | | 1 | | RC4V18-□□ |
| | G | E12 E99 300 | | | | 1 | RC0J40-□□ |
| 18 | G | E12 A89 333 | MOTOR BAND | | 1 | 1 | |
| 19 | G | E12 A89 302 | LINE FLOW FAN | | 1 | 1 | |

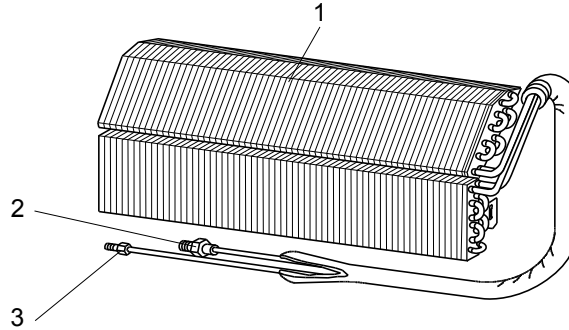
※1 Including TERMINAL BLOCK with TERMINAL P.C. BOARD

※2 Including FAN MOTOR RUBBER MOUNT (2 PCS/SET)

RoHS PARTS LIST

MSY-GH10VA MSY-GH13VA

1-4. INDOOR UNIT HEAT EXCHANGER



| No. | RoHS | Part No. | Part name | Symbol in Wiring Diagram | Q'ty/unit | | Remarks |
|-----|------|-------------|----------------|--------------------------------|-------------|-------------|---------|
| | | | | | MSY-GH | | |
| | | | | | 10VA - [V1] | 13VA - [V1] | |
| 1 | G | E12 J20 620 | INDOOR HEAT | | 1 | | |
| | G | E12 J21 620 | EXCHANGER | | 1 | | |
| 2 | G | E12 815 666 | UNION (GAS) | | 1 | 1 | ø9.52 |
| 3 | G | E12 151 667 | UNION (LIQUID) | | 1 | 1 | ø6.35 |