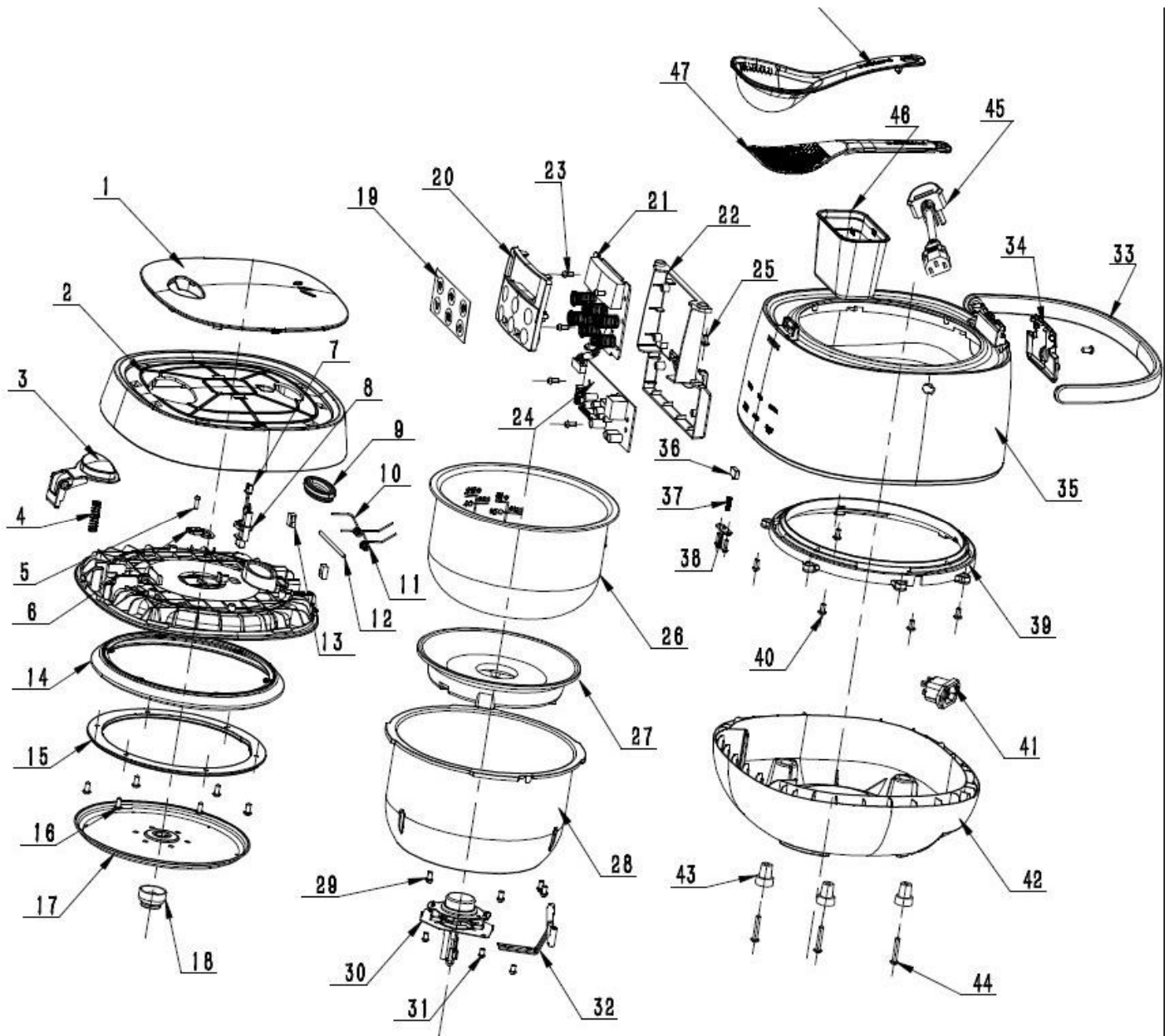


Philips Consumer Lifestyle

# Service Manual

1	型号	HD3060
2	产品图片	
3	控制方式	轻触式
4	额定电源	220V~50Hz
5	额定功率(W)	330W
6	容量(L)	2.0L

# 一、HD3060爆炸图



## 二、HD3060 零部件清单

序号			物料描述	物料编码
1	996510062839	DECO FOR TOP COVER	面盖装饰片	660500000022
2	996510062844	FRONT COVER	面盖	660500000030
3	996510062855	BUTTON FOR OPENING COVER	开盖按钮	660500000044
4	996510062865	SPRING OF BUTTON	按钮弹簧	660300000038
6	996510062843	PRESSED COMPACT FOR TEMPERATURE DETECTOR	上盖传感器压块	660200003302
7	996510070658	TEMPERATURE DETECTOR MODULE	上盖传感组件	610204080036
8	996510062873	SEAL TO DETECT TEMPERATURE	感温杯密封圈	610206010079
9	996510062838	SEALING FOR STEAM VALVE	蒸汽阀密封圈	610206010078
10	996510062856	SPRING OF GEMEL (RIGHT)	铰链弹簧(右)	660300000026
11	996510062864	SPRING OF GEMEL (LEFT)	铰链弹簧(左)	660300000025
12	996510062869	AXLE OF GEMEL	铰链轴	610204020104
13	996510057163	SILICON BLOCK	阻尼硅胶块	610206900024
14	996510070656	SEAL FOR INNER PAN	内锅密封圈	660400003104
15	996510062866	PRESSER FOR SEALING RING	密封圈压环	660500000024
17	996510062837	PANEL FOR KEEPING WARM	保温座板	620203020063
18	996510062847	SILICON RING FOR DETACHABLE INNER LID	保温座板硅胶圈	610206010077
19	996510062861	SCREEN STICKER	显示板支架贴纸	660800000034
20	996510070649	BRACKET OF CONTROL MODULE	按键支架	660500003661
21	996510072146	MAIN THERMOSTAT ASSY	主温控器组件	660200003512
22	996510062854	CIRCUIT BOARD BRACKET	电路板支架	660500000032
23	996510072144	DISPLAY BOARD	显示板	660200003373
24	996510069175	POWER BOARD ASSEMBLY	电源板	660200003182
25	996510062851	SCREW	螺杆	613300010110
26	996510062859	INNER PAN	内锅	620203030376
27	996510062875	HEATING ELEMENT MODULE	发热盘	620201030040
28	996510069873	OUTER PAN	外锅	660300003270
29	996510057747	SCREW M4*8	螺钉	613300030023
33	996510062863	HANDLE	提手	660500000021
34	996510062841	COVER FOR GEMEL	铰链盖	620202060043
35	996510066222	HOUSE	外壳	660500003034
36	996510062853	CROWN BAR FOR OPEN LID	开盖顶杆	620202900122
37	996510062835	PRESSURE SPRING FOR CROWN BAR TO OPEN	开盖顶杆压簧	610204020110
38	996510062868	PRESSED COMPACT FOR CROWN BAR TO OPEN	开盖顶杆压块	620202900121
39	996510062858	HEAT SHIELD FOR OUTER PAN	隔热圈	660500000027
40	996510058831	SCREWS	螺丝	613300010015
41	996510054516	POWER SOCKET	插座	610201070007
42	996510062867	HOUSE BASE	底座	620202110221
43	996510062848	BASE FIXTURE	隔柱	660500000033
44	996510062851	SCREW	螺杆	613300010110
45	996510050203	Power Cord	电源线	610201030014
46	996510051778	MEASURE CUP	量杯	620202070021
47	996510051777	RICE SPOON	饭勺	620202070020
48	996510051789	SOAP SPOON	汤勺	620202080007
51	996510069745	FANCY BOX	内箱	660110000112
55	996510074936	INNER COVER	内盖	660500000029