

# Air Fryer

Service  
Service  
Service



HD9220/20  
HD9220/21  
HD9220/22  
HD9220/23  
HD9220/24  
HD9220/25  
HD0229/20

Philips Consumer Lifestyle

Version: A

# Service Manual

## PRODUCT INFORMATION

- This product meets requirements regarding interference suppression on radio and TV.
- After the product has been repaired, it should function properly and has to meet the safety requirements as officially laid down at this moment.

## OPTIONAL (Accessories)

- Baking dish 4222 459 52761 HD9925/00
- QC Basket 4203 036 08741
- double layer accessory 4203 036 04141 HD9904/00

## TECHNICAL INFORMATION

- Product dimensions (W x H x D) : 287 x 315 x 384 mm
- Cord length : 0.8 meter
- Materials : Outer skin : Plastic (PP)
- : Pan : Aluminized steel
- : Basket : Aluminized steel
- : Basket mesh : Stainless steel
- : Coating : PTFE coating
- Capacity : 2.2 liter (till max indicator)
- Weight : 7.0 kg
- Coloursetting : Black
- Temperature : 60 till 200 °C
- Fuse cut-o temp. Motor : 145 °C
- TCO : 190 °C

	Voltage	Frequency	Power consumption
WEU, EEU, SEU, Nordic, TR	220 - 240V	50 Hz	1425 W
UK, DB, SGP, HK, MY, IN, TH, AU, NZ, ZA	220 - 240V	50 Hz	1425 W
AR	220V	50 Hz	1425 W
CN	220V	50 Hz	1300 W
TW	110V	60 Hz	1425 W
SA, KR	220V	60 Hz	1425 W

# PARTSLISTS

HD9220/20  
 HD9220/21  
 HD9220/22  
 HD9220/23  
 HD9220/24  
 HD9220/25  
 HD0229/20

Pos	Code	Description
1	4222 459 49121	Cover
2	4222 459 49111	Timer knob
3	4222 459 49211	Timer cover
4	4222 459 51901	Food separator **
5*	4203 036 04811	Basket
6*	4203 036 04841	Pan
7	4203 036 06521	Rubber foot
8	4203 036 05661	Top cover * HV
	4222 459 55971	Top cover * TW – 110V
9	4203 036 08641	SS spring timer HV JP version
	4222 459 53251	Stainless steel timer HV
	4222 459 55371	Stainless steel timer LV
10	4222 459 49181	Fuse incl. Wires < wk1233
	4222 459 55381	Fuse incl. Wires, new position > wk1234
11	4203 036 05331	Fan 50 Hz
	4203 036 05341	Fan 60 Hz
12	4203 036 09101	Heating element HV – 50Hz
	4203 036 09111	Heating element HV – 60Hz
	4203 036 09121	Heating element HV – 60 Hz >wk1147
13	4222 459 49101	Base EU plug < wk1146
	4203 036 04931	Base EU plug > wk1147
	4203 036 04961	Base UK/MEA > wk1147
	4203 036 04971	Base CH plug
	4203 036 05041	Base AU plug
	4203 036 05061	Base SA, IN plug
	4203 036 05111	Base TW plug
	4203 036 05121	Base CN plug
	4222 459 55571	Base TH plug
14	4222 459 53061	Thermostat assy incl. knob
15	4203 036 04871	Motor fan assy HV – 50Hz
	4203 036 04881	Motor fan assy HV – 60Hz
	4203 036 04901	Motor fan assy CN
16	4222 459 52761	Baking dish
	4222 459 51851	10 pcs. Of 2 wire crimp housing (CE-2)
	4222 459 51891	10 pcs. Of 3 and 4 wire crimp housing (CE-5)

\* From production WK1211 the Green light will be removed.

\*\* From production WK1250 the Food separator is removed.

## ACCESSORIES:

double layer accessory: 4203 036 05171 HD9904/00 EU

4222 459 02931 HD9904/00 CN version

QC Basket: 4203 036 08741 (black/silver) HD9220/25 (TW)

4203 036 08761 (black version)

Removable mesh: 4203 036 07551

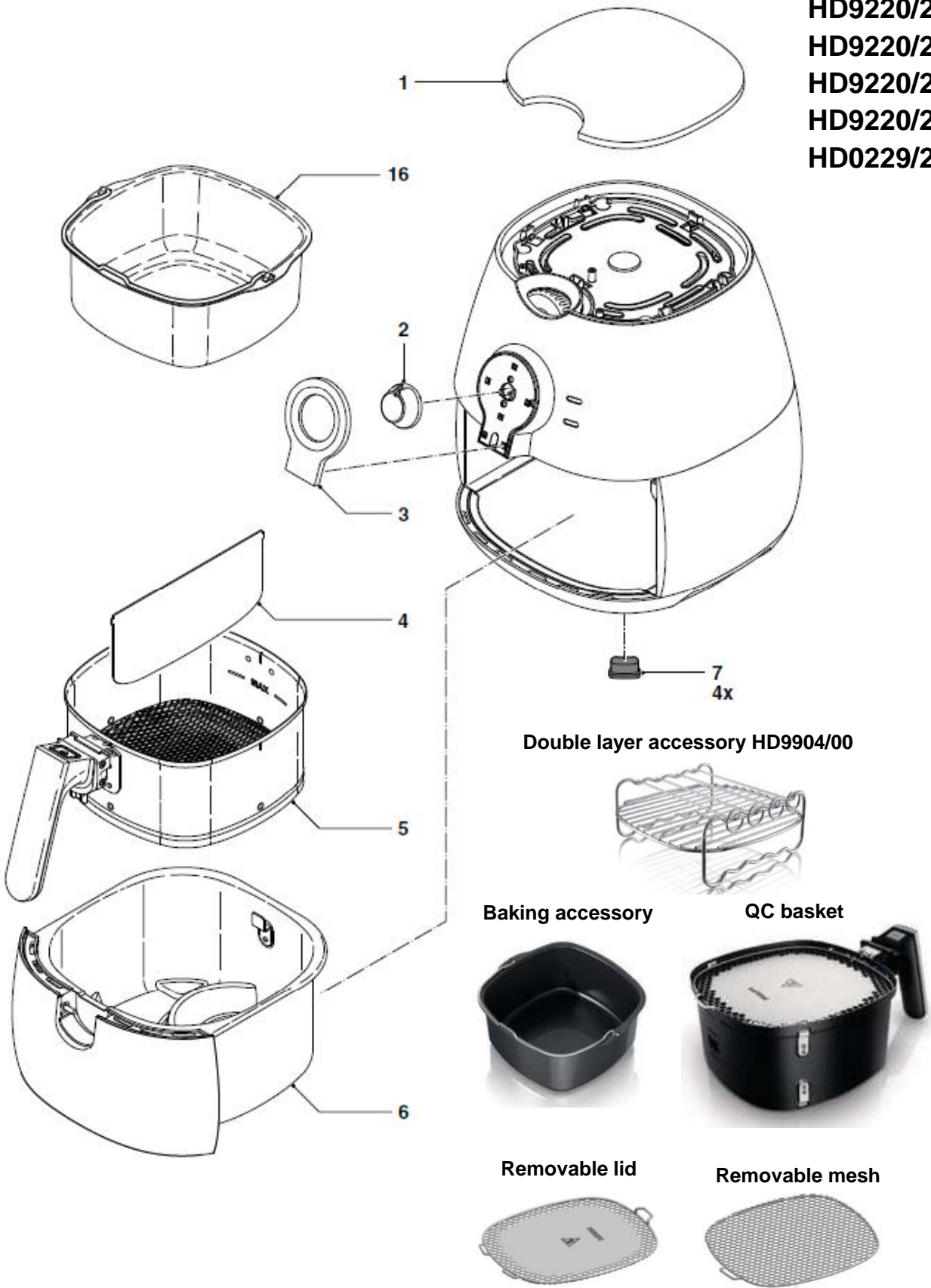
Removable lid: 4203 036 07561

## Important:

Till production year 2011/36 please order the Pos. 5 and 6 always together as a set

# EXPLODED VIEW

HD9220/20  
HD9220/21  
HD9220/22  
HD9220/23  
HD9220/24  
HD9220/25  
HD0229/20



# EXPLODED VIEW

HD9220/20  
HD9220/21  
HD9220/22  
HD9220/23  
HD9220/24  
HD9220/25  
HD0229/20

