

SHARP PARTS GUIDE



No. S13M1460LE631MX-WH

LCD COLOUR TELEVISION

LC-60LE631M-WH

LC-60LE631X-WH

CONTENTS

- | | |
|--|---|
| [1] PRINTED WIRING BOARD ASSEMBLIES | [7] CABINET AND MECHNICAL PARTS |
| [2] LCD PANEL | [8] LCD PANEL |
| [3] MAIN UNIT (DKEYMF904FM10 / FM12) | [9] SUPPLIED ACCESSORIES |
| [4] T-CON UNIT (DUNTKF908FM11) | [10] PACKING PARTS (NOT REPLACEMENT ITEM) |
| [5] RC/LED UNIT (DUNTKF800FMF8) | [11] SERVICE JIGS (USE FOR SERVICING) |
| [6] KEYUNIT (DUNTKF800FMF8) | |

Parts marked with "▲" are important for maintaining the safety of the set. Be sure to replace these parts with specified ones for maintaining the safety and performance of the set.

NO.	PARTS CODE	PRICE RANK	NEW MARK	PART RANK	DESCRIPTION
[1] PRINTED WIRING BOARD ASSEMBLIES					
	DKEYMF904FM10	BX			MAIN Unit (M)-WH
	DKEYMF904FM12	BZ			MAIN Unit (X)-WH
	RUNTKB057WJQZ	BR			POWER Unit
	DUNTKG016FMF8	AZ			LED/RC Unit
	DUNTKF800FMF8	AY			KEY Unit
	DUNTKF908FM11	BX			T-CON Unit
[2] LCD PANEL					
	B3KU60L631M				MODULE ASSY
	R1LK600D3GV0DF	CZ			LCD PANEL
[3] MAIN UNIT (DKEYMF904FM10 / FM12)					
C2701	VCCCCZ1HH100DY	AB		V	Capacitor 10p 50V Ceramic
C2702	VCCCCZ1HH120JY	AB		V	Capacitor 12p 50V Ceramic
C2708	VCKYCZ1AB104KY	AB		V	Capacitor 0.1 10V Ceramic
C2713	VCKYCZ1AB104KY	AB		V	Capacitor 0.1 10V Ceramic
C2714	VCKYCZ1AB104KY	AB		V	Capacitor 0.1 10V Ceramic
C2715	VCKYCZ1AB104KY	AB		V	Capacitor 0.1 10V Ceramic
C2716	VCKYCZ1AB104KY	AB		V	Capacitor 0.1 10V Ceramic
C2717	VCKYCZ1AB104KY	AB		V	Capacitor 0.1 10V Ceramic
C2735	RC-KZA709WJQZY	AA		V	Capacitor
C2736	RC-KZA709WJQZY	AA		V	Capacitor
C2737	RC-KZA709WJQZY	AA		V	Capacitor
C2738	RC-KZA709WJQZY	AA		V	Capacitor
C2740	VCKYCY1EB334KY	AB		V	Capacitor 0.33 25V Ceramic
C2744	VCKYCY1EB334KY	AB		V	Capacitor 0.33 25V Ceramic
C9607	RC-KZA067WJZZY	AB		V	Capacitor
C9608	RC-KZA067WJZZY	AB		V	Capacitor
C9609	RC-KZA067WJZZY	AB		V	Capacitor
C9612	RC-KZA067WJZZY	AB		V	Capacitor
IC2707	VHIYSS951VZ-1Y	AN		V	IC YSS951-VZE2
IC9603	VHIS132B33M-1Y	AD		V	S-1132B33-M5T1G
IC9607	VHIS132B18M-1Y	AD		V	S-1132B18-M5T1G
L2701	RCILPB106WJZZY	AC		V	COIL
L2702	RCILPB106WJZZY	AC		V	COIL
L2703	RCILPB106WJZZY	AC		V	COIL
L2704	RCILPB106WJZZY	AC		V	COIL
R2702	VRS-CZ1JF100JY	AA		V	Resistor 10 1/16W Metal Oxide
R2705	VRK-SA1JF100JY	AB		V	Resistor 10 1/16W Metal Composition
R2711	VRS-CZ1JF102JY	AA		V	Resistor 1k 1/16W Metal Oxide
R2716	VRS-CZ1JF105JY	AA		V	Resistor 1M 1/16W Metal Oxide
R2717	VRS-CZ1JF000JY	AA		V	Resistor 0 1/16W Metal Oxide
R2729	VRS-CZ1JF000JY	AA		V	Resistor 0 1/16W Metal Oxide
R2730	VRS-CZ1JF472JY	AA		V	Resistor 4.7k 1/16W Metal Oxide
R2731	VRS-CZ1JF472JY	AA		V	Resistor 4.7k 1/16W Metal Oxide
R2732	VRS-CZ1JF000JY	AA		V	Resistor 0 1/16W Metal Oxide
R2737	VRS-CZ1JF472JY	AA		V	Resistor 4.7k 1/16W Metal Oxide
R2739	VRS-CZ1JF103JY	AA		V	Resistor 10k 1/16W Metal Oxide
R2744	VRS-CZ1JF000JY	AA		V	Resistor 0 1/16W Metal Oxide
R2746	VRS-CZ1JF000JY	AA		V	Resistor 0 1/16W Metal Oxide
R2785	VRS-CZ1JF223JY	AA		V	Resistor 22k 1/16W Metal Oxide
R2795	VRS-CZ1JF000JY	AA		V	Resistor 0 1/16W Metal Oxide
R2796	VRS-CZ1JF000JY	AA		V	Resistor 0 1/16W Metal Oxide
R2621	VRS-CZ1JF102JY	AA		V	Resistor 1k 1/16W Metal Oxide
R2622	VRS-CZ1JF102JY	AA		V	Resistor 1k 1/16W Metal Oxide
R2681	VRS-CZ1JF000JY	AA		V	Resistor 0 1/16W Metal Oxide
X2701	RCRSCA235WJQZY	AD		V	Crystal
[4] T-CON UNIT (DUNTKF908FM11)					
FB 6153	RBLN-02071AZZY	AB			Ferrite Beads
FB 6154	RBLN-02071AZZY	AB			Ferrite Beads
FB 6171	RBLN-02071AZZY	AB			Ferrite Beads
FB 6161	RBLN-A438WJQZY	AB			Ferrite Beads
FB 6162	RBLN-A438WJQZY	AB			Ferrite Beads
FB 6164	RBLN-A438WJQZY	AB			Ferrite Beads
FB 6165	RBLN-A438WJQZY	AB			Ferrite Beads
FB 6167	RBLN-A438WJQZY	AB			Ferrite Beads
FB 6168	RBLN-A438WJQZY	AB			Ferrite Beads
FB 6169	RBLN-A438WJQZY	AB			Ferrite Beads
FB 6170	RBLN-A438WJQZY	AB			Ferrite Beads
FB 4821	RBLN-A459WJQZY	AB			Ferrite Beads
FB 4822	RBLN-A459WJQZY	AB			Ferrite Beads
C 6321	RC-AZA082WJQZY	AC			Capacitor
C 5427	RC-KZA110WJZZY	AC			Capacitor
C 5428	RC-KZA110WJZZY	AC			Capacitor
C 6271	RC-KZA176WJZZY	AC			Capacitor
C 6281	RC-KZA176WJZZY	AC			Capacitor
C 6309	RC-KZA176WJZZY	AC			Capacitor
C 6155	RC-KZA218WJZZY	AC			Capacitor
C 6157	RC-KZA810WJQZY	AC			Capacitor
C 6166	RC-KZA810WJQZY	AC			Capacitor
C 6168	RC-KZA810WJQZY	AC			Capacitor
C 6175	RC-KZA810WJQZY	AC			Capacitor
C 6246	RC-KZA810WJQZY	AC			Capacitor
C 6251	RC-KZA810WJQZY	AC			Capacitor

NO.	PARTS CODE	PRICE RANK	NEW MARK	PART RANK	DESCRIPTION
[4] T-CON UNIT (DUNTKF908FM11)					
C 6254	RC-KZA810WJQZY	AC			Capacitor
C 6232	RH-VXA187WJQZY	AC			Capacitor
C 5422	VCKYCY1EB104KY	AA			Capacitor 0.1 25V Ceramic
C 5424	VCKYCY1EB104KY	AA			Capacitor 0.1 25V Ceramic
C 5452	VCKYCY1EB104KY	AA			Capacitor 0.1 25V Ceramic
C 5453	VCKYCY1EB104KY	AA			Capacitor 0.1 25V Ceramic
C 6164	VCKYCZ1EB103KY	AA			Capacitor 0.01 25V Ceramic
C 6170	VCKYCZ1EB103KY	AA			Capacitor 0.01 25V Ceramic
C 6171	VCKYCZ1EB103KY	AA			Capacitor 0.01 25V Ceramic
C 6179	VCKYCZ1EB103KY	AA			Capacitor 0.01 25V Ceramic
C 6180	VCKYCZ1EB103KY	AA			Capacitor 0.01 25V Ceramic
C 6181	VCKYCZ1EB103KY	AA			Capacitor 0.01 25V Ceramic
C 6182	VCKYCZ1EB103KY	AA			Capacitor 0.01 25V Ceramic
C 6190	VCKYCZ1EB103KY	AA			Capacitor 0.01 25V Ceramic
C 6203	VCKYCZ1EB103KY	AA			Capacitor 0.01 25V Ceramic
C 6206	VCKYCZ1EB103KY	AA			Capacitor 0.01 25V Ceramic
C 6214	VCKYCZ1EB103KY	AA			Capacitor 0.01 25V Ceramic
C 6220	VCKYCZ1EB103KY	AA			Capacitor 0.01 25V Ceramic
C 6221	VCKYCZ1EB103KY	AA			Capacitor 0.01 25V Ceramic
C 6223	VCKYCZ1EB103KY	AA			Capacitor 0.01 25V Ceramic
C 6227	VCKYCZ1EB103KY	AA			Capacitor 0.01 25V Ceramic
C 6231	VCKYCZ1EB103KY	AA			Capacitor 0.01 25V Ceramic
C 6239	VCKYCZ1EB103KY	AA			Capacitor 0.01 25V Ceramic
C 6244	VCKYCZ1EB103KY	AA			Capacitor 0.01 25V Ceramic
C 6163	VCKYCZ1EB104KY	AA			Capacitor 0.1 25V Ceramic
C 6165	VCKYCZ1EB104KY	AA			Capacitor 0.1 25V Ceramic
C 6167	VCKYCZ1EB104KY	AA			Capacitor 0.1 25V Ceramic
C 6173	VCKYCZ1EB104KY	AA			Capacitor 0.1 25V Ceramic
C 6174	VCKYCZ1EB104KY	AA			Capacitor 0.1 25V Ceramic
C 6176	VCKYCZ1EB104KY	AA			Capacitor 0.1 25V Ceramic
C 6177	VCKYCZ1EB104KY	AA			Capacitor 0.1 25V Ceramic
C 6184	VCKYCZ1EB104KY	AA			Capacitor 0.1 25V Ceramic
C 6185	VCKYCZ1EB104KY	AA			Capacitor 0.1 25V Ceramic
C 6186	VCKYCZ1EB104KY	AA			Capacitor 0.1 25V Ceramic
C 6188	VCKYCZ1EB104KY	AA			Capacitor 0.1 25V Ceramic
C 6197	VCKYCZ1EB104KY	AA			Capacitor 0.1 25V Ceramic
C 6200	VCKYCZ1EB104KY	AA			Capacitor 0.1 25V Ceramic
C 6204	VCKYCZ1EB104KY	AA			Capacitor 0.1 25V Ceramic
C 6207	VCKYCZ1EB104KY	AA			Capacitor 0.1 25V Ceramic
C 6212	VCKYCZ1EB104KY	AA			Capacitor 0.1 25V Ceramic
C 6217	VCKYCZ1EB104KY	AA			Capacitor 0.1 25V Ceramic
C 6225	VCKYCZ1EB104KY	AA			Capacitor 0.1 25V Ceramic
C 6226	VCKYCZ1EB104KY	AA			Capacitor 0.1 25V Ceramic
C 6238	VCKYCZ1EB104KY	AA			Capacitor 0.1 25V Ceramic
C 6241	VCKYCZ1EB104KY	AA			Capacitor 0.1 25V Ceramic
C 6245	VCKYCZ1EB104KY	AA			Capacitor 0.1 25V Ceramic
C 6247	VCKYCZ1EB104KY	AA			Capacitor 0.1 25V Ceramic
C 6252	VCKYCZ1EB104KY	AA			Capacitor 0.1 25V Ceramic
C 6253	VCKYCZ1EB104KY	AA			Capacitor 0.1 25V Ceramic
C 6255	VCKYCZ1EB104KY	AA			Capacitor 0.1 25V Ceramic
C 6313	VCKYCZ1EB104KY	AA			Capacitor 0.1 25V Ceramic
C 6350	VCKYCZ1EF104ZY	AA			Capacitor 0.1 25V Ceramic
C 6353	VCKYCZ1EF104ZY	AA			Capacitor 0.1 25V Ceramic
C 6354	VCKYCZ1EF104ZY	AA			Capacitor 0.1 25V Ceramic
C 6183	VCKYCZ1HB222KY	AA			Capacitor 2200p 50V Ceramic
C 6189	VCKYCZ1HB222KY	AA			Capacitor 2200p 50V Ceramic
C 6201	VCKYCZ1HB222KY	AA			Capacitor 2200p 50V Ceramic
C 6208	VCKYCZ1HB222KY	AA			Capacitor 2200p 50V Ceramic
C 6209	VCKYCZ1HB222KY	AA			Capacitor 2200p 50V Ceramic
C 6213	VCKYCZ1HB222KY	AA			Capacitor 2200p 50V Ceramic
C 6229	VCKYCZ1HB222KY	AA			Capacitor 2200p 50V Ceramic
C 6240	VCKYCZ1HB222KY	AA			Capacitor 2200p 50V Ceramic
IC 6276	VHIBU55041+-1Y	AF			IC
IC 6273	VHIRP131K25-1Y	AF			IC
R 4812	VRK-SB1FF000JY	AA			Resistor
R 5437	VRS-CY1JF000JY	AA			Resistor
R 5438	VRS-CY1JF000JY	AA			Resistor
R 5447	VRS-CY1JF000JY	AA			Resistor
R 5449	VRS-CY1JF000JY	AA			Resistor
R 6175	VRS-CY1JF000JY	AA			Resistor
R 6241	VRS-CY1JF000JY	AA			Resistor
R 6243	VRS-CY1JF000JY	AA			Resistor
R 6448	VRS-CY1JF000JY	AA			Resistor
R 6396	VRS-CY1JF100JY	AA			Resistor
R 6333	VRS-CY1JF101FY	AA			Resistor
R 6395	VRS-CY1JF103JY	AA			Resistor
R 6346	VRS-CY1JF184FY	AA			Resistor
R 6347	VRS-CY1JF184FY	AA			Resistor
R 6322	VRS-CY1JF1R0JY	AA			Resistor
R 6341	VRS-CY1JF1R0JY	AA			Resistor
R 6350	VRS-CY1JF1R0JY	AA			Resistor
R 6365	VRS-CY1JF1R0JY	AA			Resistor
R 6366	VRS-CY1JF1R0JY	AA			Resistor
R 6367	VRS-CY1JF1R0JY	AA			Resistor
R 6368	VRS-CY1JF1R0JY	AA			Resistor

NO.	PARTS CODE	PRICE RANK	NEW MARK	PART RANK	DESCRIPTION
[4] T-CON UNIT (DUNTKF908FM11)					
R 6369	VRS-CY1JF1R0JY	AA			Resistor
R 6370	VRS-CY1JF1R0JY	AA			Resistor
R 6371	VRS-CY1JF1R0JY	AA			Resistor
R 6376	VRS-CY1JF1R0JY	AA			Resistor
R 6377	VRS-CY1JF1R0JY	AA			Resistor
R 6381	VRS-CY1JF1R0JY	AA			Resistor
R 6382	VRS-CY1JF1R0JY	AA			Resistor
R 6315	VRS-CY1JF203DY	AA			Resistor
R 6306	VRS-CY1JF205JY	AA			Resistor
R 6301	VRS-CY1JF474DY	AA			Resistor
R 6338	VRS-CY1JF512JY	AA			Resistor
R 6487	VRS-CY1JF513DY	AA			Resistor
R 4803	VRS-CZ1JF000JY	AA			Resistor 0 1/16w Metal Oxide
R 4881	VRS-CZ1JF000JY	AA			Resistor 0 1/16w Metal Oxide
R 4885	VRS-CZ1JF000JY	AA			Resistor 0 1/16w Metal Oxide
R 6174	VRS-CZ1JF000JY	AA			Resistor 0 1/16w Metal Oxide
R 6178	VRS-CZ1JF000JY	AA			Resistor 0 1/16w Metal Oxide
R 6179	VRS-CZ1JF000JY	AA			Resistor 0 1/16w Metal Oxide
R 6187	VRS-CZ1JF000JY	AA			Resistor 0 1/16w Metal Oxide
R 6188	VRS-CZ1JF000JY	AA			Resistor 0 1/16w Metal Oxide
R 6215	VRS-CZ1JF000JY	AA			Resistor 0 1/16w Metal Oxide
R 6216	VRS-CZ1JF000JY	AA			Resistor 0 1/16w Metal Oxide
R 6217	VRS-CZ1JF000JY	AA			Resistor 0 1/16w Metal Oxide
R 6218	VRS-CZ1JF000JY	AA			Resistor 0 1/16w Metal Oxide
R 6219	VRS-CZ1JF000JY	AA			Resistor 0 1/16w Metal Oxide
R 6223	VRS-CZ1JF000JY	AA			Resistor 0 1/16w Metal Oxide
R 6224	VRS-CZ1JF000JY	AA			Resistor 0 1/16w Metal Oxide
R 6225	VRS-CZ1JF000JY	AA			Resistor 0 1/16w Metal Oxide
R 6231	VRS-CZ1JF000JY	AA			Resistor 0 1/16w Metal Oxide
R 6232	VRS-CZ1JF000JY	AA			Resistor 0 1/16w Metal Oxide
R 6233	VRS-CZ1JF000JY	AA			Resistor 0 1/16w Metal Oxide
R 6234	VRS-CZ1JF000JY	AA			Resistor 0 1/16w Metal Oxide
R 6235	VRS-CZ1JF000JY	AA			Resistor 0 1/16w Metal Oxide
R 6246	VRS-CZ1JF000JY	AA			Resistor 0 1/16w Metal Oxide
R 6247	VRS-CZ1JF000JY	AA			Resistor 0 1/16w Metal Oxide
R 6248	VRS-CZ1JF000JY	AA			Resistor 0 1/16w Metal Oxide
R 6249	VRS-CZ1JF000JY	AA			Resistor 0 1/16w Metal Oxide
R 6254	VRS-CZ1JF000JY	AA			Resistor 0 1/16w Metal Oxide
R 6259	VRS-CZ1JF000JY	AA			Resistor 0 1/16w Metal Oxide
R 6362	VRS-CZ1JF000JY	AA			Resistor 0 1/16w Metal Oxide
R 6363	VRS-CZ1JF000JY	AA			Resistor 0 1/16w Metal Oxide
R 6443	VRS-CZ1JF000JY	AA			Resistor 0 1/16w Metal Oxide
R 4878	VRS-CZ1JF100JY	AA			Resistor 10 1/16w Metal Composition
R 4811	VRS-CZ1JF102JY	AA			Resistor 1k 1/16w Metal Oxide
R 6171	VRS-CZ1JF103JY	AA			Resistor 10k 1/16w Metal Oxide
R 6361	VRS-CZ1JF103JY	AA			Resistor 10k 1/16w Metal Oxide
R 7200	VRS-CZ1JF221JY	AA			Resistor
R 7201	VRS-CZ1JF221JY	AA			Resistor
R 4817	VRS-CZ1JF332JY	AA			Resistor
R 6359	VRS-CZ1JF333FY	AA			Resistor
R 6151	VRS-CZ1JF472JY	AA			Resistor
R 6250	VRS-CZ1JF472JY	AA			Resistor
R 5450	VRS-CZ1JF473DY	AA			Resistor
R 5451	VRS-CZ1JF473DY	AA			Resistor
R 7210	VRS-CZ1JF680JY	AA			Resistor
R 7211	VRS-CZ1JF680JY	AA			Resistor
R 7214	VRS-CZ1JF680JY	AA			Resistor
R 7215	VRS-CZ1JF680JY	AA			Resistor
Q 6284	VS2SB1132Q/-1Y	AC			Transistor
Q 6283	VS2SD1664Q+-1Y	AC			Transistor
Q 6276	VSDTC014TEB-1Y	AA			Transistor
Q 6272	VSRK7002B+-1Y	AB			Transistor
SC 4801	QCNCWA671WJQZY	AH			Connector
SC 7001	QCNCWA801WJZZY	AG			Connector
SC 7002	QCNCWA801WJZZY	AG			Connector
P 4804	QPLGNA905WJZZY	AD			Pitch Plug
FB 6151	RBLN-0207TAZZY	AB			Ferrite Beads
FB 6152	RBLN-0207TAZZY	AB			Ferrite Beads
FB 4819	RBLN-A459WJQZY	AB			Ferrite Beads
FB 4820	RBLN-A459WJQZY	AB			Ferrite Beads
FB 6163	RBLN-A459WJQZY	AB			Ferrite Beads
C 4823	RC-AZA075WJZZY	AB			Capacitor
C 6327	RC-AZA075WJZZY	AB			Capacitor
C 6328	RC-AZA075WJZZY	AB			Capacitor
C 4826	RC-KZA110WJZZY	AB			Capacitor
C 4827	RC-KZA110WJZZY	AB			Capacitor
C 5429	RC-KZA110WJZZY	AB			Capacitor
C 6299	RC-KZA110WJZZY	AB			Capacitor
C 6301	RC-KZA110WJZZY	AB			Capacitor
C 6302	RC-KZA110WJZZY	AB			Capacitor
C 6315	RC-KZA110WJZZY	AB			Capacitor
C 6318	RC-KZA110WJZZY	AB			Capacitor
C 6272	RC-KZA176WJZZY	AB			Capacitor
C 6278	RC-KZA176WJZZY	AB			Capacitor
C 6293	RC-KZA176WJZZY	AB			Capacitor

NO.	PARTS CODE	PRICE RANK	NEW MARK	PART RANK	DESCRIPTION
[4] T-CON UNIT (DUNTKF908FM11)					
C 6296	RC-KZA176WJZZY	AB			Capacitor
C 6361	RC-KZA176WJZZY	AB			Capacitor
C 6288	RC-KZA213WJZZY	AB			Capacitor
C 6341	RC-KZA213WJZZY	AB			Capacitor
C 6323	RC-KZA216WJZZY	AB			Capacitor
C 5431	RC-KZA387WJZZY	AB			Capacitor
C 5404	RC-KZA510WJPZY	AB			Capacitor
C 5405	RC-KZA510WJPZY	AB			Capacitor
C 5406	RC-KZA510WJPZY	AB			Capacitor
C 5408	RC-KZA510WJPZY	AB			Capacitor
C 5409	RC-KZA510WJPZY	AB			Capacitor
C 5410	RC-KZA510WJPZY	AB			Capacitor
C 5412	RC-KZA510WJPZY	AB			Capacitor
C 5419	RC-KZA510WJPZY	AB			Capacitor
C 6159	RC-KZA510WJPZY	AB			Capacitor
C 6332	RC-KZA510WJPZY	AB			Capacitor
C 6333	RC-KZA510WJPZY	AB			Capacitor
C 6346	RC-KZA510WJPZY	AB			Capacitor
C 6369	RC-KZA510WJPZY	AB			Capacitor
C 6284	RC-KZA736WJZZY	AB			Capacitor
C 6325	RC-KZA832WJZZY	AB			Capacitor
C 6326	RC-KZA832WJZZY	AB			Capacitor
C 6329	RC-KZA832WJZZY	AB			Capacitor
C 5432	RC-KZA848WJZZY	AB			Capacitor
C 5433	RC-KZA848WJZZY	AB			Capacitor
C 5434	RC-KZA848WJZZY	AB			Capacitor
L 6273	RCILPB255WJQZY	AD			Inductor
L 6271	RCILPB298WJQZY	AD			Inductor
L 6272	RCILPB298WJQZY	AD			Inductor
X 6151	RCRSCA243WJZZY	AE			Glass Sealing
FL 4801	RFILN0128CEZZY	AE			Filter
FL 6271	RFILNA200WJZZY	AB			Filter
D 6277	RH-EXA613WJZZY	AD			Diode
IC 6154	RH-IXD037WJZZQ	BG			GUAVA
IC 6151	RH-IXD084WJZZY	AF			2M Flash
C 6233	VCCCCZ1HH100DY	AB			Capacitor
C 6234	VCCCCZ1HH100DY	AB			Capacitor
C 6310	VCCCCZ1HH471JY	AA			Capacitor
C 6338	VCKYCY1CB154KY	AA			Capacitor
C 6297	VCKYCY1CB224KY	AB			Capacitor
C 6277	VCKYCY1EB103KY	AA			Capacitor 0.01 25V Ceramic
C 6298	VCKYCY1EB103KY	AA			Capacitor 0.01 25V Ceramic
C 4824	VCKYCY1EB104KY	AB			Capacitor 0.1 25V Ceramic
C 4825	VCKYCY1EB104KY	AB			Capacitor 0.1 25V Ceramic
C 6158	VCKYCY1EB104KY	AB			Capacitor 0.1 25V Ceramic
C 6280	VCKYCY1EB104KY	AB			Capacitor 0.1 25V Ceramic
C 6285	VCKYCY1EB104KY	AB			Capacitor 0.1 25V Ceramic
C 6286	VCKYCY1EB104KY	AB			Capacitor 0.1 25V Ceramic
C 6287	VCKYCY1EB104KY	AB			Capacitor 0.1 25V Ceramic
C 6290	VCKYCY1EB104KY	AB			Capacitor 0.1 25V Ceramic
C 6292	VCKYCY1EB104KY	AB			Capacitor 0.1 25V Ceramic
C 6295	VCKYCY1EB104KY	AB			Capacitor 0.1 25V Ceramic
C 6306	VCKYCY1EB104KY	AB			Capacitor 0.1 25V Ceramic
C 6312	VCKYCY1EB104KY	AB			Capacitor 0.1 25V Ceramic
C 6340	VCKYCY1EB104KY	AB			Capacitor 0.1 25V Ceramic
C 6359	VCKYCY1EB104KY	AB			Capacitor 0.1 25V Ceramic
C 6289	VCKYCY1EB105KY	AA			Capacitor
C 6357	VCKYCY1EB105KY	AA			Capacitor
C 6381	VCKYCY1EB223KY	AA			Capacitor
C 6303	VCKYCY1HB103KY	AA			Capacitor 1000p 50V Ceramic
C 6162	VCKYCY1HB104KY	AA			Capacitor 10000p 50V Ceramic
C 6274	VCKYCY1HB104KY	AA			Capacitor 10000p 50V Ceramic
C 6282	VCKYCY1HB104KY	AA			Capacitor 10000p 50V Ceramic
C 6283	VCKYCY1HB104KY	AA			Capacitor 10000p 50V Ceramic
C 6300	VCKYCY1HB152KY	AA			Capacitor
C 6304	VCKYCY1HB332KY	AA			Capacitor
C 6161	VCKYCY1HB333KY	AA			Capacitor
C 4801	VCKYCZ1EB104KY	AA			Capacitor 0.1 25V Ceramic
C 6330	VCKYCZ1EB104KY	AA			Capacitor 0.1 25V Ceramic
C 6331	VCKYCZ1EB104KY	AA			Capacitor 0.1 25V Ceramic
C 5421	VCKYCZ1EF104ZY	AA			Capacitor
C 5423	VCKYCZ1EF104ZY	AA			Capacitor
C 5425	VCKYCZ1EF104ZY	AA			Capacitor
C 5426	VCKYCZ1EF104ZY	AA			Capacitor
C 6394	VCKYCZ1HB471KY	AB			Capacitor
D 6271	VHDRB055L30-1Y	AC			Diode
D 6273	VHDRB055L30-1Y	AC			Diode
D 6278	VHDRB520S30-1Y	AC			Diode
D 6280	VHDRB520S30-1Y	AC			Diode
D 6285	VHDRB520S30-1Y	AC			Diode
D 6272	VHDRB552EA+-1Y	AC			Diode
D 6274	VHDRB552EA+-1Y	AC			Diode
D 6275	VHDRB552EA+-1Y	AC			Diode
IC 5403	VHIBD8124MU-1Y	AM			IC
IC 6283	VHIBD9328EF-1Y	AF			IC

NO.	PARTS CODE	PRICE RANK	NEW MARK	PART RANK	DESCRIPTION
[4] T-CON UNIT (DUNTKF908FM11)					
IC 6288	VHIMAX9673+-1Y	AK			IC
IC 6286	VHIMX17126A-1Y	AK			IC
IC 6278	VHIPQ200WNA-1Y	AG			IC
IC 6153	VHIPST3629N-1Y	AD			IC
R 4813	VRK-SA1JF000JY	AB			Resistor
R 6383	VRK-SA1JF100JY	AB			Resistor
R 5422	VRK-SB1FF100JY	AA			Resistor
R 5423	VRK-SB1FF100JY	AA			Resistor
R 5424	VRK-SB1FF100JY	AA			Resistor
R 6384	VRK-SB1FF100JY	AA			Resistor
R 6385	VRK-SB1FF100JY	AA			Resistor
R 6388	VRK-SB1FF100JY	AA			Resistor
R 5412	VRS-CB1JF000JY	AC			Resistor
R 5413	VRS-CB1JF000JY	AC			Resistor
R 5414	VRS-CB1JF000JY	AC			Resistor
R 5415	VRS-CB1JF000JY	AC			Resistor
R 5417	VRS-CB1JF000JY	AC			Resistor
R 5421	VRS-CB1JF000JY	AC			Resistor
R 6167	VRS-CY1JF000JY	AA			Resistor 0 1/16w Metal Oxide
R 6168	VRS-CY1JF000JY	AA			Resistor 0 1/16w Metal Oxide
R 6242	VRS-CY1JF000JY	AA			Resistor 0 1/16w Metal Oxide
R 6278	VRS-CY1JF000JY	AA			Resistor 0 1/16w Metal Oxide
R 6279	VRS-CY1JF000JY	AA			Resistor 0 1/16w Metal Oxide
R 6282	VRS-CY1JF000JY	AA			Resistor 0 1/16w Metal Oxide
R 6283	VRS-CY1JF000JY	AA			Resistor 0 1/16w Metal Oxide
R 6288	VRS-CY1JF000JY	AA			Resistor 0 1/16w Metal Oxide
R 6293	VRS-CY1JF000JY	AA			Resistor 0 1/16w Metal Oxide
R 6335	VRS-CY1JF000JY	AA			Resistor 0 1/16w Metal Oxide
R 6401	VRS-CY1JF000JY	AA			Resistor 0 1/16w Metal Oxide
R 6292	VRS-CY1JF103DY	AA			Resistor
R 6445	VRS-CY1JF103DY	AA			Resistor
R 6446	VRS-CY1JF103DY	AA			Resistor
R 6176	VRS-CY1JF103JY	AA			Resistor
R 6245	VRS-CY1JF103JY	AA			Resistor
R 6444	VRS-CY1JF104DY	AA			Resistor
R 6342	VRS-CY1JF123DY	AA			Resistor
R 6244	VRS-CY1JF151JY	AA			Resistor
R 6311	VRS-CY1JF153DY	AA			Resistor
R 6319	VRS-CY1JF153DY	AA			Resistor
R 6336	VRS-CY1JF154DY	AB			Resistor
R 6387	VRS-CY1JF154DY	AB			Resistor
R 6309	VRS-CY1JF164DY	AB			Resistor
R 6424	VRS-CY1JF183DY	AA			Resistor
R 6314	VRS-CY1JF223DY	AA			Resistor
R 6337	VRS-CY1JF243DY	AB			Resistor
R 6297	VRS-CY1JF272DY	AA			Resistor
R 6340	VRS-CY1JF274DY	AA			Resistor
R 6294	VRS-CY1JF303DY	AB			Resistor
R 6318	VRS-CY1JF303DY	AB			Resistor
R 6298	VRS-CY1JF472DY	AA			Resistor
R 5432	VRS-CY1JF473DY	AA			Resistor
R 5433	VRS-CY1JF473DY	AA			Resistor
R 6271	VRS-CY1JF473DY	AA			Resistor
R 6402	VRS-CY1JF473DY	AA			Resistor
R 6272	VRS-CY1JF473FY	AA			Resistor
R 6447	VRS-CY1JF473FY	AA			Resistor
R 6489	VRS-CY1JF4R7JY	AA			Resistor
R 6313	VRS-CY1JF562JY	AA			Resistor
R 6308	VRS-CY1JF752DY	AB			Resistor
R 5429	VRS-CZ1JF000JY	AA			Resistor 0 1/16w Metal Oxide
R 5443	VRS-CZ1JF000JY	AA			Resistor 0 1/16w Metal Oxide
R 6180	VRS-CZ1JF000JY	AA			Resistor 0 1/16w Metal Oxide
R 6190	VRS-CZ1JF000JY	AA			Resistor 0 1/16w Metal Oxide
R 6220	VRS-CZ1JF000JY	AA			Resistor 0 1/16w Metal Oxide
R 6238	VRS-CZ1JF000JY	AA			Resistor 0 1/16w Metal Oxide
R 6240	VRS-CZ1JF000JY	AA			Resistor 0 1/16w Metal Oxide
R 6252	VRS-CZ1JF000JY	AA			Resistor 0 1/16w Metal Oxide
R 6310	VRS-CZ1JF000JY	AA			Resistor 0 1/16w Metal Oxide
R 6355	VRS-CZ1JF000JY	AA			Resistor 0 1/16w Metal Oxide
R 6372	VRS-CZ1JF000JY	AA			Resistor 0 1/16w Metal Oxide
R 6375	VRS-CZ1JF000JY	AA			Resistor 0 1/16w Metal Oxide
R 6393	VRS-CZ1JF000JY	AA			Resistor 0 1/16w Metal Oxide
R 6394	VRS-CZ1JF000JY	AA			Resistor 0 1/16w Metal Oxide
R 6418	VRS-CZ1JF000JY	AA			Resistor 0 1/16w Metal Oxide
R 7023	VRS-CZ1JF000JY	AA			Resistor 0 1/16w Metal Oxide
R 7026	VRS-CZ1JF000JY	AA			Resistor 0 1/16w Metal Oxide
R 7041	VRS-CZ1JF000JY	AA			Resistor 0 1/16w Metal Oxide
R 7042	VRS-CZ1JF000JY	AA			Resistor 0 1/16w Metal Oxide
R 7049	VRS-CZ1JF000JY	AA			Resistor 0 1/16w Metal Oxide
R 7050	VRS-CZ1JF000JY	AA			Resistor 0 1/16w Metal Oxide
R 7053	VRS-CZ1JF000JY	AA			Resistor 0 1/16w Metal Oxide
R 7054	VRS-CZ1JF000JY	AA			Resistor 0 1/16w Metal Oxide
R 7058	VRS-CZ1JF000JY	AA			Resistor 0 1/16w Metal Oxide
R 7060	VRS-CZ1JF000JY	AA			Resistor 0 1/16w Metal Oxide
R 4842	VRS-CZ1JF100JY	AA			Resistor

NO.	PARTS CODE	PRICE RANK	NEW MARK	PART RANK	DESCRIPTION
[4] T-CON UNIT (DUNTKF908FM11)					
R 4843	VRS-CZ1JF100JY	AA			Resistor
R 4884	VRS-CZ1JF101JY	AA			Resistor
R 6255	VRS-CZ1JF102DY	AA			Resistor
R 6357	VRS-CZ1JF102DY	AA			Resistor
R 4802	VRS-CZ1JF102JY	AA			Resistor
R 6160	VRS-CZ1JF103FY	AB			Resistor
R 6162	VRS-CZ1JF103FY	AB			Resistor
R 6163	VRS-CZ1JF103FY	AB			Resistor
R 6166	VRS-CZ1JF103FY	AB			Resistor
R 6169	VRS-CZ1JF103FY	AB			Resistor
R 6486	VRS-CZ1JF103FY	AB			Resistor
R 4807	VRS-CZ1JF103JY	AA			Resistor 10k 1/16w Metal Oxide
R 4808	VRS-CZ1JF103JY	AA			Resistor 10k 1/16w Metal Oxide
R 4820	VRS-CZ1JF103JY	AA			Resistor 10k 1/16w Metal Oxide
R 4824	VRS-CZ1JF103JY	AA			Resistor 10k 1/16w Metal Oxide
R 4891	VRS-CZ1JF103JY	AA			Resistor 10k 1/16w Metal Oxide
R 6157	VRS-CZ1JF103JY	AA			Resistor 10k 1/16w Metal Oxide
R 6181	VRS-CZ1JF103JY	AA			Resistor 10k 1/16w Metal Oxide
R 6182	VRS-CZ1JF103JY	AA			Resistor 10k 1/16w Metal Oxide
R 4810	VRS-CZ1JF104JY	AA			Resistor
R 6270	VRS-CZ1JF105FY	AA			Resistor
R 6358	VRS-CZ1JF222DY	AA			Resistor
R 6153	VRS-CZ1JF330JY	AA			Resistor
R 6154	VRS-CZ1JF330JY	AA			Resistor
R 6155	VRS-CZ1JF330JY	AA			Resistor
R 6156	VRS-CZ1JF330JY	AA			Resistor
R 6236	VRS-CZ1JF330JY	AA			Resistor
R 6213	VRS-CZ1JF331JY	AA			Resistor
R 6214	VRS-CZ1JF331JY	AA			Resistor
R 6268	VRS-CZ1JF432FY	AA			Resistor
R 6269	VRS-CZ1JF432FY	AA			Resistor
R 4801	VRS-CZ1JF473JY	AA			Resistor
R 6356	VRS-CZ1JF562DY	AA			Resistor
R 7202	VRS-CZ1JF680JY	AB			Resistor
R 7203	VRS-CZ1JF680JY	AB			Resistor
R 6379	VRS-TQ2BD332FY	AA			Resistor
R 6339	VRS-TV1JD000JY	AA			Resistor
R 6419	VRS-TV2BD150JY	AA			Resistor
R 5434	VRS-TW2HF3R3JY	AA			Resistor
R 5435	VRS-TW2HF3R3JY	AA			Resistor
Q 6281	VS2SC4081/-1Y	AB			Transistor
Q 6282	VSLTC044EEB-1Y	AB			Transistor
Q 6273	VSLTC044TEB-1Y	AB			Transistor
Q 6280	VSLTC044TEB-1Y	AB			Transistor
Q 6274	VSTPC6110+-1Y	AC			Transistor
[5] RC/LED UNIT (DUNTKF800FMF8)					
P 0102	QPLGNB056WJZZY	AD			Pitch Plug
C 0104	RC-KZA761WJQZY	AB			Capacitor
C 0101	RC-KZA837WJQZY	AB			Capacitor
D 0107	RH-PXA191WJPZY	AB			Diode
D 0108	RH-PXA191WJPZY	AB			Diode
D 0111	RH-PXA223WJPZY	AC			Diode
D 0112	RH-PXA223WJPZY	AC			Diode
C 0105	VCKYCZ1EB103KY	AA			Capacitor
IC 0101	VHIGA1S100W-1Y	AE			IC
R 0135	VRS-CZ1JF000JY	AA			Resistor
R 0137	VRS-CZ1JF000JY	AA			Resistor
R 0101	VRS-CZ1JF101JY	AA			Resistor
R 0126	VRS-CZ1JF161JY	AA			Resistor
R 0129	VRS-CZ1JF161JY	AA			Resistor
R 0132	VRS-CZ1JF223JY	AA			Resistor
R 0111	VRS-CZ1JF393JY	AA			Resistor
R 0127	VRS-CZ1JF821JY	AA			Resistor
R 0130	VRS-CZ1JF821JY	AA			Resistor
Q 0101	VSKRC407E+-1Y	AB			Transistor
Q 0102	VSKRC407E+-1Y	AB			Transistor
Q 0103	VSKRC407E+-1Y	AB			Transistor
Q 0105	VSKRC407E+-1Y	AB			Transistor
RMC0101	RRMCUA053WJZZ	AE			Infra Red Receiver
[6] KEYUNIT (DUNTKF800FMF8)					
P151	QPLGNA324WJZZY	AC		V	Plug
R151	VRS-CY1JF822JY	AA		V	Resistor 8.2k 1/16W Metal Oxide
R152	VRS-CY1JF123JY	AA		V	Resistor 12k 1/16W Metal Oxide
R153	VRS-CY1JF822JY	AA		V	Resistor 8.2k 1/16W Metal Oxide
R154	VRS-CY1JF123JY	AA		V	Resistor 12k 1/16W Metal Oxide
S151	QSW-KA037WJZZY	AC		V	Switch
S152	QSW-KA037WJZZY	AC		V	Switch
S153	QSW-KA037WJZZY	AC		V	Switch
S154	QSW-KA037WJZZY	AC		V	Switch
S155	QSW-KA037WJZZY	AC		V	Switch
S156	QSW-KA037WJZZY	AC		V	Switch
S157	QSW-KA037WJZZY	AC		V	Switch

NO.	PARTS CODE	PRICE RANK	NEW MARK	PART RANK	DESCRIPTION
[7] CABINET AND MECHNICAL PARTS					
1	CCABAC973WJ42	BM			FRONT CABINET ASSEMBLY
1-1	GCABAC973WJ4B				FRONT CABINET
1-2	GCOVAE526WJ4B				COVER
1-3	HDECQB767WJ4A				R/C LED DECORATION
1-4	HINDPE883WJZZ				SHEET COVER
1-5	PSPAHC681WJ00				HIMELON 12 x 12 x 0.7, x3
2	CCABBC163WJ41	BR			REAR CABINET ASSEMBLY (I/M/N/Z)
2	CCABBC163WJ42	BR			REAR CABINET ASSEMBLY (X)
2-1	GCABBC163WJ4A				REAR CABINET
2-2	HINDPE350WJ4A				TERMINAL LABEL RIGHT
2-3	HINDPE364WJ4A				TERMINAL LABEL LEFT
2-4	LHLDWA318WJKZ	AD			AC CORD HOLDER, x2
2-5	HINDPE737WJZZ	AE			COUTION LABEL (X)
2-6	LHLDZB705WJZZ	AB			TENT BOSHI CLAMP, x2 (X)
2-7	XEBS840P14000	AC			SCREW FOR CLAMP, x2 (X)
3	CANGKD484WJ41	AF			VESA ANGLE ASSEMBLY, x4
3-1	LANGKD484WJ4W				VESA ANGLE
3-2	NSFYZA471WJF7				SEL SPACER
4	GCOVAE320WJ4A	AH			BOTTOM COVER, x2
5	CCOVAE060WE01	AU			CONTROL BUTTON ASSEMBLY
5-1	GCOVAE060WJ4A	AF			CONTROL BUTTON COVER
5-2	JBTN-A977WJ4A	AE			CONTROL BUTTON
5-3	XEBS830P08000	AA			SCREW FOR BUTTON, x2
6	CANGKD611WJ41	AL			STAND FIX ANGLE ASSEMBLY, x2
6-1	LANGKD611WJ4W				STAND FIX ANGLE
6-2	PSPAHC502WJ4Z	AB			HIMELON 25x7x0.55, x2
7	GCOVAE205WJ4A	AD			SIDE AV COVER
8	GCOVAE474WJ4A	AE			AC CORD COVER
9	LHLDWA124WJKZ	AC			WIRE HOLDER
10	LX-BZA170WJF8	AC			SCREW FOR VESA ANGLE, x4
11	LX-BZA207WJF7	AA			SCREW FOR MAIN PWB, x10
12	LX-BZA330WJF8	AB			SCREW, x3
13	LX-BZA473WJN1	AC			PLASTIC SCREW, x2
14	NSFTZA280WJFW	AB			HEX SCREW, x2
15	NSFTZA281WJFW	AC			HEX SCREW, x2
16	NSFTZA459WJF7	AC			TRAY SHAFT, x6
17	PSPANAA044WJKZ	AB			POWER PWB SPACER, x7
18	PSPAZC897WJKZ	AN			MAIN PWB SPACER 25x25x7
19	PZETKA595WJ4Z	AE			BARRIER SHEET
20	TLABME640WJZZ	AD			MODEL LABEL (I/M/Z)
20	TLABME642WJZZ	AD			MODEL LABEL (N)
20	TLABME650WJZZ	AD			MODEL LABEL (X)
21	XBPS830P06WS0	AA			SCREW FOR MATEL, x45
22	XEBS830P10000	AE			SCREW FOR TERMINAL
23	XEBS830P12000	AA			SCREW FOR CAB-B, x10
24	HINDPD955WJ4A	AD			REGULATION LABEL (I)
26	PSPAZC777WJZZ	AK			SPACER, x2 (X)
28	TLABZD573WJZZ	AF			ENERGY RATING LABEL (X)
[8] LCD PANEL					
1	RILK600D3GV0DF	CZ			LCD PANEL
2	LX-BZA207WJF7	AA			SCREW TCON PWB, x6
3	PSPAZC854WJKZ	AK			TCON CPU COOLER
4	PSPAZC897WJKZ	AN			MAIN CPU COOLER

[9] SUPPLIED ACCESSORIES

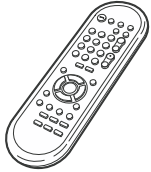
SUPPLIED ACCESSORIES

X1 Remote control unit

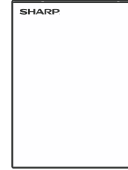
"AA" size battery (x 2)

X3 Operation manual

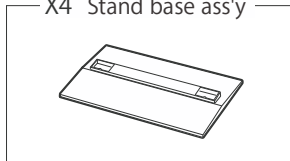
LC-60LE631M-WH



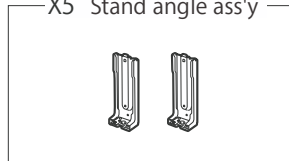
LC-60LE631X-WH



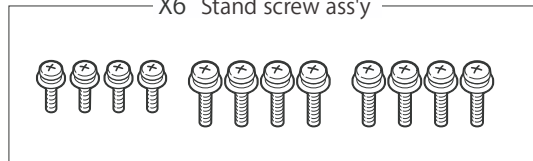
X4 Stand base ass'y



X5 Stand angle ass'y

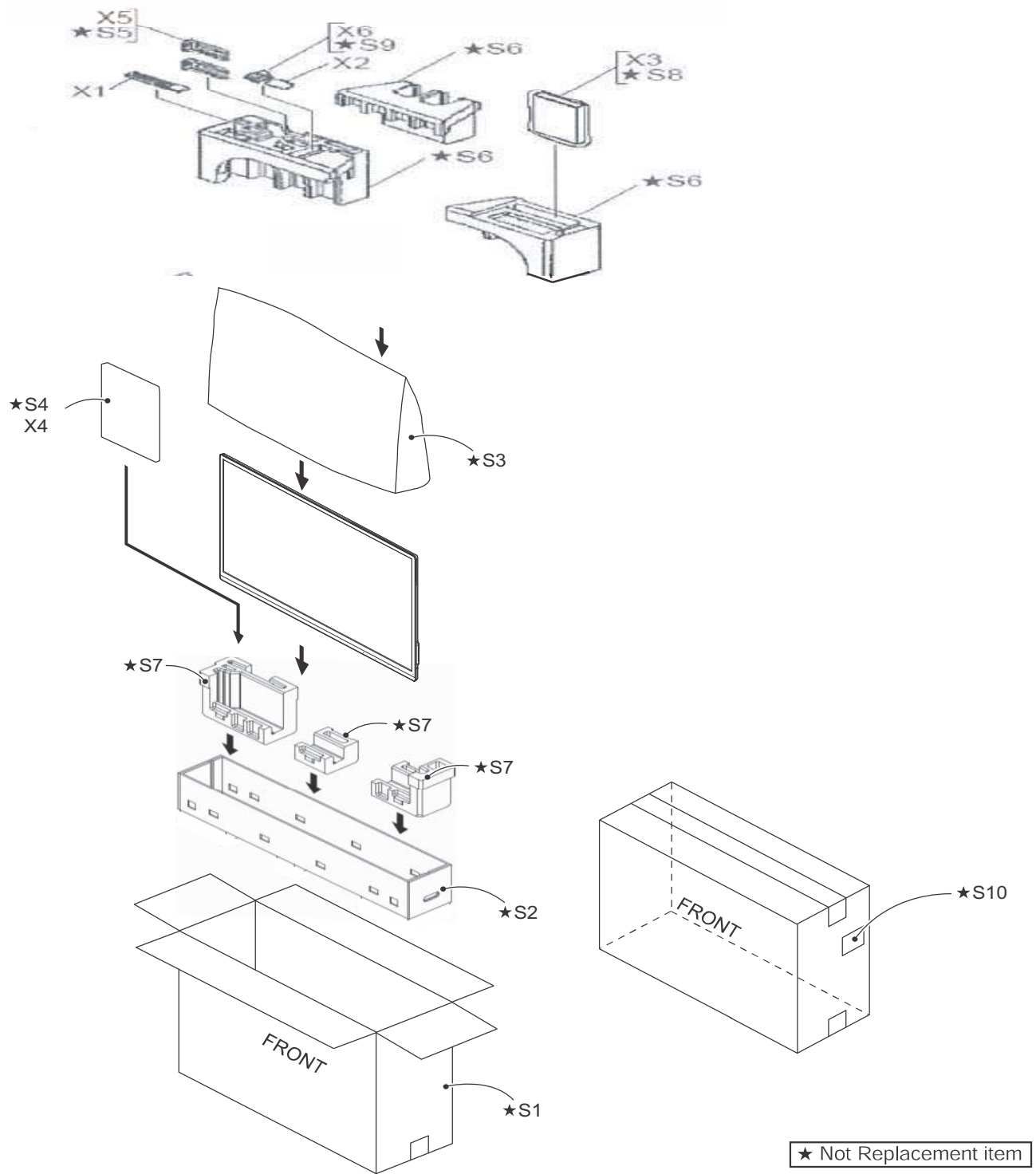


X6 Stand screw ass'y



NO.	PARTS CODE	PRICE RANK	NEW MARK	PART RANK	DESCRIPTION
[9] SUPPLIED ACCESSORIES					
x1	RRMCGA970WJSA	AQ			Remote Contol (I/M/N/Z)
x1	RRMCGA971WJSA	AQ			Remote Contol (X)
x2	UBATUA039WJZZ	AD			AA Size Battery (I/M/N/Z)
x2	UBATAA023WJZZ	AE			AA Size Battery (X)
x3	TINS-F659WJZZ	AQ			Operation Manual (N/Z)
x3	TINS-F665WJZZ				Operation Manual (X)
x3	TINS-F663WJZZ	AK			Operation Manual (I)
x3	TINS-F660WJZZ	AQ			Operation Manual (M)
x4	CDAI-A778WJ28	BD			STAND BASE ASSEMBLY
x5	CANGKD276WJ03	AQ			STAND ANGLE ASSEMBLY, x2
x6	CSAKHA050WE05	AL			PACK FOR SCREW

[10] PACKING PARTS (NOT REPLACEMENT ITEM)



NO.	PARTS CODE	PRICE RANK	NEW MARK	PART RANK	DESCRIPTION
[10] PACKING PARTS (NOT REPLACEMENT ITEM)					
S1	SPAKCH098WJZZ	-			PACKING CASE (M/N/Z)
S1	SPAKCH099WJZZ	-			PACKING CASE (I)
S1	SPAKCH120WJZZ				PACKING CASE (X)
S2	SPAKCG898WJZZ	-			BOTTOM CASE
S3	SPAKPB596WJZZ	-			HOSO PP
S4	SPAKPB722WJZZ	-			STAND MIRROR MAT BASE
S5	SPAKPB723WJZZ	-			STAND MAT SUPPORT
S6	SPAKXD752WJZZ	-			PACKING FOAM TOP
S7	SPAKXD753WJZZ	-			PACKING FOAM BOTTOM
S8	SSAKA0005PEZZ	-			SACK FOR MANUAL
S9	SSAKHA050WJZZ	-			SACK FOR SCREW
S10	TLABV0182AJZZ	-			NO CARD
[11] SERVICE JIGS (USE FOR SERVICING)					
N	QCNW-C222WJQZ	AW		V	L=1000mm 80pin LCD Control to LCD Panel, x2
N	QCNW-F676WJQZ	BH		V	L=1000mm 41pin Main to LCD Control (LW)
N	QCNW-G405WJQZ	AP		V	L=1000mm 4pin Main to LCD Control (PL)
N	QCNW-N125WJPZ	BC		V	L=1000mm 24pin Main TO Power (PD)