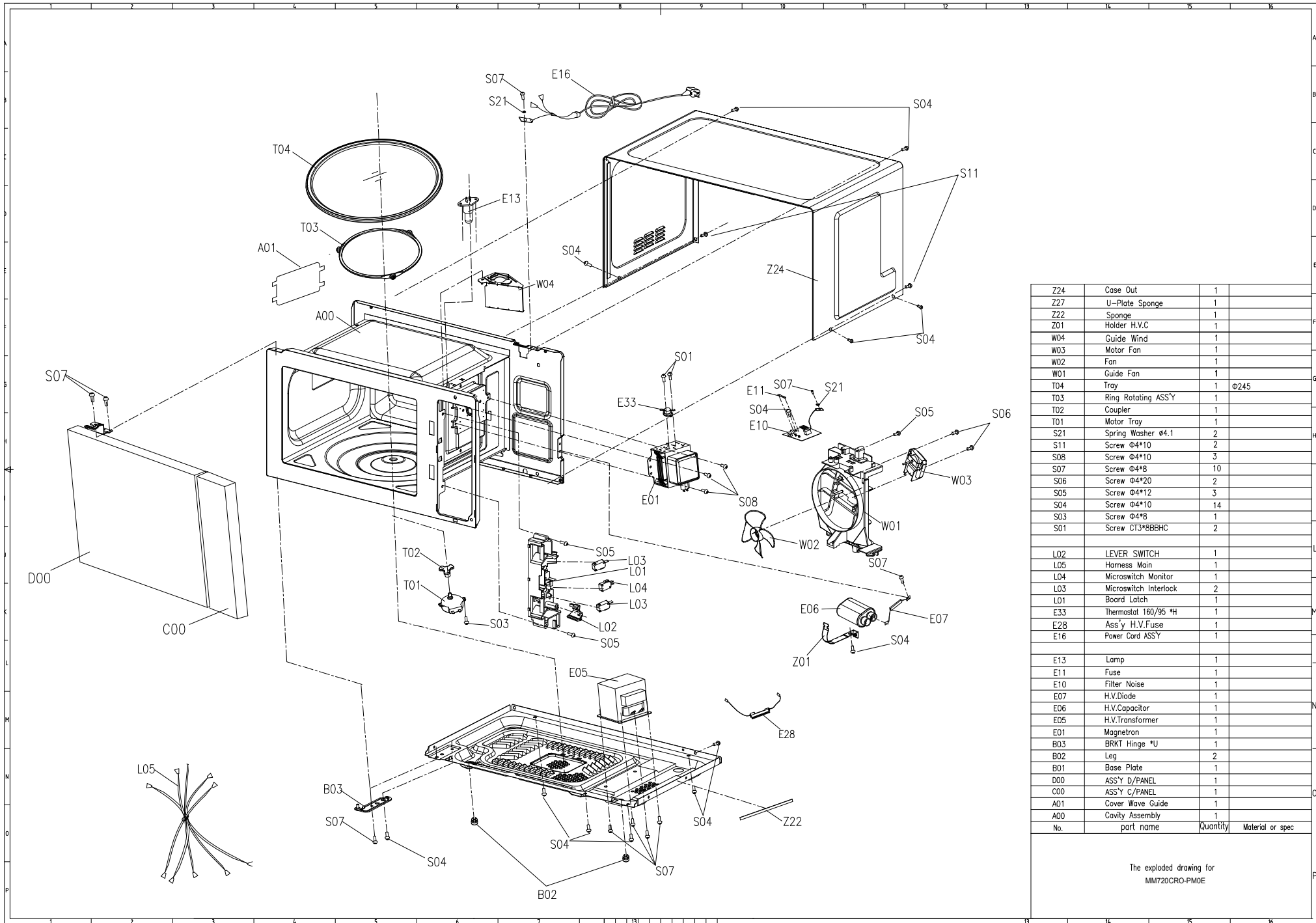


S25	螺钉ST4*36PBHC	SCREW 4*36	2		
D16	把手盖	HANDLE SUPPORT	1		
D14	把手	HANDLE	1		
D08	门衬	DOOR GASKET	1		
D07	门扉	DOOR PANEL	1		
D06	门帘	DOOR SCREEN	1	S02	螺钉ST3*8PBHC
D05	门膜	DOOR INNER FILM	1	E20	螺钉 ST3*8PBHC
D04	上铰链	UPPER HINGE	1		
D03	门钩弹簧	SPRING LATCH	1	C12	定时器旋钮
D02	门钩	LATCH	1	C11	功率旋钮
D01	门框零件	DOOR FRAME ASS'Y	1	C01	控制面板
D00	门	DOOR	1	C00	控制面板零件
	零件名称	Part Name	Qty. No.	零件名称	Part Name

产品型号
Model MG720CJ9

tian yun20141220



Z24	Case Out	1	
Z27	U-Plate Sponge	1	
Z22	Sponge	1	
Z01	Holder H.V.C	1	
W04	Guide Wind	1	
W03	Motor Fan	1	
W02	Fan	1	
W01	Guide Fan	1	
T04	Tray	1	Φ245
T03	Ring Rotating ASS'Y	1	
T02	Coupler	1	
T01	Motor Tray	1	
S21	Spring Washer Φ4.1	2	
S11	Screw Φ4*10	2	
S08	Screw Φ4*10	3	
S07	Screw Φ4*8	10	
S06	Screw Φ4*20	2	
S05	Screw Φ4*12	3	
S04	Screw Φ4*10	14	
S03	Screw Φ4*8	1	
S01	Screw CT3*8BBHC	2	
L02	LEVER SWITCH	1	
L05	Harness Main	1	
L04	Microswitch Monitor	1	
L03	Microswitch Interlock	2	
L01	Board Latch	1	
E33	Thermostat 160/95 *H	1	
E28	Ass'y H.V.Fuse	1	
E16	Power Cord ASS'Y	1	
E13	Lamp	1	
E11	Fuse	1	
E10	Filter Noise	1	
E07	H.V.Diode	1	
E06	H.V.Capacitor	1	
E05	H.V.Transformer	1	
E01	Magnetron	1	
B03	BRKT Hinge *U	1	
B02	Leg	2	
B01	Base Plate	1	
D00	ASS'Y D/PANEL	1	
C00	ASS'Y C/PANEL	1	
A01	Cover Wave Guide	1	
A00	Cavity Assembly	1	
No.	part name	Quantity	Material or spec

The exploded drawing for
MM720CRO-PM0E