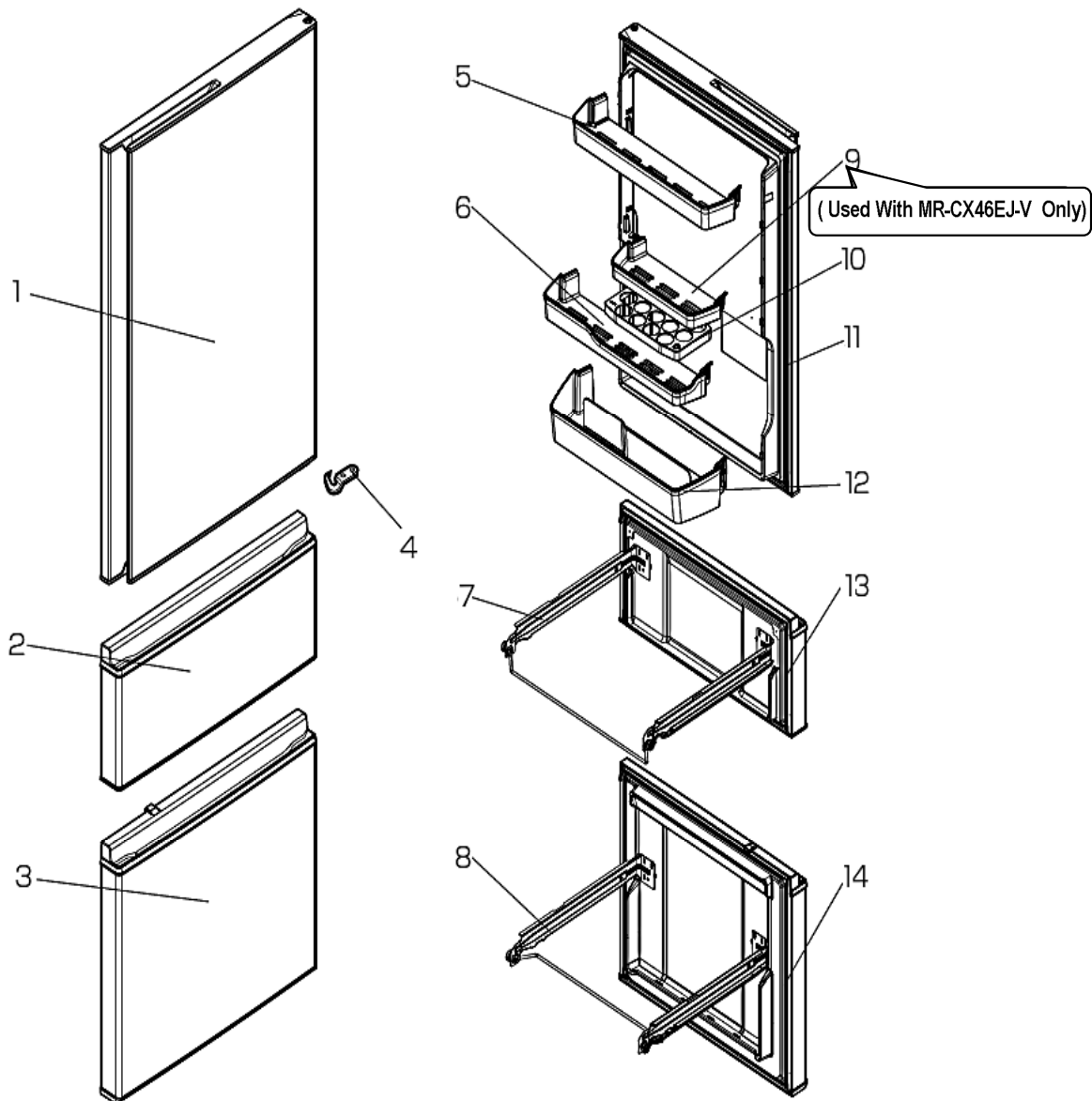


## DOOR, BODY PARTS

MR-CX41EJ-V

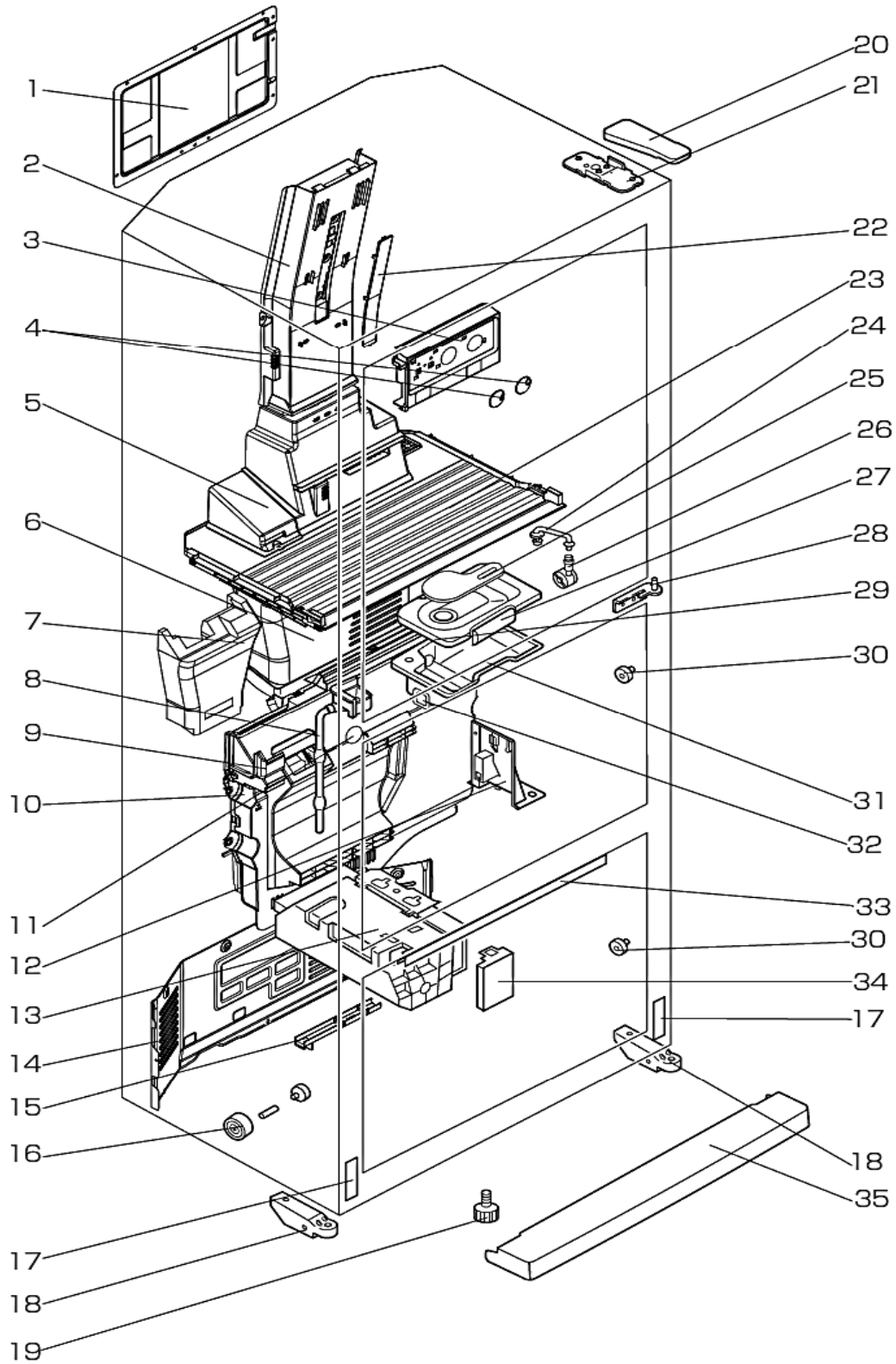
MR-CX46EJ-V



**BODY PARTS**

**MR-CX41EJ-V**

**MR-CX46EJ-V**



**BODY PARTS**

NO.	PART NO.	RoHS	PART NAMES	SPEC	Q'TY/UNIT			
					MR-CX41EJ-V		MR-CX46EJ-V	
					PS	BRW	PS	BRW
1	KIEZ87326	<G>	ELECT COVER ASSY		1	1	1	1
2	KIEZ88858	<G>	CONTROL PANEL ASSY	Include all of electrical part and plastic part.	1	1		
	KIEZ90858	<G>		Include all of electrical part and plastic part.			1	1
3	KIEZ87190	<G>	TEMP CONTROL COVER		1	1	1	1
4	KIEZ87305	<G>	THERMO DIAL		2	2	2	2
5	KIEZ87807	<G>	CONNECTOR BOX		1	1	1	1
6	KIEZ87818	<G>	DUCT V ASSY		1	1	1	1
7	KIEZ87802	<G>	COVER DUCT V		1	1	1	1
8	KIEP89503	<G>	WATER TRAY ASSY		1	1	1	1
9	KIEZ87808	<G>	CONNECTOR COVER (FG)		1	1	1	1
10	KIEZ88663	<G>	FAN GRILLE ASSY	Include all of electrical part and plastic part.	1	1	1	1
11	KIEWV6708	<G>	LABEL FC		1		1	
	KIEP90708	<G>				1		1
12	KIEZ87442	<G>	PIPE COVER		1	1	1	1
13	KIEPE2350	<G>	AUTO ICE MAKER		1	1	1	1
14	KIEZ87652	<G>	COMP COVER ASSY		1	1	1	1
15	KIEZ87809	<G>	LEAD COVER VF	Lead wire cover locate at between divider VF and auto ice maker.	1	1	1	1
16	KIE805794	<G>	CASTER SET		2	2	2	2
17	KIEHJ3709	<G>	SCREW LABEL (F)		2	2	2	2
18	KIEZ87795	<G>	CASTER ASSY		2	2	2	2
19	KIEZ87460	<G>	ADJUST FOOT		2	2	2	2
20	KIEZ87705	<G>	HINGE COVER		1		1	
	KIEZE2705	<G>				1		1
21	KIEZ87701	<G>	HINGE ASSY (UP)		1	1	1	1
22	KIEZ87470	<G>	LAMP COVER		1	1	1	1
23	KIEZ87811	<G>	PARTITION ( C )		1	1	1	1
24	KIEHJ4503	<G>	JOINT PIPE (TANK)		1	1	1	1
25	KIEHJ3531	<G>	WATER TANK CAP		1	1	1	1
26	KIEHJ3519	<G>	WATER PUMP		1	1	1	1
27	KIEK96527	<G>	WATER TANK COVER ASSY		1	1	1	1
28	KIEZ87702	<G>	HINGE ASSY (LOW)		1	1	1	1
29	KIEHJ3965	<G>	PACKING (TANK)		1	1	1	1
30	KIEHJ3798	<G>	ROLLER		4	4	4	4
31	KIEHJ3520	<G>	WATER TANK		1	1	1	1
32	KIEHJ3526	<G>	FILTER (TANK)		1	1	1	1
33	KIEPE2965	<G>	PACKING F		1	1	1	1
34	KIEHJ4442	<G>	COVER (IM)		1	1	1	1
35	KIEZ87730	<G>	KICK PLATE		1		1	
	KIEZE2730	<G>				1		1
③⑥	KIEZ87858	<G>	CONTROL PANEL	Plastic part only.	1	1		
	KIEZ89858	<G>		Plastic part only.			1	1
③⑦	KIEZ87663	<G>	FAN GRILLE	Install inside F-room (Front side of large plastic part at fan grille	1	1	1	1
③⑧	KIEZ88662	<G>	BELL MOUTH	Install inside F-room (Back side of large plastic part at fan grille	1	1	1	1
③⑨	KIEZ87327	<G>	ELECT ATTACH	Plastic part only(Used for attach with refcon assy.)	1	1	1	1

RECOMMEND PART NO. 10,25,27

ABBREVIATION

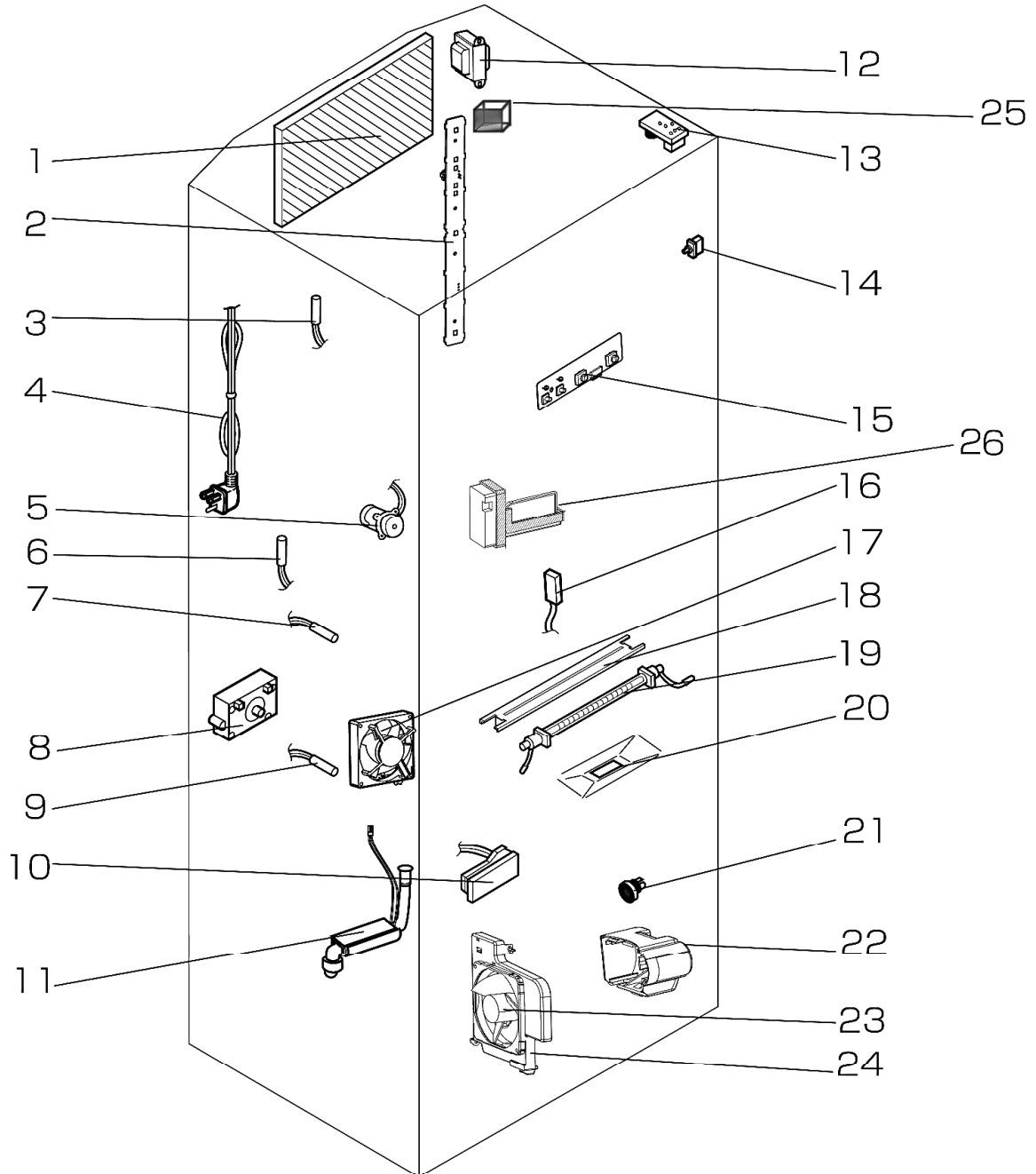
F	FREEZER ROOM	IM	ICE MAKER
R	REFRIGERATOR ROOM	V	VEGETABLE ROOM

ENCIRCLED PART NUMBER ARE NOT SHOWN IN THE FIGURES.

ELECTRICAL PARTS

MR-CX41EJ-V

MR-CX46EJ-V



**ELECTRICIAL PARTS**

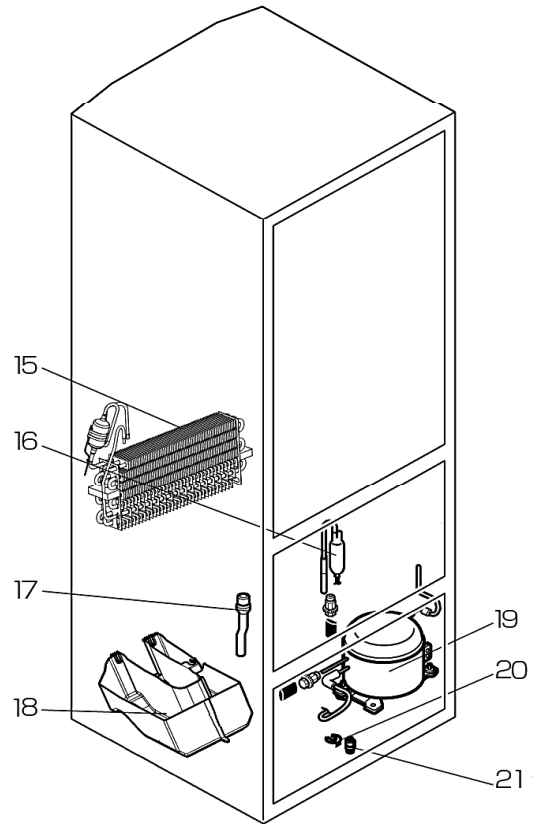
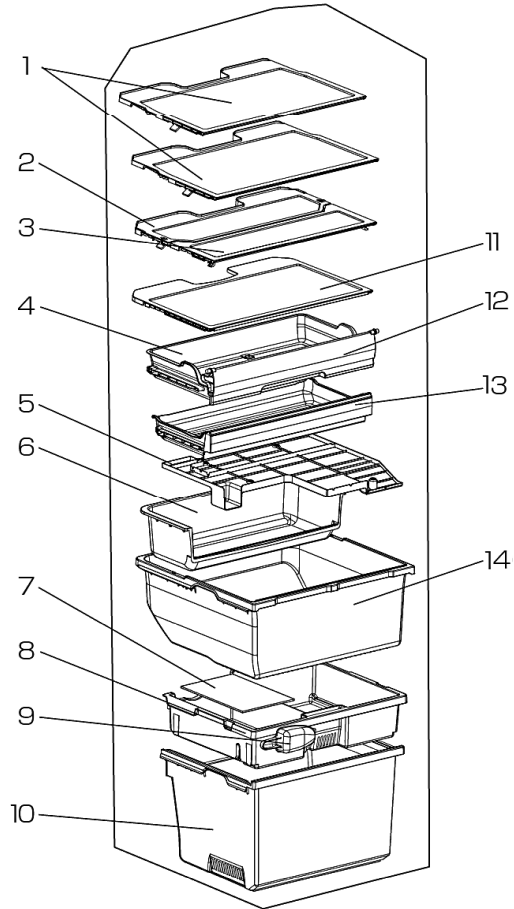
NO.	PART NO.	RoHS	PART NAMES	SPEC	Q'TY/UNIT			
					MR-CX41EJ-V		MR-CX46EJ-V	
					PS	BRW	PS	BRW
1	KIEZE1339	<G>	REFCON ASSY		1	1		
	KIEZE3339	<G>					1	1
2	KIEW73360	<G>	LED LIGHT BOARD ASSY		1	1	1	1
3	KIEHJ3313	<G>	THERMISTOR (R)		1	1	1	1
4	KIEZE1354	<G>	PLUG CORD ASSY		1	1	1	1
5	KIEZ87365	<G>	WATER PUMP MOTOR		1	1	1	1
6	KIEP89312	<G>	THERMISTOR (DEF)		1	1	1	1
7	KIEHJ3378	<G>	THERMISTOR (F)		1	1	1	1
8	KIEHJ3469	<G>	GEAR BOX (IM)		1	1	1	1
9	KIEHJ3316	<G>	THERMISTOR (I)		1	1	1	1
10	KIEZ87362	<G>	REED SWITCH		1	1	1	1
11	KIEZ87364	<G>	WATER PIPE ASSY		1	1	1	1
12	KIEZ87367	<G>	REACTOR		1	1	1	1
13	KIEV61374	<G>	BUZZER BOARD & THERMISTOR (A.T.)		1	1	1	1
14	KIEMQ4363	<G>	LAMP SWITCH (R)		1	1	1	1
15	KIEZ87382	<G>	TEMP CONTROL BOARD		1	1	1	1
16	KIEZ87336	<G>	THERMAL FUSE ASSY		1	1	1	1
17	KIEZ87320	<G>	FAN MOTOR ASSY		1	1	1	1
18	KIEZ87537	<G>	HEATER ROOF		1	1	1	1
19	KIEZ87392	<G>	DEFROST HEATER	240V 155W	1	1	1	1
20	KIEZ87538	<G>	DRIP TRAY		1	1	1	1
21	KIEWD0340	<G>	MOTOR PROTECTOR	MM3-71CCY	1	1	1	1
22	KIEWD0341	<G>	PROTECTOR COVER		1	1	1	1
23	KIEP89325	<G>	OUT FAN MOTOR ASSY	4715JL04WS16G51	1	1	1	1
24	KIEZ87662	<G>	BELL MOUTH M ASSY		1	1	1	1
25	KIEZ91399	<G>	FILTER		1	1	1	1
26	KIEHJ4682	<G>	DUCT DAMPER		1	1	1	1
②7	KIEZ87379	<G>	VITAMIN UP	Locate at between divider RV and vegetable case cover.	1	1	1	1

RECOMMEND PART NO. 1,3, 4, 6, 7, 9, 14, 16, 17, 19, 21, 23, 26

**ACCESSORY AND UNIT PARTS**

**MR-CX41EJ-V**

**MR-CX46EJ-V**



**ACCESSORY AND UNIT PARTS**

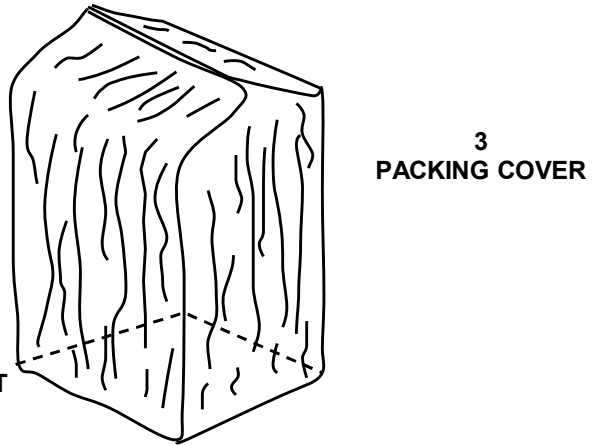
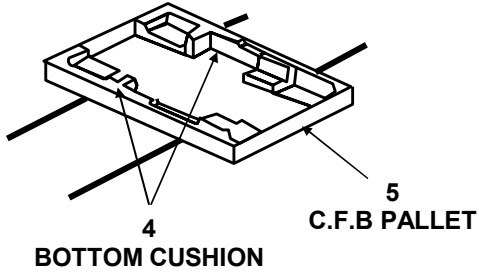
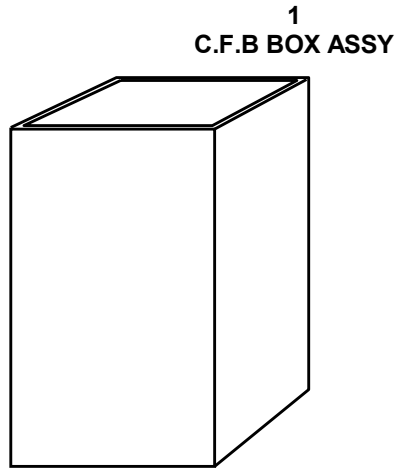
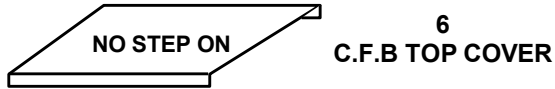
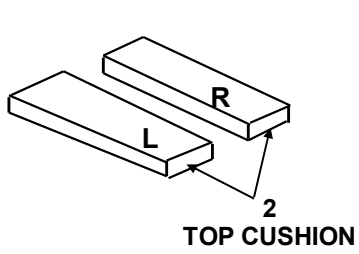
NO.	PART NO.	RoHS	PART NAMES	SPEC	Q'TY/UNIT			
					MR-CX41EJ-V		MR-CX46EJ-V	
					PS	BRW	PS	BRW
1	KIEZ87420	<G>	GLASS SHELF R ASSY		1	1	2	2
2	KIEZ87427	<G>	GLASS SHELF REAR ASSY		1	1	1	1
3	KIEZ87428	<G>	GLASS SHELF FRONT ASSY		1	1	1	1
4	KIEZ87413	<G>	SLIDE CHILLED CASE (UP)		1	1	1	1
5	KIEZ87409	<G>	VEGETABLE CASE COVER		1	1	1	1
6	KIEZ87406	<G>	FRUIT CASE		1	1	1	1
7	KIEP89468	<G>	ICE BOX SHEET		1	1	1	1
8	KIEZ87474	<G>	FREEZING CASE (UP)		1	1	1	1
9	KIEHJ3477	<G>	ICE SPOON		1	1	1	1
10	KIEZ87475	<G>	F CASE (LOW)		1	1	1	1
11	KIEZ87479	<G>	GLASS TOP PLATE ASSY		1	1	1	1
12	KIEZ87418	<G>	CHILLED CASE DOOR		1	1	1	1
13	KIEZ88413	<G>	SLIDE CHILLED CASE (LOW)		1	1	1	1
14	KIEZ87405	<G>	VEGETABLE CASE		1	1	1	1
15	KIEZ87995	<G>	EVAPORATOR		1	1	1	1
16	KIEZ87980	<G>	DRYER PIPE SET		1	1	1	1
17	KIEZ87504	<G>	ELBOW		1	1	1	1
18	KIEZ87435	<G>	DRAIN PAN		1	1	1	1
19	KIEZE1277	<G>	COMPRESSOR		1	1	1	1
20	KIE902735	<G>	U WASHER		4	4	4	4
21	KIEHJ3797	<G>	RUBBER MOUNT		4	4	4	4

RECOMMEND PART NO. 1, 2, 3, 4, 13, 16, 19

**PACKING PARTS**

**MR-CX41EJ-V**

**MR-CX46EJ-V**





**PACKING PARTS**

NO.	PART NO.	RoHS	PART NAMES	SPEC	Q'TY/UNIT			
					MR-CX41EJ-V		MR-CX46EJ-V	
					PS	BRW	PS	BRW
1	KIEZE1970	<G>	C.F.B BOX ASSY		1			
	KIEZE2970	<G>				1		
	KIEZE3970	<G>					1	
	KIEZE4970	<G>						1
2	KIEZ87979	<G>	TOP CUSHION		1	1	1	1
3	KIEHN8973	<G>	PACKING COVER		1	1		
	KIEHJ3973	<G>					1	1
4	KIEZ87978	<G>	BOTTOM CUSHION		1	1	1	1
5	KIEZ87974	<G>	C.F.B PALLET ASSY		1	1	1	1
6	KIEP89975	<G>	C.F.B TOP COVER		1	1	1	1