

SHARP PARTS LIST

MICROWAVE OVEN

HOW TO ORDER REPLACEMENT PARTS
 To have your order filled promptly and correctly, please furnish the following information.

1. MODEL NUMBER
2. REF. NO.
3. PART NO.
4. DESCRIPTION

MODELS R-20A1(S)VN R-21A1(S)VN

Parts marked "*" may cause undue microwave exposure.
 Parts marked "▲" are used in voltage more than 250V.

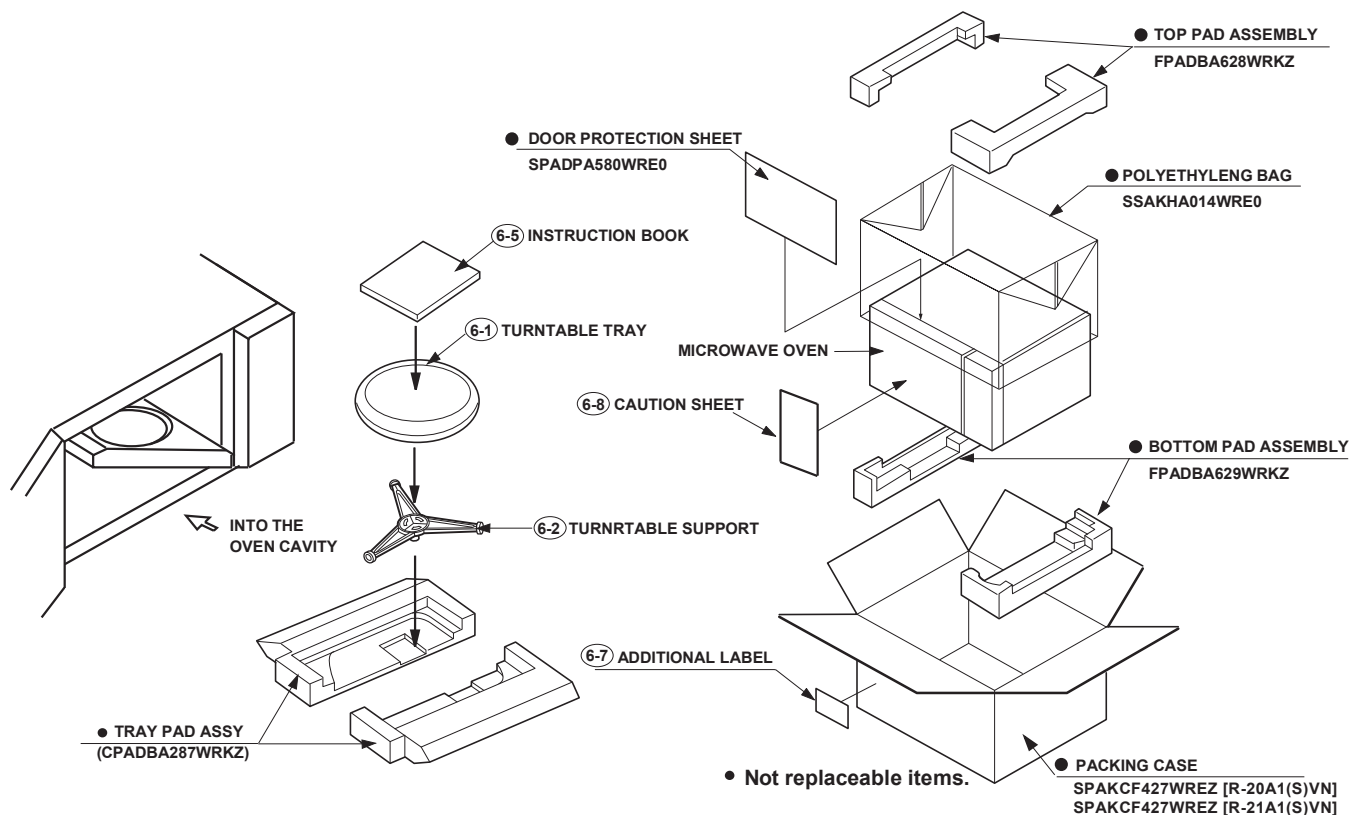
CONTENTS

[1] OVEN PARTS

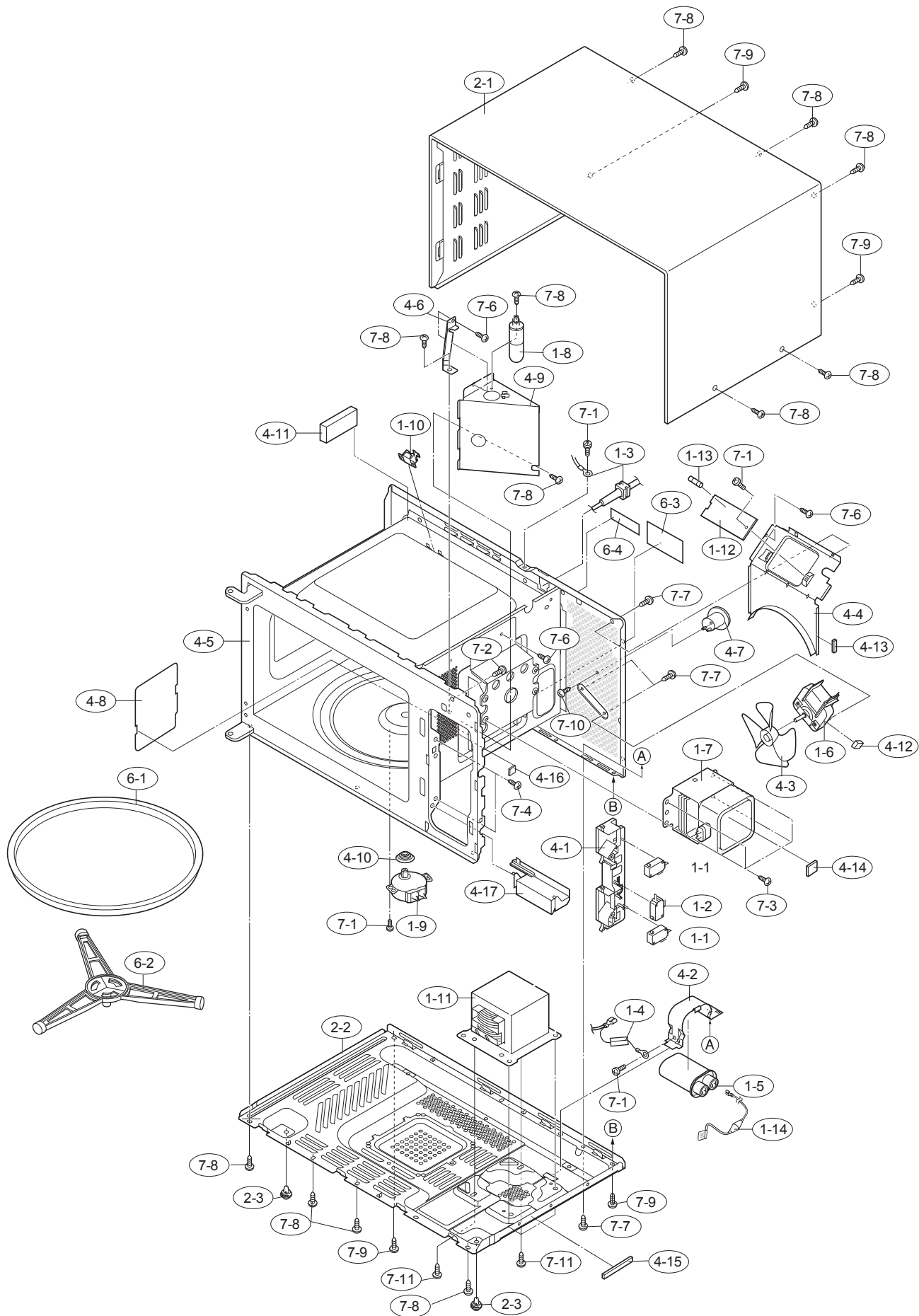
[2] DOOR AND CONTROL

PANEL PARTS

■ INDEX

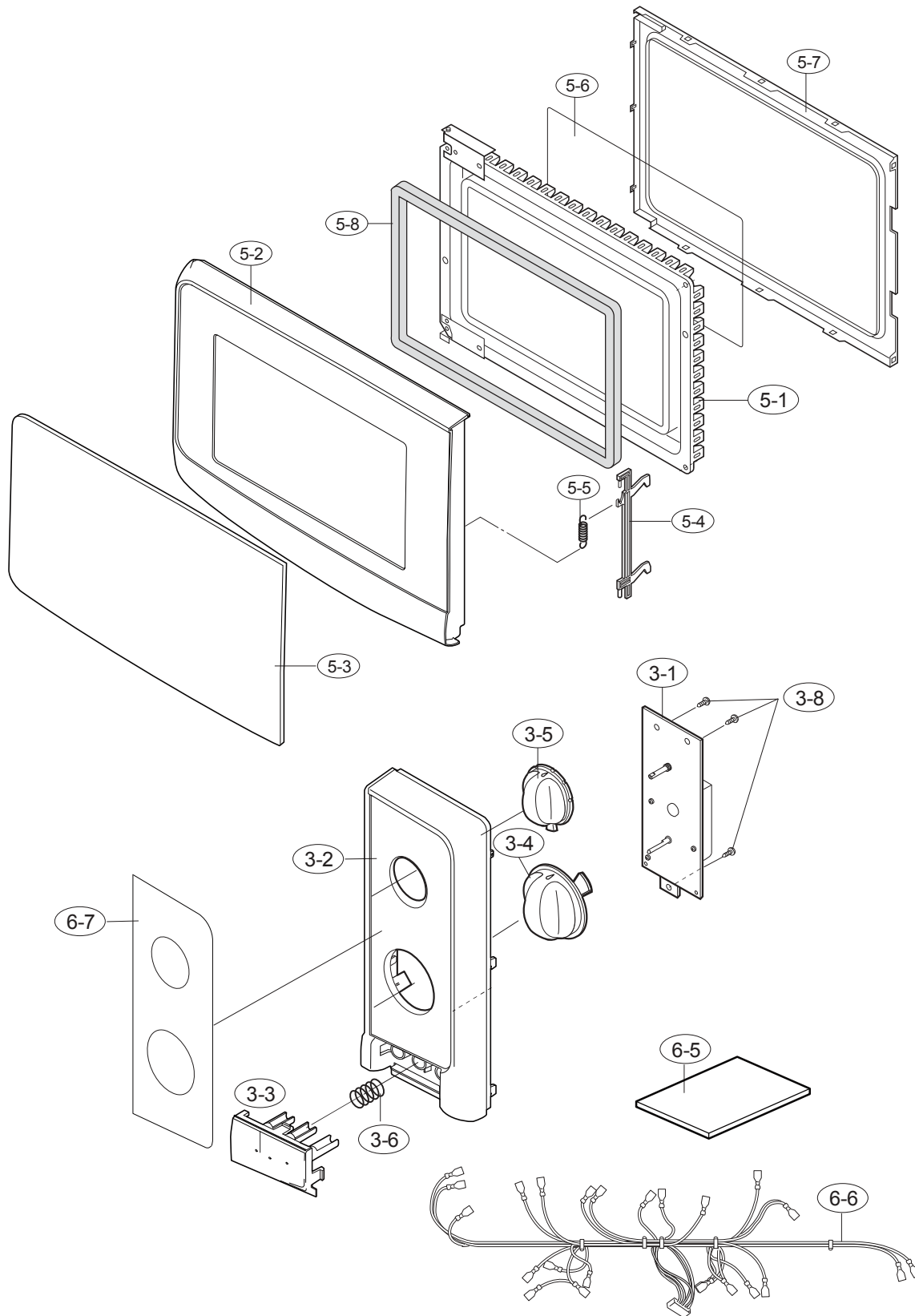


[1] OVEN PARTS



NO.	PARTS CODE	DESCRIPTION	PRICE RANK	
[1] OVEN PART				
ELECTRIC PARTS				
	1-1	QSW-MA085WRE0	Latch / Monitored latch switches	AF
	1-1	QSW-MA137WRE0	Latch / Monitored latch switches (Interchangeable)	AH
	1-1	QSW-MA147WRZZ	Latch / Monitored latch switches (Interchangeable)	AG
	1-1	QSW-MA168WRZZ	Latch / Monitored latch switches (Interchangeable)	AK
	1-2	QSW-MA086WRE0	Monitor switch	AF
	1-2	QSW-MA138WRE0	Monitor switch (Interchangeable)	AH
	1-2	QSW-MA148WRZZ	Monitor switch (Interchangeable)	AF
	1-2	QSW-MA169WRZZ	Monitor switch (Interchangeable)	AF
	1-3	QACC-A172WRZZ	Power supply cord	AS
△	1-4	FH-DZA163WRKZ	High voltage rectifier assy	AR
△	1-5	RC-QZA334WRZZ	High voltage capacitor	AS
△	1-5	RC-QZA210WRE0	High voltage capacitor (Interchangeable)	AX
△	1-5	RC-QZA211WRE0	High voltage capacitor (Interchangeable)	AV
△	1-5	RC-QZA251WRE1	High voltage capacitor (Interchangeable)	AR
△	1-5	RC-QZA251WRE2	High voltage capacitor (Interchangeable)	AR
△	1-5	RC-QZA331WRZZ	High voltage capacitor (Interchangeable)	AS
△	1-5	RC-QZA342WRZZ	High voltage capacitor (Interchangeable)	AS
	1-6	RMOTEA405WRZZ	Fan motor	AX
	1-6	RMOTEA450WRZZ	Fan motor (Interchangeable)	AV
	1-6	RMOTEA460WRZZ	Fan motor (Interchangeable)	AX
	1-6	RMOTEA463WRZZ	Fan motor (Interchangeable)	AX
	1-6	RMOTEA475WRZZ	Fan motor (Interchangeable)	AX
△ *	1-7	RV-MZA351WRZZ	Magnetron	BM
△ *	1-7	RV-MZA341WRZZ	Magnetron (Interchangeable)	BG
	1-8	RLMPTA101WRZZ	Oven lamp	AM
	1-8	RLMPTA083WRZZ	Oven lamp (Interchangeable)	AM
	1-8	RLMPTA088WRZZ	Oven lamp (Interchangeable)	AN
	1-9	RMOTDA253WRZZ	Turntable motor	AN
	1-9	RMOTDA173WRE0	Turntable motor (Interchangeable)	AR
	1-9	RMOTDA289WRZZ	Turntable motor (Interchangeable)	AN
	1-9	RMOTDA299WRZZ	Turntable motor (Interchangeable)	AN
	1-10	QFS-TA014WRE0	Temperature fuse 150C (Oven)	AG
△	1-11	RTRN-A806WRZZ	High voltage transformer	BF
△	1-11	RTRN-A759WRZZ	High voltage transformer (Interchangeable)	BH
△	1-11	RTRN-A817WRZZ	High voltage transformer (Interchangeable)	BF
	1-12	FPWBFA422WRKZ	Fuse holder assembly	AU
	1-13	QFS-CA027WRZZ	Fuse T6.3A	AG
△	1-14	QFS-IA016WRZZ	High voltage fuse 0.6A	AN
△	1-14	QFS-IA004WRE0	High voltage fuse 0.6A (Interchangeable)	AK
CABINET PARTS				
	2-1	GCABUA966WRPZ	Outer case cabinet [R-20A1(S)VN]	BE
	2-1	GCABUB220WRPZ	Outer case cabinet	BC
	2-2	GDAI-A459WRWZ	Bottom plate	AF
	2-3	GLEGPA104WREZ	Foot	AF
OVENPARTS				
*	4-1	PHOK-A176WRFZ	Latch hook	AF
	4-2	LBNDKA168WRPZ2	Capacitor holder	AF
	4-3	NFANJA053WRFZ	Fan blade	AG
	4-4	PDUC-A908WRWZ2	Fan duct	AG
*	4-5	FOVN-A634WRTZ	Oven cavity	BC
	4-6	LANGFA267WRPZ2	Chassis support	AF
	4-7	PSPAJA007WRFZ	Spacer	AF
	4-8	PCOVPA419WREZ	Waveguide cover	AG
	4-9	PDUC-A909WRPZ	Air duct	AN
	4-10	PPACGA084WRF0	TTM packing	AE
	4-11	PCUSUA501WRP0	Cushion	AB
	4-12	PPACGA276WREZ	Cushion C	AG
	4-13	PCUSGA615WRPZ	Cushion	AE
	4-14	PCUSGA661WREZ	Cushion	AD
	4-15	PCUSUA278WRP0	Cushion	AB
	4-16	PCUSUA647WRPZ	Cushion	AC
	4-17	MLEVPA241WRFZ	Switch lever	AG
MISCELLANEOUS				
	6-1	NTNT-A034WRF0	Turntable	AM
	6-2	FROLPA113WRKZ	Turntable support	AS
	6-3	TCAUAA406WRRZ	CR Mark	AD
	6-4	TCAUAA419WRRZ	Caution label	AC
SCREWS,NUTS AND WASHERS				
	7-1	XHPS740P08K00	Screw : 4mm x 8mm	AB
	7-2	XETS740P10000	Screw : 4mm x 10mm	AA
	7-3	XHPS740P08000	Screw : 4mm x 8mm	AB
	7-4	LX-CZ0052WRE0	Special screw	AA
	7-6	LX-CZA073WRE0	Special screw	AC
	7-7	XHTS740P08RV0	Screw : 4mm x 8mm	AG
	7-8	XOTS740P08000	Screw : 4mm x 8mm	AA
	7-9	XOTS740P12RV0	Screw : 4mm x 12mm	AD
	7-10	XOTS740P12000	Screw : 4mm x 12mm	AA
	7-11	LX-BZA217WREZ	Screw : 4mm x 8mm	AD

[2] DOOR AND CONTROL PANEL PARTS



Actual wire harness may be different than illustration.

NO.	PARTS CODE	DESCRIPTION	PRICE RANK	
[2] DOOR AND CONTROL PANEL PARTS				
CONTROL PANEL PARTS				
3-1	QSWTEA134WRZZ	Timer	AV	
3-2	HPNLCC294WRTZ	Control panel	AR	
3-3	JBTN-B256WRTZ	Open button	AH	
3-4	JKNBKA859WRTZ	Timer knob	AK	
3-5	JKNBKA861WRTZ	Vari knob	AK	
3-6	MSPRCA050WRE0	Button spring	AB	
3-7	TLABMB468WRRZ	Panel sheet [R-20A1(S)VN]	AF	
3-7	TLABMB467WRRZ	Panel sheet [R-21A1(S)VN]	AF	
3-8	XEPS730P08XS0	Screw; 3mm x 10mm	AB	
DOOR PARTS				
*	5-1	FDORFA397WRTZ	Door panel assembly	BB
*	5-2	GWAKPB231WRTZ	Door frame	AX
	5-3	HPNL-A821WRRZ	Door screen	AR
*	5-4	LSTPPA205WRFZ	Latch head	AF
	5-5	MSPRTA187WRE0	Spring	AC
	5-6	PSHEPA782WREZ	Sealer film	AG
*	5-7	GCOVHA424WRFZ	Choke cover	AK
	5-8	PCUSUA622WRPZ	Cushion	AG
MISCELLANEOUS				
	6-5	TINSZA285WRRZ	Instruction book	AE
	6-6	FW-VZC307WREZ	Main wire harness	AR
	6-7	TCAUAA425WRRZ	Additional label [R-20A1(S)VN]	AD
	6-7	TCAUAA422WRRZ	Additional label [R-21A1(S)VN]	AD
	6-8	TINSJA378WRRZ	Caution Sheet	AC