

# SHARP PARTS LIST

## MICROWAVE OVEN

### HOW TO ORDER REPLACEMENT PARTS

To have your order filled promptly and correctly, please furnish the following information.

1. MODEL NUMBER
2. REF. NO.
3. PART NO.
4. DESCRIPTION

MODELS **R-678IN(W)**  
**R-678IN(S)**  
**R-678VN(W)**  
**R-678VN(S)**

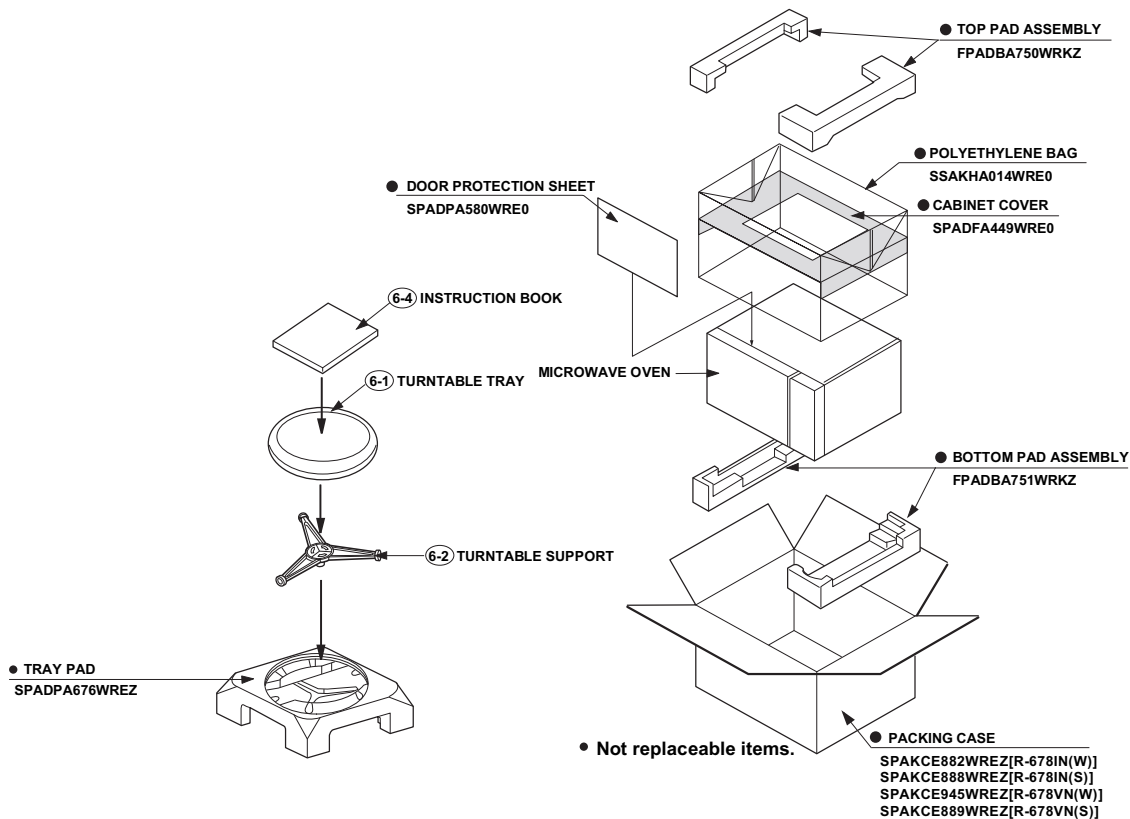
Parts marked "\*" may cause undue microwave exposure.  
 Parts marked "△" are used in voltage more than 250V.

### CONTENTS

[1] OVEN PARTS

■ INDEX

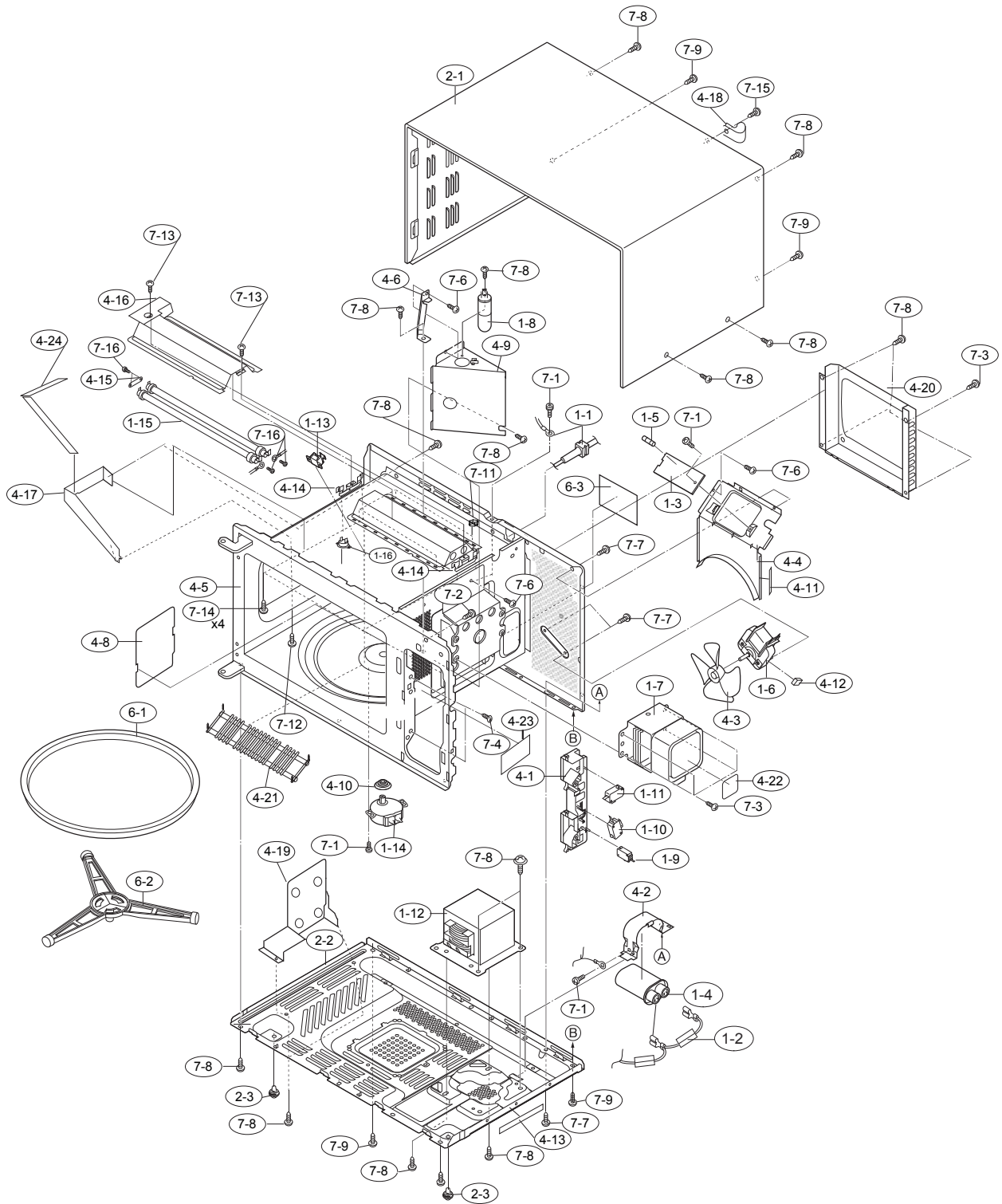
[2] DOOR AND CONTROL PANEL PARTS



SHARP CORPORATION

This document has been published to be used for after sales service only.  
 The contents are subject to change without notice.

# [1] OVEN PARTS

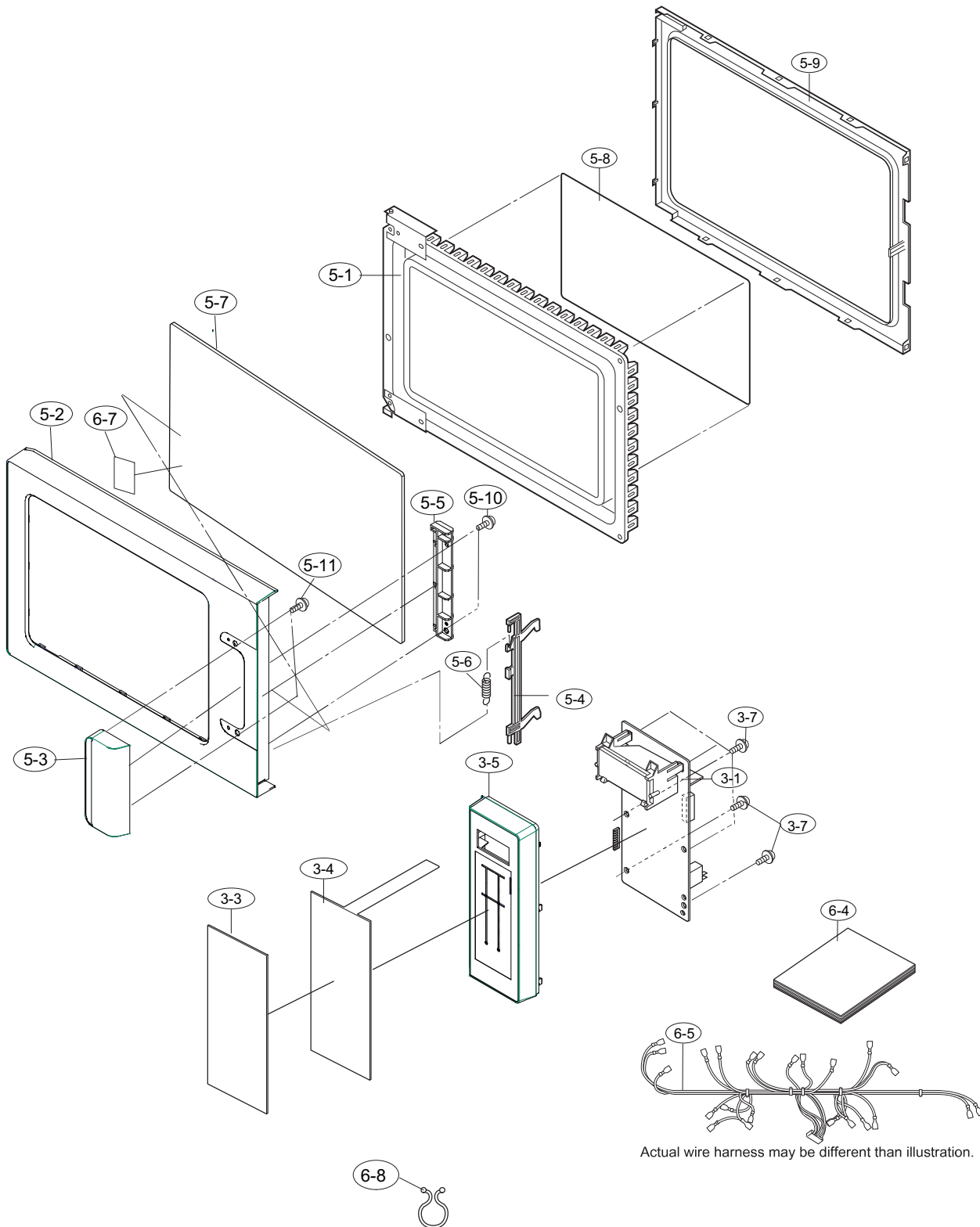


## PARTS LIST

NO.	PARTS CODE	DESCRIPTION	Q' TY	PRICE RANK
<b>[1] OVEN PARTS ELECTRIC PARTS</b>				
	1-1	QACC-A172WRZZ	Power supply cord	1 AX
△	1-2	FH-DZA135WRZZ	High voltage rectifier assy	1 AR
	1-3	FPWBF422WRKZ	Noise filter	1 AU
*△	1-4	RC-QZA341WRZZ	High voltage capacitor	1 AS
*△	1-4	RC-QZA238WRE2	High voltage capacitor(Interchangeable)	1 AR
△	1-5	QFS-CA027WRZZ	Fuse T6.3A	1 AG
	1-6	RMOTEA405WRZZ	Fan motor	1 AX
	1-7	RV-MZA351WRZZ	Magnetron	1 BM
	1-8	RLMPTA101WRZZ	Oven lamp	1 AM
	1-8	RLMPTA088WRZZ	Oven lamp (Interchangeable)	1 AN
	1-8	RLMPTA083WRZZ	Oven lamp (Interchangeable)	1 AM
	1-9	QSW-MA085WRE0	1st. Latch switch	1 AF
	1-10	QSW-MA086WRE0	Monitor switch	1 AF
	1-10	QSW-MA138WRE0	Monitor switch (Interchangable)	1 AH
	1-10	QSW-MA148WRZZ	Monitor switch (Interchangable)	1 AF
	1-11	QSW-MA087WRE0	2nd. Interlock relay control switch	1 AF
△	1-12	RTRN-A789WRZZ	High voltage transformer	1 BG
	1-13	QFS-TA014WRE0	Temperature fuse 150C (Oven)	1 AG
	1-14	RMOTDA289WRZZ	Turntable motor	1 AQ
	1-14	RMOTDA253WRZZ	Turntable motor (Interchangeable)	1 AV
	1-14	RMOTDA173WRE0	Turntable motor (Interchangeable)	1 AX
	1-14	RMOTDA265WRZZ	Turntable motor (Interchangeable)	1 AS
	1-15	RHET-A397WRZZ	Grill heating element	2 AP
	1-16	RTHM-A162WRZZ	Thermostat	1 AK
<b>CABINET PARTS</b>				
	2-1	GCABUA958WRPZ	Outer case cabinet [R-678IN(W)] [R-678VN(W)]	1 BE
	2-1	GCABUA966WRPZ	Outer case cabinet [R-678VN(S)] [R-678IN(S)]	1 BE
	2-2	GDAI-A456WRZZ	Bottom plate	1 AS
	2-3	GLEGPA104WREZ	Legs	2 AF
<b>OVEN PARTS</b>				
*	4-1	PHOK-A146WRFZ	Latch hook	1 AG
	4-2	LBNDKA168WRPZ2	Capacitor holder	1 AF
	4-3	NFANJA053WRFZ	Fan blade	1 AG
	4-4	PDUC-A908WRZZ	Fan duct	1 AG
*	4-5	DOVN-A734WRKZ	Oven cavity	1 BF
	4-6	LANGFA267WRPZ2	Chassis support	1 AF
	4-8	PCOVPA419WREZ	Waveguide cover	1 AG
	4-9	PDUC-A909WRPZ	Air duct	1 AN
	4-10	PPACGA176WREZ	TTM packing	1 AC
	4-11	PCUSGA615WRPZ	Cushion	1 AE
	4-12	PPACGA276WREZ	Cushion	1 AG
	4-13	PCUSUA278WRP0	MG Cushion	1 AB
	4-14	LANGQA795WRPZ	Grill heater angle	2 AG
	4-15	QTANNA026WRWZ	Earth plate	1 AC
	4-16	FDUC-A501WRWZ	Grill insulation	1 AK
	4-17	PSKR-A497WRPZ	Separator angle	1 AG
	4-18	LHLDKA008WRF1	P-clip	1 AF
	4-19	FDUC-A496WRYZ	Exhaust duct assy	1 AK
	4-20	FDUC-A497WRWZ	Rear duct assy	1 AQ
	4-21	MROD-A026WREZ	Grill protector	1 AV
	4-22	PCUSGA661WREZ	Cushion	1 AD
	4-23	PCUSUA647WRPZ	Cushion	1 AC
	4-24	PCUSUA659WRPZ	Cushion	1 AC
<b>MISCELLANEOUS</b>				
	6-1	NTNT-A034WRF0	Turntable	1 AM
	6-2	FROLPA123WRKZ	Turntable support	1 AP
	6-3	TCAUHA214WRR0	caution label	1 AC

NO.	PARTS CODE	DESCRIPTION	Q'TY	PRICE RANK
<b>SCREWS, NUTS AND WASHERS</b>				
7-1	XHPS740P08K00	Screw : 4mm x 8mm	1	AB
7-2	XETS740P10000	Screw : 4mm x 10mm	2	AA
7-3	XHPS740P08000	Screw : 4mm x 8mm	5	AB
7-4	LX-CZ0052WRE0	Special screw	2	AA
7-6	LX-CZA073WRE0	Special screw	3	AC
7-7	XHTS740P08RV0	Screw : 4mm x 8mm	4	AG
7-8	XOTS740P08000	Screw : 4mm x 8mm	21	AA
7-9	XOTS740P12RV0	Screw : 4mm x 12mm	4	AD
7-11	XNES730-24000	Nut	4	AE
7-12	XOTWW40P08000	Screw : 4mm x 8mm	1	AB
7-13	LX-BZA002HREZ	Special screw	2	AC
7-14	XBTWW40P10000	Screw : 4mm x 10mm	4	AP
7-15	LX-CZA001URE0	Special screw	1	AC
7-16	LX-BZA144WREZ	Special screw	4	AB

## [2] DOOR AND CONTROL PANEL PARTS



Actual wire harness may be different than illustration.

NO.	PARTS CODE	DESCRIPTION	Q'TY	PRICE RANK
<b>[2] DOOR AND CONTROL PANEL PARTS</b>				
3-1	DPWB-A862DRKZ	Control unit	1	BM
3-3	PSHEPB474WREZ	Key sheet [R-678IN(W)]	1	AL
3-3	PSHEPB464WREZ	Key sheet [R-678VN(S)]	1	AL
3-3	PSHEPB464WREZ	key sheet [R-678VN(W)]	1	AL
3-3	PSHEPB475WREZ	Key sheet [R-678IN(S)]	1	AL
3-4	QSW-KA096DRZZ	FPC	1	AQ
3-5	HPNLCC229WRFZ	Control panel [R-678IN(W)] [R-678VN(W)]	1	AM
3-5	HPNLCC244WRTZ	Control panel [R-678VN(S)] [R-678IN(S)]	1	AT
3-7	XEPS730P08XS0	Screw : 3mm x 8mm	6	AB
<b>DOOR PARTS</b>				
5-1	FDORFA471WRTZ	Door panel assembly	1	AT
5-2	GWAKPB294WRRZ	Door frame [R-678IN(W)] [R-678VN(W)]	1	AS
5-2	GWAKPB313WRRZ	Door frame [R-678VN(S)] [R-678IN(S)]	1	AU
5-3	FHND-A003WRKZ	Door handle [R-678IN(W)] [R-678VN(W)]	1	AK
5-3	FHND-A005WRKZ	Door handle [R-678VN(S)] [R-678IN(S)]	1	AQ
5-4	LSTPPA211WRFZ	Latch head	1	AG
5-5	LSTPPA312WRFZ	Glass stoper	1	AF
5-6	MSPRTA187WRE0	Spring	1	AC
5-7	PGLSPA810WREZ	Door glass	1	AP
5-8	PSHEPB432WREZ	Sealer film	1	AL
5-9	GCOVHA424WRFZ	Choke cover	1	AK
5-10	XETS740P08000	Screw 4mm x 8 mm	2	AA
5-11	XETS740P10000	Screw 4mm x 10 mm	2	AA
<b>MISCELLANEOUS</b>				
6-4	TINSZA189WRRZ	Instruction book [R-678IN(W)] [R-678IN(S)]	1	AX
6-4	TINSZA206WRRZ	Instruction book [R-678VN(W)] [R-678VN(S)]	1	AX
6-5	FW-VZC235WREZ	Main wire harness	1	AT
6-7	TCAUSA017WRRZ	High temp caution	1	AL

## INDEX

PARTS CODE	No.	PRICE RANK	NEW MARK	PART RANK
<b>[ D ]</b>				
DPWBFC487WRUZ	2-3-1	BH		
DPWBFC494WRKZ	2-3-2	BF		
<b>[ F ]</b>				
FDORFA397WRTZ	2-5-1	BB		
FH-DZA115WRKZ	1-1-2	AR		
FOVN-A551WRTZ	1-4-5	BG		
FPWBFA387WRKZ	1-1-3	AW		
FROLPA101WRKZ	1-6-2	AR		
FW-VZB888WREZ	2-6-6	AU		
FW-VZC056WREZ	2-6-5	AQ		
<b>[ G ]</b>				
GCABUA958WRPZ	1-2-1	BE		
GCABUA966WRPZ	1-2-1	BE		
GCOVHA424WRFZ	2-5-9	AK		
GDAI-A377WRWZ	1-2-2	AS		
GLEGPA104WREZ	1-2-3	AF		
GMADIA144WRFZ	2-3-3	AG		
GWAKPA995WRFZ	2-5-2	AW		
GWAKPA996WRTZ	2-5-2	AX		
<b>[ H ]</b>				
HPNLCB933WRRZ	2-3-4	AT		
HPNLCB935WRRZ	2-3-4	AU		
<b>[ J ]</b>				
JBTN-B318WRRZ	2-3-5	AK		
JBTN-B321WRRZ	2-3-5	AH		
JHNDMA045WRTZ	2-5-3	AP		
JHNDMA047WRTZ	2-5-3	AP		
JKNBKA729WRFZ	2-3-6	AG		
JKNBKA730WRTZ	2-3-6	AG		
<b>[ L ]</b>				
LANGFA267WRPZ	1-4-6	AH		
LBNDKA168WRPZ	1-4-2	AD		
LSTPPA211WRFZ	2-5-4	AG		
LSTPPA231WRFZ	2-5-5	AG		
LX-CZ0052WRE0	1-7-4	AA		
LX-CZA073WRE0	1-7-6	AC		
LX-EZA042WRE0	1-7-5	AB		
<b>[ M ]</b>				
MSPRTA187WRE0	2-5-6	AC		
<b>[ N ]</b>				
NFANJA053WRFZ	1-4-3	AG		
NTNT-A034WRF0	1-6-1	AM		
<b>[ P ]</b>				
PCOVPA419WREZ	1-4-8	AG		
PCUSGA664WREZ	1-4-12	AF		
PCUSUA173WRP0	2-3-8	AC		

PARTS CODE	No.	PRICE RANK	NEW MARK	PART RANK
PCUSUA501WRP0	1-4-11	AB		
PDUC-A908WRWZ	1-4-4	AR		
PDUC-A909WRPZ	1-4-9	AN		
PGLSPA633WREZ	2-5-7	AR		
PHOK-A146WRFZ	1-4-1			
PPACGA176WREZ	1-4-10	AC		
PSHEPA782WREZ	2-5-8	AG		
PSPAJA007WRFZ	1-4-7	AF		
<b>[ Q ]</b>				
QACC-A075WRE0	1-1-1	AW		
QFS-CA027WRZZ	1-F1	AG		
QFS-IA004WRE0	1-F2	AK		
QFS-TA014WRE0	1-TF	AG		
QSW-MA085WRE0	1-SW1	AF		
"	1-SW3	AF		
QSW-MA086WRE0	1-SW2	AF		
QSW-MA137WRE0	1-SW1	AH		
"	1-SW3	AH		
QSW-MA138WRE0	1-SW2	AH		
QSW-MA147WRZZ	1-SW1	AG		
"	1-SW3	AG		
QSW-MA148WRZZ	1-SW2	AF		
<b>[ R ]</b>				
RC-QZA218WRE0	1-C	AW		
RC-QZA295WRZZ	1-C	AV		
RLMPTA083WRZZ	1-OL	AM		
RMOTDA173WRE0	1-TTM	AX		
RMOTDA253WRZZ	1-TTM	AV		
RMOTDA265WRZZ	1-TTM	AS		
RMOTEA390WRE0	1-FM	AW		
RMOTEA405WRZZ	1-FM	AX		
RTRN-A734WRZZ	1-T	BM		
RV-MZA341WRZZ	1-MG	BG		
<b>[ T ]</b>				
TCAUHA168WRR0	1-6-3	AH		
TINSZA133WRRZ	2-6-4	AP		
<b>[ X ]</b>				
XEPS730P08XS0	2-3-7	AA		
XEPS740P10000	1-7-2	AA		
"	2-5-10	AA		
XHPS740P08000	1-7-3	AB		
XHPS740P08K00	1-7-1	AB		
XHTS740P08RV0	1-7-7	AG		
XOTS740P08000	1-7-8	AA		
XOTS740P12000	1-7-10	AA		
XOTS740P12RV0	1-7-9	AD		

# SHARP

COPYRIGHT© 2009 BY SHARP CORPORATION

ALL RIGHTS RESERVED.

No part of this publication may be reproduced, stored in retrieval systems, or transmitted in any form or by any means, electronic, mechanical, photocopying, recording, or otherwise, without prior written permission of the publisher.